

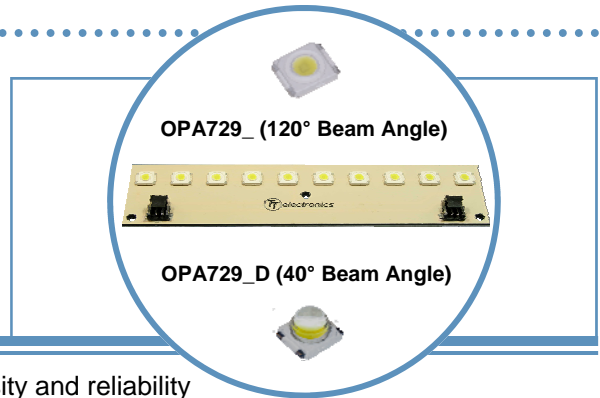
# OPA729 Series

## 10 Watt Light Bar on Another Linear Heat Spreader



### OPA729 Series

- 10, 1 watt LEDs per strip, can be linked with other OPA729's
- Mono-color per strip (Blue, Green, Red, Yellow, White)
- Two component beam angle options (120° or 40°)
- Power connected to either end
- Universal connector (Tyco 2-292173-2 mates with 173977-2)
- RoHS Compliant

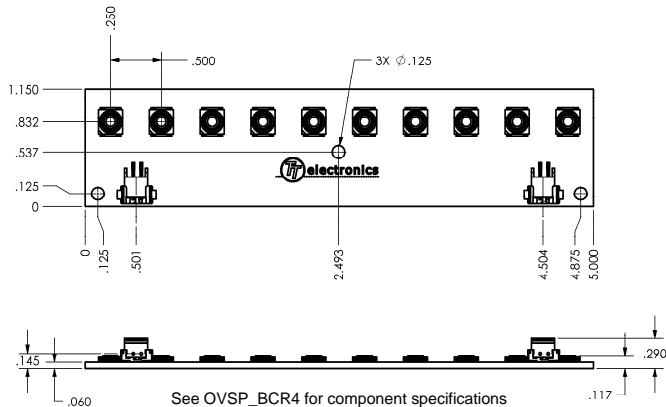


The **OPA729** Series are designed for areas where lighting intensity and reliability are essential. The light beam angles of 40° and 120° are ideal for illuminating small and medium size areas while requiring minimal space. A patented substrate is used to ensure the best heat dissipation of any light assembly in the industry.

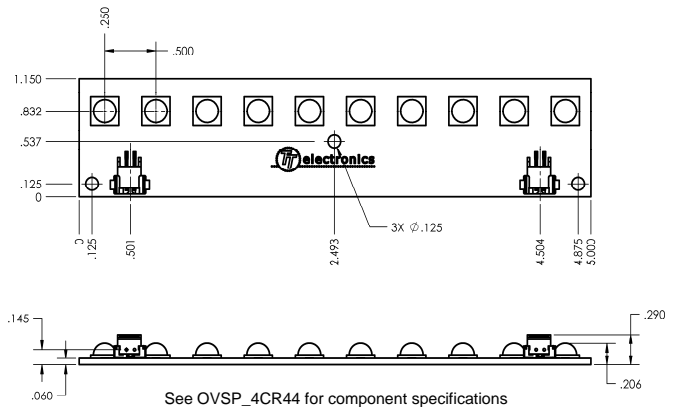
For custom colors and design contact your OPTEK representative.

### Electrical / Optical Characteristics: $T_A=25^{\circ}\text{C}$ , $I_F=700\text{mA}$

Part Number	Typical Forward Voltage (V)	Luminous Flux (lm)	Beam Angle	Color	Dominant Wavelength
OPA729Y	12.5	350	120°	Yellow	587 nm
OPA729B	18.0	90		Blue	470 nm
OPA729G	18.0	480		Green	530 nm
OPA729R	12.5	260		Red	625 nm
OPA729W	18.0	480		White	6,500°K
OPA729YD	12.5	350	40°	Yellow	587 nm
OPA729BD	18.0	90		Blue	470 nm
OPA729GD	18.0	480		Green	530 nm
OPA729RD	12.5	260		Red	625 nm
OPA729WD	18.0	480		White	6,500°K



**OPA729\_**



**OPA729\_D**



**DO NOT LOOK DIRECTLY AT LED WITH UNSHIELDED EYES OR DAMAGE TO RETINA MAY OCCUR.**

OPTEK reserves the right to make changes at any time in order to improve design and to supply the best product possible.