

# Resistance Weld SMD Crystal



Model: HC49SDLF

RoHS Compliant / Pb Free

Rev. 5/5/2014

Page 1 of 3

[http://www.foxonline.com/need\\_a\\_sample.htm](http://www.foxonline.com/need_a_sample.htm)



## FEATURES

- Stock Standard (see page 2)
- Fundamental to 40 MHz
- Tape and Reel (1,000 pcs. STD)
- Tolerances to 10 PPM
- Stabilities to 5 PPM
- Temperatures to -55°C ~ +125°C
- 3.2mm Height Max (HC49SSDLF)

## OPTIONS

• PART NUMBER		
Part Number	Model Number	Frequency Range (MHz)
278LF-Frequency-xxxxx	HC49SDLF	3.200 ~ 80.000

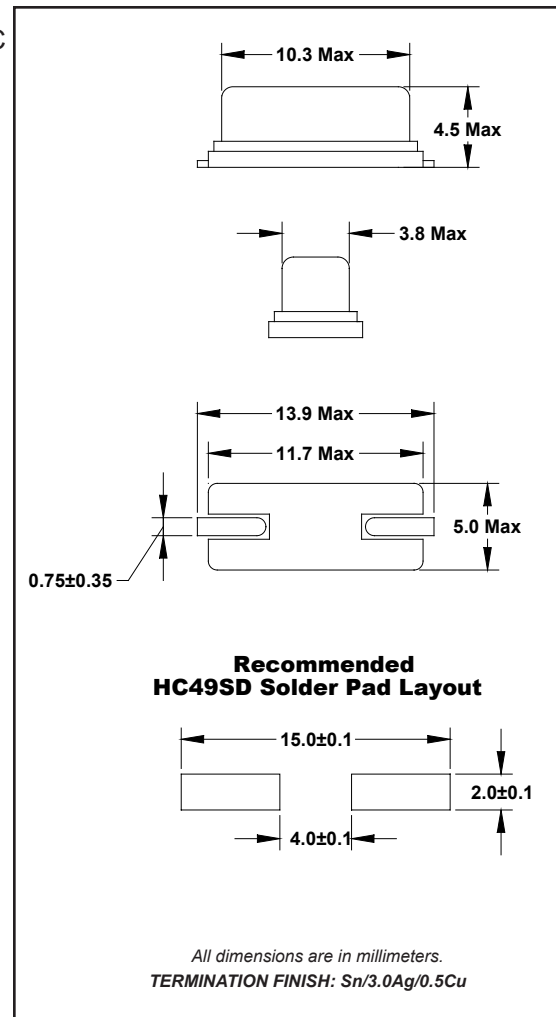
• STANDARD SPECIFICATIONS <sup>1</sup>	
PARAMETERS	MAX (unless otherwise noted)
Frequency Range	3.200 ~ 80.000 MHz
Frequency Tolerance @ 25°C	±50 PPM <sup>1,3</sup>
Frequency Stability, ref @ 25°C	±50 PPM <sup>1</sup>
Temperature Range	
Operating (TOPR)	-20°C ~ +70°C <sup>2</sup>
Storage (TSTG)	-40°C ~ +125°C
Shunt Capacitance (Co)	7pF
Load Capacitance (CL)	10 pF ~ Series (Customer Specified)
Drive Level	100uW
Aging per year	±3 PPM
Maximum Soldering Temp / Time	260°C / 10 Seconds
Moisture Sensitivity Level (MSL)	1
Termination Finish:	Sn/Ag/Cu

<sup>1</sup> Other tolerances, stabilities available. Consult Fox Customer Service for specific requirements.

<sup>2</sup> Operating temperature ranges to -55°C ~ +125°C available.

<sup>3</sup> Crystal has a ±30ppm tolerance specification for all standard part numbers. These part numbers are listed on page 2 of this datasheet.

Note: Dimensional drawing is for reference to critical specifications defined by size measurements. Certain non-critical visual attributes, such as side castellations, etc. may vary. All specifications subject to change without notice.



Frequency Range (MHz)	Operating Mode	Max ESR Ω
3.200 ~ 3.500	Fundamental	300
3.500+ ~ 4.000	Fundamental	200
4.000+ ~ 5.000	Fundamental	150
5.000+ ~ 6.000	Fundamental	120
6.000+ ~ 7.000	Fundamental	100
7.000+ ~ 9.000	Fundamental	80
9.000+ ~ 13.000	Fundamental	60
13.000+ ~ 20.000	Fundamental	40
20.000+ ~ 40.000	Fundamental	30
27.000 ~ 70.000	3rd OT	100
70.000+ ~ 80.000	3rd OT	80

# Resistance Weld SMD Crystal



Model: HC49SDLF

RoHS Compliant / Pb Free

Rev. 5/5/2014

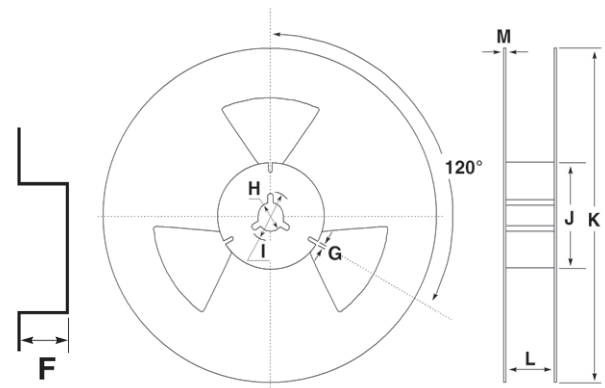
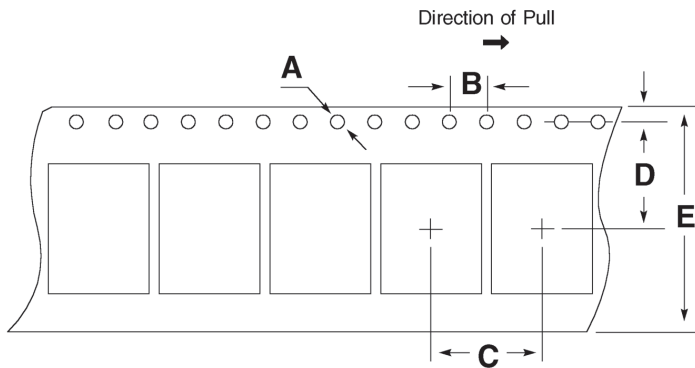
Page 2 of 3

[http://www.foxonline.com/need\\_a\\_sample.htm](http://www.foxonline.com/need_a_sample.htm)



• TAPE SPECIFICATIONS (millimeters)							
MODEL	A	B	C	D	E	F	STD Reel QTY
HC49SDLF	∅1.5	4.0	12.0	11.5	24.0	4.8	1,000

• REEL SPECIFICATIONS (millimeters)							
MODEL	G	H	I	J	K	L	M
HC49SDLF	2.0	∅13	∅21	∅80	∅330	25.5	2.0



# Resistance Weld SMD Crystal



Model: HC49SDLF

RoHS Compliant / Pb Free

Rev. 5/5/2014

Page 3 of 3

[http://www.foxonline.com/need\\_a\\_sample.htm](http://www.foxonline.com/need_a_sample.htm)



All specifications subject to change without notice.

• HC49SDLF Standard Crystals					
Part Number	Frequency	Tolerance	Stability	Temp Range	CL
FOXSDLF/036S	3.579545	+/- 30 ppm	+/- 50 ppm	-20 to +70 C	18pF
FOXSDLF/0368-20	3.686400	+/- 30 ppm	+/- 50 ppm	-20 to +70 C	20pF
FOXSDLF/040	4.000000	+/- 30 ppm	+/- 50 ppm	-20 to +70 C	20pF
FOXSDLF/041	4.194304	+/- 30 ppm	+/- 50 ppm	-20 to +70 C	20pF
FOXSDLF/049-20	4.915200	+/- 30 ppm	+/- 50 ppm	-20 to +70 C	20pF
FOXSDLF/060-20	6.000000	+/- 30 ppm	+/- 50 ppm	-20 to +70 C	20pF
FOXSDLF/073-20	7.372800	+/- 30 ppm	+/- 50 ppm	-20 to +70 C	20pF
FOXSDLF/080-20	8.000000	+/- 30 ppm	+/- 50 ppm	-20 to +70 C	20pF
FOXSDLF/081-20	8.192000	+/- 30 ppm	+/- 50 ppm	-20 to +70 C	20pF
FOXSDLF/100-20	10.000000	+/- 30 ppm	+/- 50 ppm	-20 to +70 C	20pF
FOXSDLF/115-20	11.059200	+/- 30 ppm	+/- 50 ppm	-20 to +70 C	20pF
FOXSDLF/120-20	12.000000	+/- 30 ppm	+/- 50 ppm	-20 to +70 C	20pF
FOXSDLF/128-20	12.288000	+/- 30 ppm	+/- 50 ppm	-20 to +70 C	20pF
FOXSDLF/143-20	14.318180	+/- 30 ppm	+/- 50 ppm	-20 to +70 C	20pF
FOXSDLF/147-20	14.745600	+/- 30 ppm	+/- 50 ppm	-20 to +70 C	20pF
FOXSDLF/160-20	16.000000	+/- 30 ppm	+/- 50 ppm	-20 to +70 C	20pF
FOXSDLF/200-20	20.000000	+/- 30 ppm	+/- 50 ppm	-20 to +70 C	20pF
FOXSDLF/221-20	22.118400	+/- 30 ppm	+/- 50 ppm	-20 to +70 C	20pF
FOXSDLF/240F-20	24.000000	+/- 30 ppm	+/- 50 ppm	-20 to +70 C	20pF
FOXSDLF/245F-20	24.576000	+/- 30 ppm	+/- 50 ppm	-20 to +70 C	20pF
FOXSDLF/250F-20	25.000000	+/- 30 ppm	+/- 50 ppm	-20 to +70 C	20pF
FOXSDLF/0368R-20	3.686400	+/- 30 ppm	+/- 50 ppm	-40 to +85 C	20pF
FOXSDLF/040R	4.000000	+/- 30 ppm	+/- 50 ppm	-40 to +85 C	20pF
FOXSDLF/060R-20	6.000000	+/- 30 ppm	+/- 50 ppm	-40 to +85 C	20pF
FOXSDLF/073R-20	7.372800	+/- 30 ppm	+/- 50 ppm	-40 to +85 C	20pF
FOXSDLF/080R-20	8.000000	+/- 30 ppm	+/- 50 ppm	-40 to +85 C	20pF
FOXSDLF/100R-20	10.000000	+/- 30 ppm	+/- 50 ppm	-40 to +85 C	20pF
FOXSDLF/115R-20	11.059200	+/- 30 ppm	+/- 50 ppm	-40 to +85 C	20pF
FOXSDLF/120R-20	12.000000	+/- 30 ppm	+/- 50 ppm	-40 to +85 C	20pF
FOXSDLF/143R-20	14.318180	+/- 30 ppm	+/- 50 ppm	-40 to +85 C	20pF
FOXSDLF/160R-20	16.000000	+/- 30 ppm	+/- 50 ppm	-40 to +85 C	20pF
FOXSDLF/200R-20	20.000000	+/- 30 ppm	+/- 50 ppm	-40 to +85 C	20pF
FOXSDLF/240FR-20	24.000000	+/- 30 ppm	+/- 50 ppm	-40 to +85 C	20pF
FOXSDLF/245FR-20	24.576000	+/- 30 ppm	+/- 50 ppm	-40 to +85 C	20pF
FOXSDLF/250FR-20	25.000000	+/- 30 ppm	+/- 50 ppm	-40 to +85 C	20pF

# Mouser Electronics

Authorized Distributor

Click to View Pricing, Inventory, Delivery & Lifecycle Information:

## Fox:

[FOXSDLF/0368-20](#) [FOXSDLF/073-20](#) [FOXSDLF/080-20](#) [FOXSDLF/081-20](#) [FOXSDLF/100-20](#) [FOXSDLF/115-20](#)  
[FOXSDLF/120-20](#) [FOXSDLF/143-20](#) [FOXSDLF/147-20](#) [FOXSDLF/036S](#) [FOXSDLF/040](#) [FOXSDLF/041](#)  
[FOXSDLF/049-20](#) [FOXSDLF/060-20](#) [FOXSDLF/128-20](#) [FOXSDLF/184-20](#) [FOXSDLF/221-20](#) [FOXSDLF/240F-20](#)  
[FOXSDLF/245F-20](#) [FOXSDLF/250F-20](#) [FOXSDLF/160-20](#) [FOXSDLF/200-20](#) [FOXSDLF/098-20TR](#) [FOXSDLF200-18](#)  
[HC49SDLF-24.0MHz](#) [HC49SDLF-8.00MHz](#) [FOXSLF/036864-20](#) [FOXSDLF/073R-20/TR](#) [FOXSDLF/160R-20/TR](#)  
[FOXSDLF/0368R-20/TR](#) [FOXSDLF/060R-20/TR](#) [FOXSDLF/240FR-20/TR](#) [FOXSDLF/245FR-20/TR](#) [FOXSDLF/120R-](#)  
[20/TR](#) [FOXSDLF/080R-20/TR](#) [FOXSDLF/100R-20/TR](#) [FOXSDLF/200R-20/TR](#) [FOXSDLF/115R-20/TR](#)  
[FOXSDLF/250FR-20/TR](#) [FOXSDLF/143R-20/TR](#) [FOXSDLF/040R/TR](#)