

1

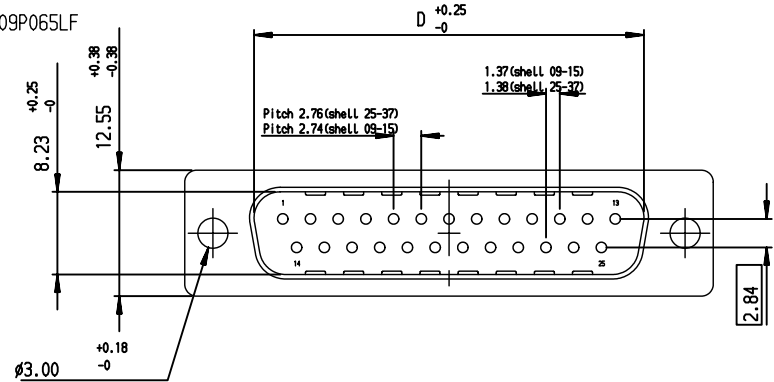
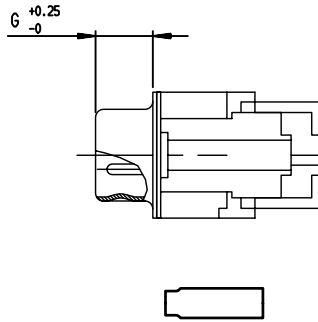
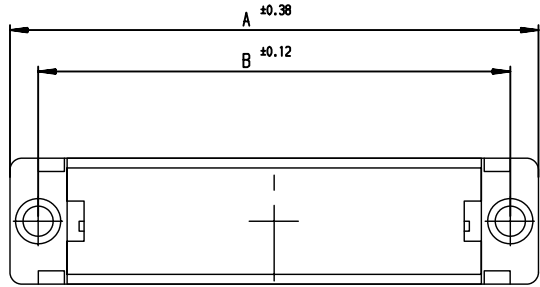
2

3

4

MARKING

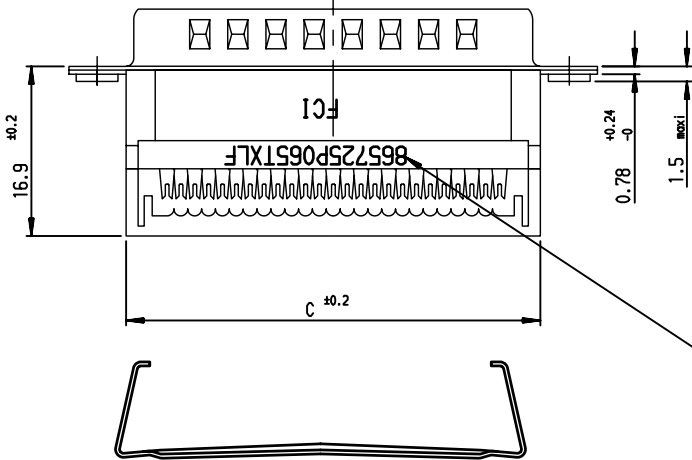
-Complete reference+FCI for shells 15-25-37
 -Partial reference+FCI for shells 9: 865709P065LF
 with or without accessories



A

2:1

METAL STRAIN RELIEF



SEE NOTE

SHELL	A ± 0.38	B ± 0.12	C ± 0.20	D +0.25/-0	G +0.25/-0	PART NUMBER
09	30.81	24.99	19.27	16.79	5.90	865709P065TSLF
15	39.14	33.32	27.50	25.12	5.90	865715P065TSLF
25	53.03	47.04	41.27	38.84	5.70	865725P065TSLF
37	69.32	63.50	57.70	55.30	5.70	865737P065TSLF

NOTE:RoHS INFORMATIONS

- The "LF" product meets European union Directives and other country regulations as described in GS-22-008.
- The product is not intended to be exposed to a manufacturing solder process.
- Packaging spec: see GS-14-920.

ELECTRICAL DATA

- Max current rating per contacts: 1.5A
- Contact resistance ≤10mΩ
- Insulation resistance ≥5000MΩ
- TEST VOLTAGE contact/contact ≥1000V
- Finish on contact area:gold over nickel
- Finish on terminaison end : bright pure tin over nickel

ENVIRONMENTAL DATA

- Climatic category -55° C/125° C/21j
- Corrosion salt spray:24h

European Views

www.fciconnect.com		surface ISO 1302	tolerance std ISO 406 ISO 1101	projection mm
		TOLERANCES UNLESS OTHERWISE SPECIFIED		
Dr	M. PESSON	2006/03/11	0.X	±0.1
Eng	M. PESSON	2006/03/11	0.XX	±0.1
Chr	LEGARRE	2006/03/11	0.XXX	±0.1
Appr	LEGARRE	2006/03/11	Product family D-SUB Spec ref -	
rev	ecn no	dr	date	
A	LS06-0022	MPE	2006/03/11	
B	LS06-0095	LGO	2006/06/23	
C	LS07-0041	MPE	2007/02/12	
D	LS07-0162	MPE	2007/06/12	
FCI		IDC CONNECTOR 8657		dwg no
FOR FLAT CABLE		A3		C01-8657-0609
catalog no		CUSTOMER		sheet 1 of 1

Copyright FCI.

1

2

3

4