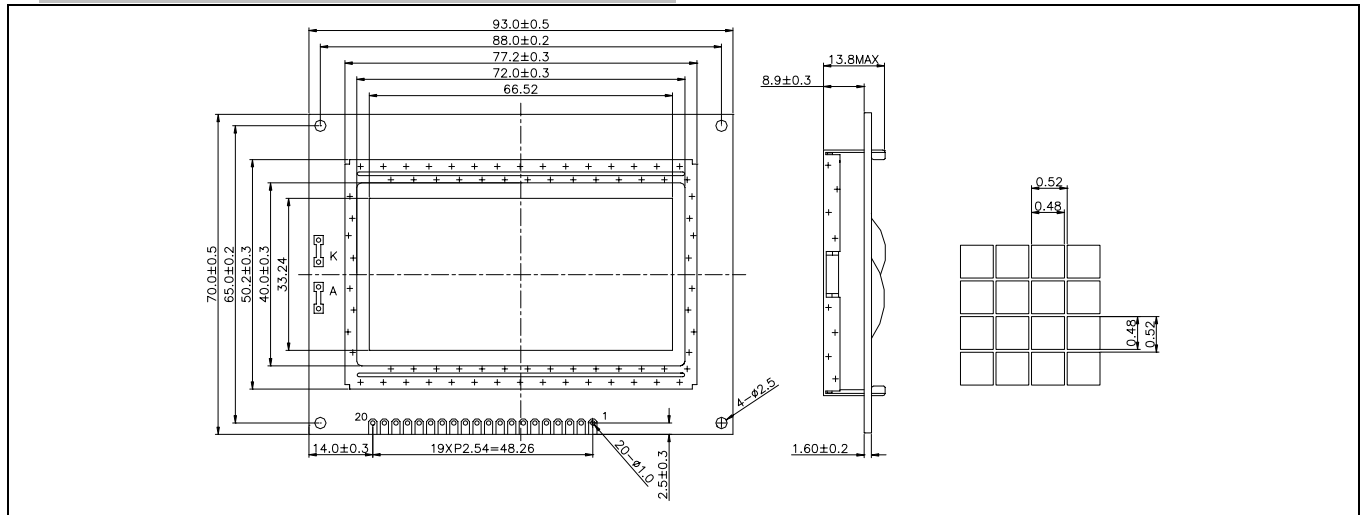


# HE126XX05

## 1. EXTERNAL DIMENSION AND DISPLAY PATTERN



## 2. MECHANICAL DATA

ITEM	SPECIFICATION	UNIT
Module Size (W×H×T)	93.0×70.0×13.8	mm
Viewing Area (W×H)	72.0×40.0	mm
Number of Dots (W×H)	128×64	dots
Dot Pitch (W×H)	0.52×0.52	mm
Dot Size (W×H)	0.48×0.48	mm

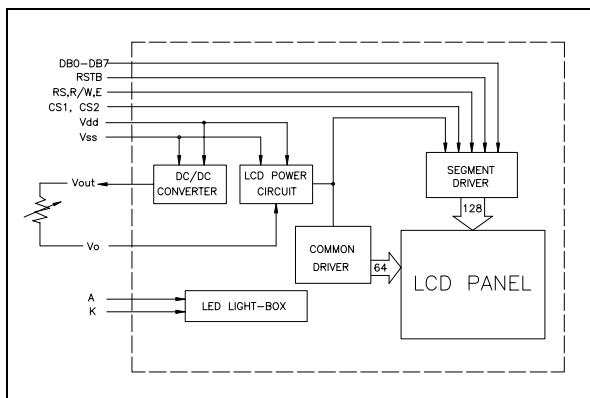
## 3. ELECTRICAL CHARACTERISTICS (Ta=25 °C)

ITEM	SYMBOL	CONDITION	SPEC. VALUE			UNIT
			MIN.	TYP.	MAX.	
Supply Voltage (Logic)	V <sub>DD</sub> -V <sub>SS</sub>		4.5	5.0	5.5	V
Supply Current (Logic)	I <sub>DD</sub>	V <sub>DD</sub> =5V	-	9.5	14.3	mA
Input Voltage	"HIGH"	V <sub>IH</sub>	-	0.7V <sub>DD</sub>	-	V <sub>DD</sub> V
	"LOW"	V <sub>IL</sub>	-	0	-	0.3V <sub>DD</sub> V
Output Voltage	"HIGH"	V <sub>OH</sub>	-I <sub>OH</sub> =0.205mA	2.4	-	- V
	"LOW"	V <sub>OL</sub>	I <sub>OL</sub> =1.6mA	-	-	0.4 V
LCD Operating Voltage	V <sub>DD</sub> - V <sub>o</sub>	V <sub>DD</sub> =5V, Ta=25 °C	-	12.5	-	V
Supply Voltage LCD Drive	I <sub>o</sub>		-	3.0	4.5	mA

## 4. PIN CONFIGURATION

PIN	SYMBOL	SIGNAL DESCRIPTION	PIN	SYMBOL	SIGNAL DESCRIPTION
1	V <sub>SS</sub>	GND (0V)	11	DB <sub>4</sub>	Data Bit 4
2	V <sub>DD</sub>	Power Supply	12	DB <sub>5</sub>	Data Bit 5
3	V <sub>o</sub>	Supply Voltage LCD Driving	13	DB <sub>6</sub>	Data Bit 6
4	RS	Register Select Low = Instruction, High = Data	14	DB <sub>7</sub>	Data Bit 7
5	R/W	H : Read (Module→MPU), L : Write (MPU→Module)	15	CS1	Chip Select Signal for IC1
6	E	Enable	16	CS2	Chip Select Signal for IC2
7	DB <sub>0</sub>	Data Bit 0	17	/RES	Reset Signal
8	DB <sub>1</sub>	Data Bit 1	18	V <sub>out</sub>	Power supply for LCD
9	DB <sub>2</sub>	Data Bit 2	19	A	Anode of LED Unit
10	DB <sub>3</sub>	Data Bit 3	20	K	Cathode of LED Unit

## 5. BLOCK DIAGRAM



## 6. BACKLIGHTING CHARACTERISTICS (Ta=25 °C)

ITEM	SYMBOL	CONDITION	MIN	TYP	MAX	UNIT
Supply Voltage	V <sub>LED</sub>	-	-	4.1	4.3	V
Power Consumption	P <sub>LED</sub>	I <sub>F</sub> =360mA	-	1476	-	mW
Luminous	I <sub>V</sub>	I <sub>F</sub> =360mA	-	230	-	cd/m <sup>2</sup>