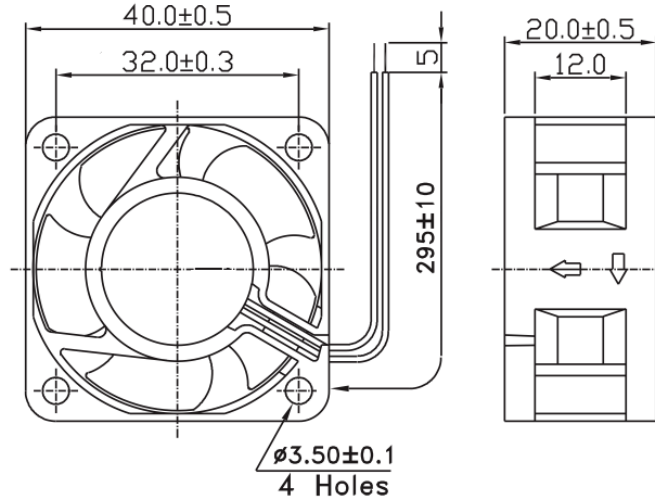


# OD4020 Series



DC Fan - 5, 12, 24V  
40x20mm (1.58"x 0.79")



Frame & Impeller	PBT, UL94V-O plastic	
Connection	2x Lead wires 26AWG	
Motor	Brushless DC, auto restart, impedance and polarity protected	
Bearing System	Ball bearing	
Insulation Resistance	10M ohm between leadwire and frame (500VDC)	
Dielectric Strength	1 second at 500 VAC, max leakage - 500 MicroAmp	
Storage Temperature	-30C ~ +90C	

Model Number	Speed (RPM)	Airflow (CFM)	Noise (dB)	Volts DC	Voltage Range (VDC)	Amps	Max. Static Pressure ("H2O)
OD4020-05HB	7800	9	32	5	4.5 ~ 5.5	0.29	0.30
OD4020-05MB	6500	7.3	28	5	4.5 ~ 5.5	0.16	0.19
OD4020-05LB	6000	6.8	29	5	4.5 ~ 5.5	0.14	0.15
OD4020-12HB	7800	9	32	12	7 ~ 14	0.10	0.30
OD4020-12MB	6900	8	28	12	7 ~ 14	0.08	0.24
OD4020-12LB	6200	7	24	12	7 ~ 14	0.07	0.19
OD4020-24HB	7800	9	32	24	10 ~ 27	0.09	0.30
OD4020-24MB	6900	8	28	24	10 ~ 27	0.07	0.24
OD4020-24LB	6200	7	24	24	10 ~ 27	0.06	0.19

Life Expectancy (L10)  
Ball - 60,000 hrs (45C)

Operating Temperature  
Ball: -20 ~ 80C

**Available Options:**

- Sleeve Bearing
- Sealed Sleeve Bearing
- Tachometer
- Alarm
- Thermal control

10557 Metric Drive  
Dallas, Texas 75243  
214-340-0265



OrionFans.com  
Information and data is subject to change without prior notification.

# Mouser Electronics

Authorized Distributor

Click to View Pricing, Inventory, Delivery & Lifecycle Information:

## Orion Fans:

[OD4020-05HS](#) [OD4020-05LS](#) [OD4020-24LS](#) [OD4020-24MS](#) [OD4020-05MS](#) [OD4020-12LS](#) [OD4020-12MS](#)