

0.50mm (0.02") PITCH CONNECTOR

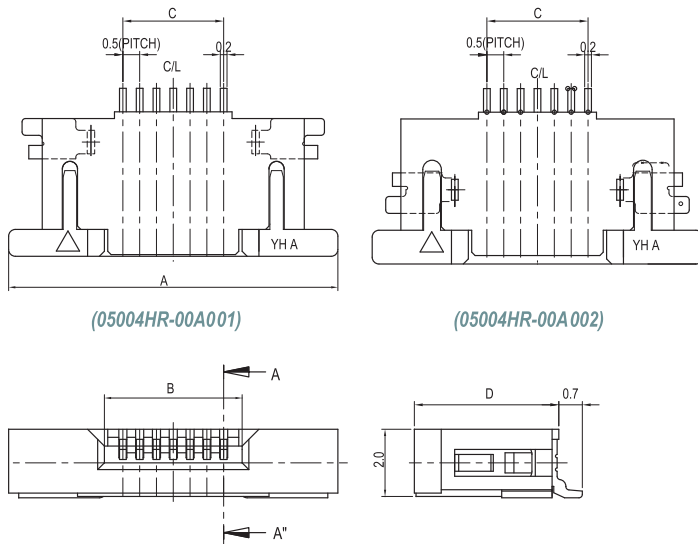
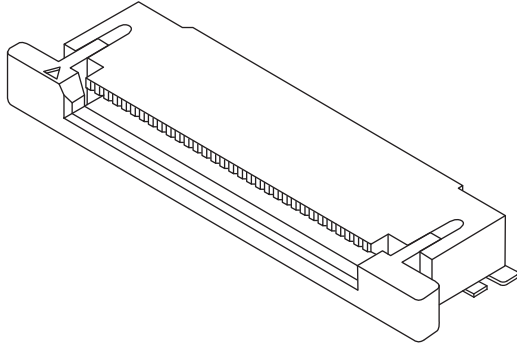


FPC/FFC Connector Housing

05004HR-00A01/2 Series

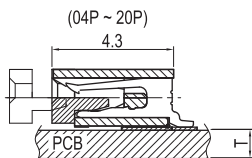
SMT, ZIF (Top Contact Type)

Right Angle

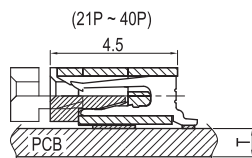


PCB LAYOUT (05004HR-00A001)

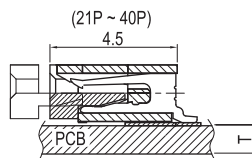
PCB LAYOUT (05004HR-00A002)



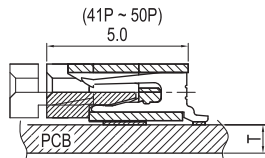
PCB ASS'Y, (05004HR-00A001)



PCB ASS'Y, (05004HR-00A002)



PCB ASS'Y, (05004HR-00A001)



PCB ASS'Y, (05004HR-00A002)

Material

| I/NO | DESCRIPTION | TITLE | MATERIAL |
|------|-------------|---------|---------------------------------|
| 1 | HOUSING | 05004HR | PA46, PA6T or LCP, UL 94V Grade |
| 2 | ACTUATOR | 05004AS | PPS, UL 94V Grade |
| 3 | TERMINAL | 05004TR | Phosphor Bronze & Tin plated |
| 4 | HOOK | 05006LR | Phosphor Bronze & Tin plated |

Available Pin

| PARTS NO. | A | B | C | D |
|-----------------|------|------|------|-----|
| 05004HR-04A01/2 | 8.3 | 2.5 | 1.5 | 4.3 |
| 05004HR-05A01/2 | 8.8 | 3.0 | 2.0 | 4.3 |
| 05004HR-06A01/2 | 9.3 | 3.5 | 2.5 | 4.3 |
| 05004HR-07A01/2 | 9.8 | 4.0 | 3.0 | 4.3 |
| 05004HR-08A01/2 | 10.3 | 4.5 | 3.5 | 4.3 |
| 05004HR-09A01/2 | 10.8 | 5.0 | 4.0 | 4.3 |
| 05004HR-10A01/2 | 11.3 | 5.5 | 4.5 | 4.3 |
| 05004HR-11A01/2 | 11.8 | 6.0 | 5.0 | 4.3 |
| 05004HR-12A01/2 | 12.3 | 6.5 | 5.5 | 4.3 |
| 05004HR-13A01/2 | 12.8 | 7.0 | 6.0 | 4.3 |
| 05004HR-14A01/2 | 13.3 | 7.5 | 6.5 | 4.3 |
| 05004HR-15A01/2 | 13.8 | 8.0 | 7.0 | 4.3 |
| 05004HR-16A01/2 | 14.3 | 8.5 | 7.5 | 4.3 |
| 05004HR-17A01/2 | 14.8 | 9.0 | 8.0 | 4.3 |
| 05004HR-18A01/2 | 15.3 | 9.5 | 8.5 | 4.3 |
| 05004HR-19A01/2 | 15.8 | 10.0 | 9.0 | 4.3 |
| 05004HR-20A01/2 | 16.3 | 10.5 | 9.5 | 4.3 |
| 05004HR-21A01/2 | 16.8 | 11.0 | 10.0 | 4.5 |
| 05004HR-22A01/2 | 17.3 | 11.5 | 10.5 | 4.5 |
| 05004HR-23A01/2 | 17.8 | 12.0 | 11.0 | 4.5 |
| 05004HR-24A01/2 | 18.3 | 12.5 | 11.5 | 4.5 |
| 05004HR-25A01/2 | 18.8 | 13.0 | 12.0 | 4.5 |
| 05004HR-26A01/2 | 19.3 | 13.5 | 12.5 | 4.5 |
| 05004HR-27A01/2 | 19.8 | 14.0 | 13.0 | 4.5 |
| 05004HR-28A01/2 | 20.3 | 14.5 | 13.5 | 4.5 |
| 05004HR-29A01/2 | 20.8 | 15.0 | 14.0 | 4.5 |
| 05004HR-30A01/2 | 21.3 | 15.5 | 14.5 | 4.5 |
| 05004HR-31A01/2 | 21.8 | 16.0 | 15.0 | 4.5 |
| 05004HR-32A01/2 | 22.3 | 16.5 | 15.5 | 4.5 |
| 05004HR-33A01/2 | 22.8 | 17.0 | 16.0 | 4.5 |
| 05004HR-34A01/2 | 23.3 | 17.5 | 16.5 | 4.5 |
| 05004HR-35A01/2 | 23.8 | 18.0 | 17.0 | 4.5 |
| 05004HR-36A01/2 | 24.3 | 18.5 | 17.5 | 4.5 |
| 05004HR-37A01/2 | 24.8 | 19.0 | 18.0 | 4.5 |
| 05004HR-38A01/2 | 25.3 | 19.5 | 18.5 | 4.5 |
| 05004HR-39A01/2 | 25.8 | 20.0 | 19.0 | 4.5 |
| 05004HR-40A01/2 | 26.3 | 20.5 | 19.5 | 4.5 |
| 05004HR-41A01/2 | 26.8 | 21.0 | 20.0 | 5.0 |
| 05004HR-42A01/2 | 27.3 | 21.5 | 20.5 | 5.0 |
| 05004HR-43A01/2 | 27.8 | 22.0 | 21.0 | 5.0 |
| 05004HR-44A01/2 | 28.3 | 22.5 | 21.5 | 5.0 |
| 05004HR-45A01/2 | 28.8 | 23.0 | 22.0 | 5.0 |
| 05004HR-46A01/2 | 29.3 | 23.5 | 22.5 | 5.0 |
| 05004HR-47A01/2 | 29.8 | 24.0 | 23.0 | 5.0 |
| 05004HR-48A01/2 | 30.3 | 24.5 | 23.5 | 5.0 |
| 05004HR-49A01/2 | 30.8 | 25.0 | 24.0 | 5.0 |
| 05004HR-50A01/2 | 31.3 | 25.5 | 24.5 | 5.0 |

Specification

| ITEM | SPEC |
|------------------------|---------------|
| Voltage Rating | AC/DC 50V |
| Current Rating | AC/DC 0.5A |
| Operating Temperature | -25°C ~ +85°C |
| Contact Resistance | 30mΩ MAX |
| Withstanding Voltage | AC500V/1min |
| Insulation Resistance | 100MΩ MIN |
| Applicable Wire | - |
| Applicable P.C.B | 0.8 ~ 1.6mm |
| Applicable FPC/FFC | 0.30±0.05mm |
| Solder Height | 0.15mm |
| Crimp Tensile Strength | - |
| UL FILE NO | - |