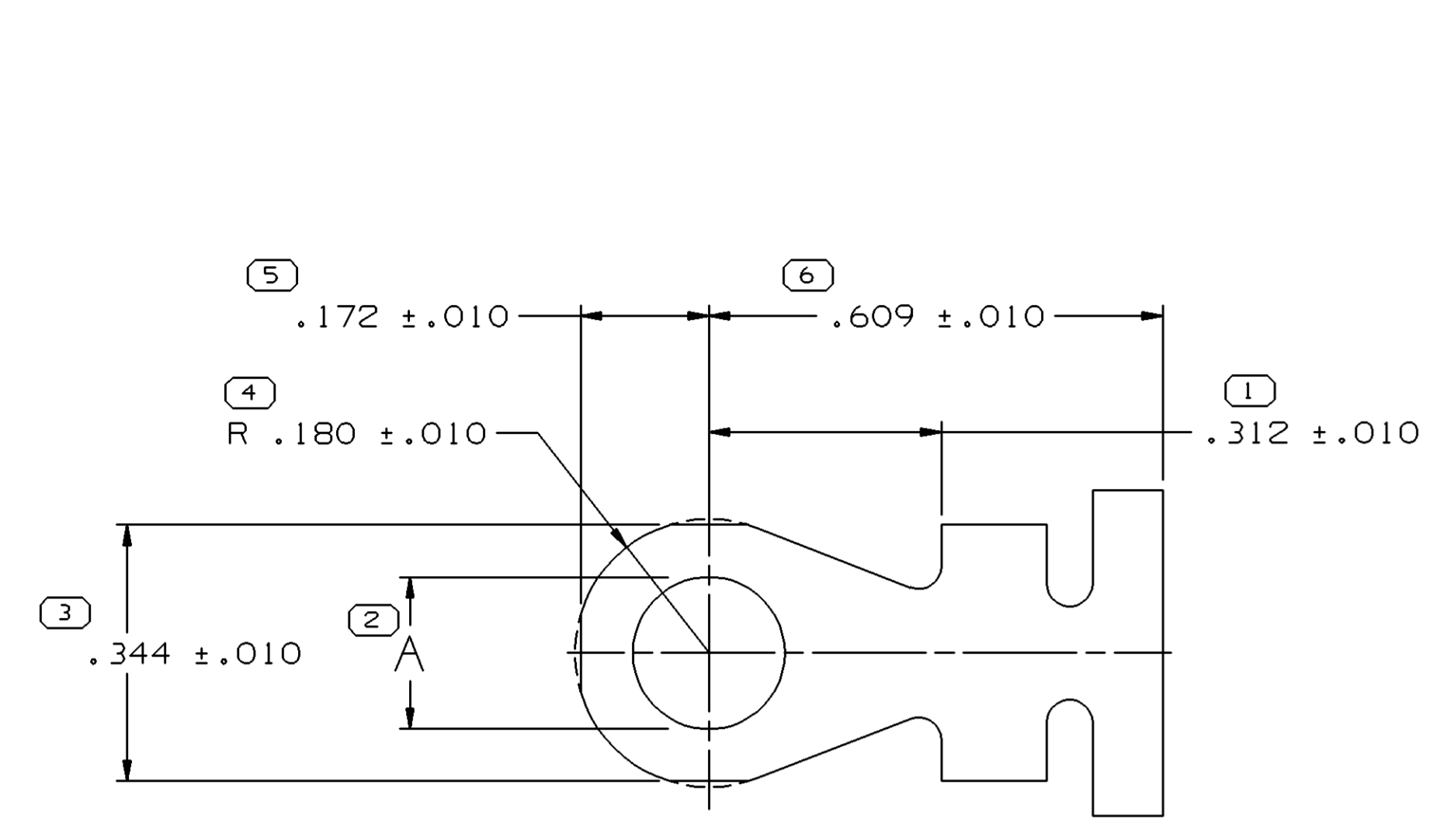
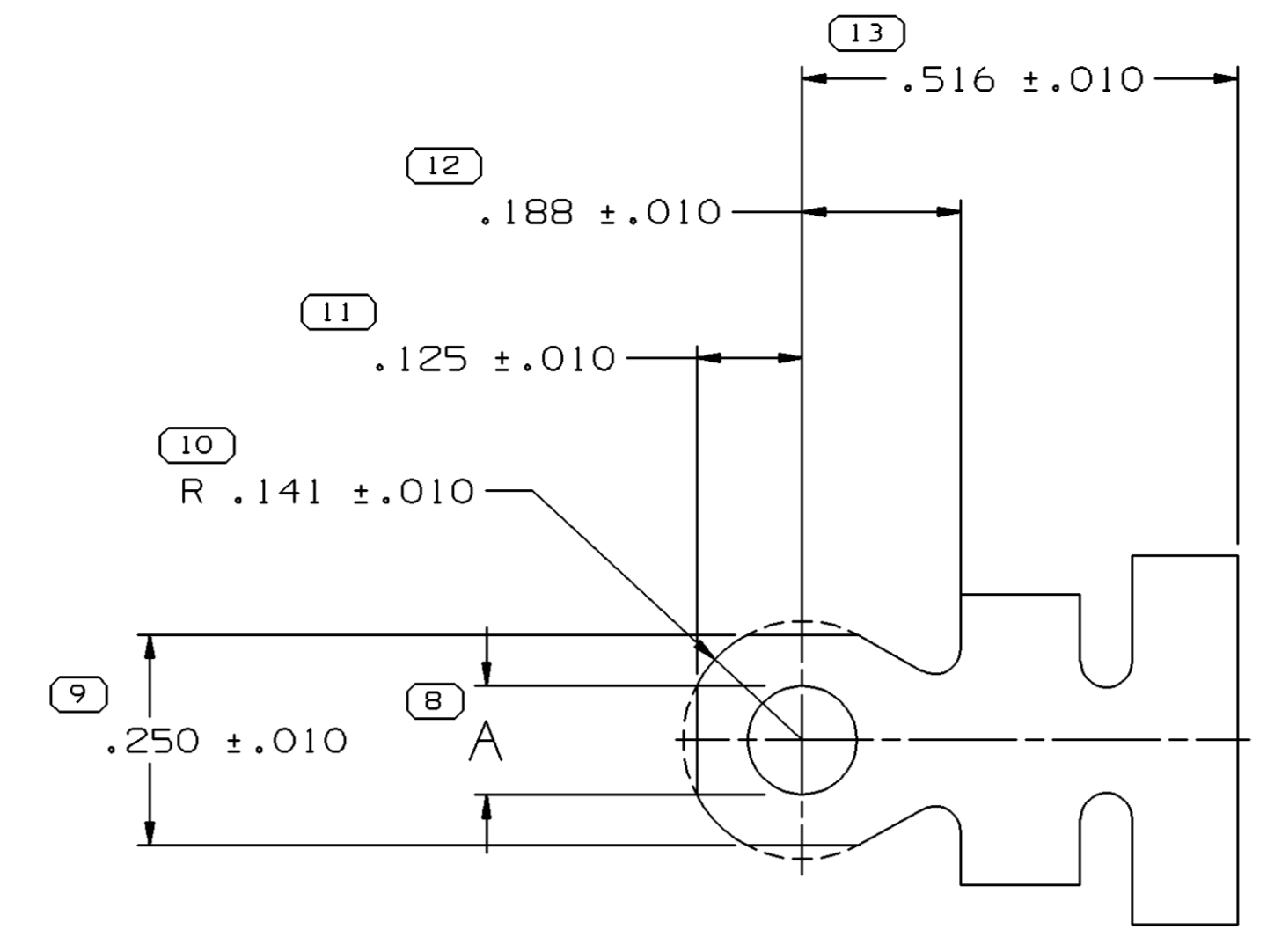


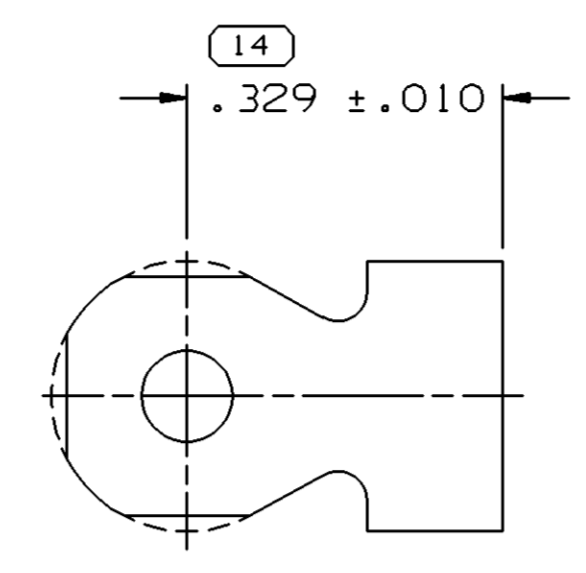
SYMBOL DEFINITION		MISSING SYMBOLS		REVISION HISTORY				AUTH		DR		APVD					
A DIMENSION WITHOUT AN INSPECTION REPORT SYMBOL DOES NOT REQUIRE INSPECTION. IT MAY BE CONTROLLED ON THE INDIVIDUAL COMPONENT DRAWING.		TOTAL NO OF INSPECTIONS REQUIRED	14	NO MISSING SYMBOL NUMBER		DATE	STG	REV	N/P	CHO	ZONE		ALL PARTS - WERE SEPARATE DWGS	252417	JVM	JVM	EH
		LAST NO. USED	14														



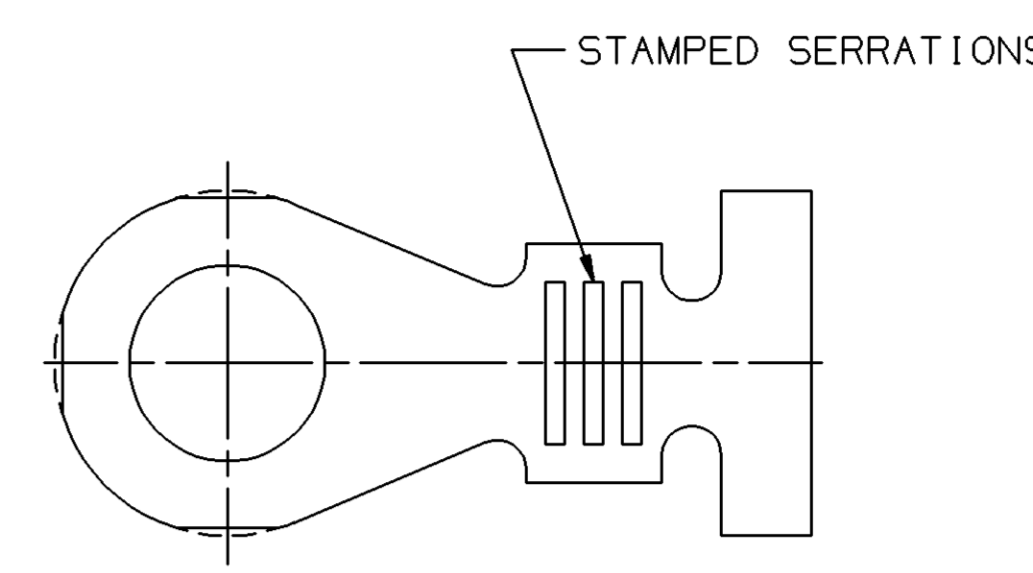
TYPE 501  
BLANK VIEW (APPROX)



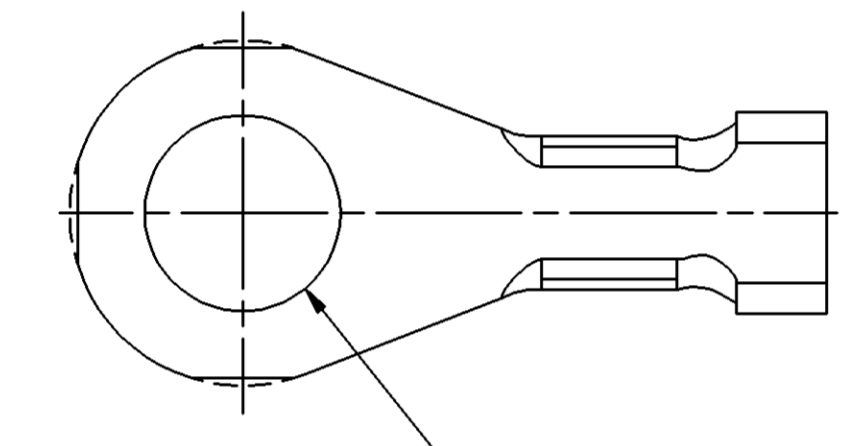
TYPE 502  
BLANK VIEW (APPROX)



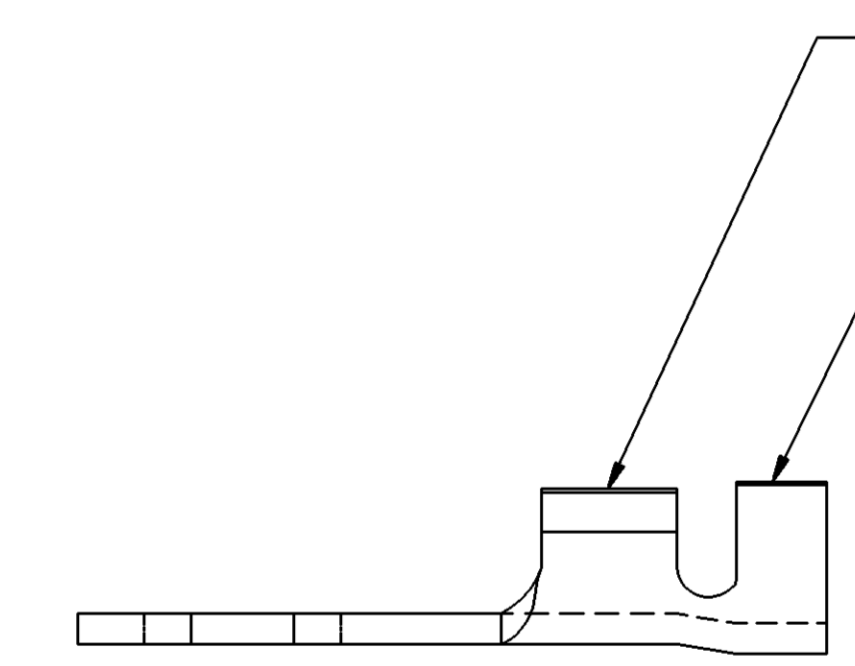
TYPE 503  
BLANK VIEW (APPROX)  
SAME AS TYPE 502  
EXCEPT AS SHOWN



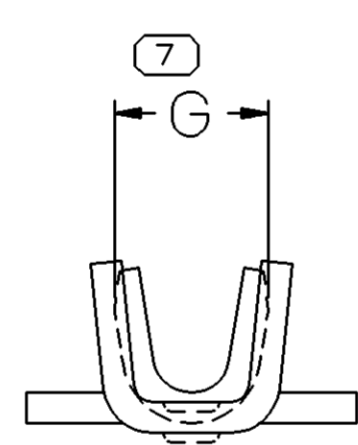
TYPE 504  
BLANK VIEW (APPROX)  
SAME AS TYPE 501  
EXCEPT AS SHOWN



SEE CHART FOR  
SCREW AND STUD SIZE



SEE CHART FOR  
SIZE CABLE  
SEE CHART FOR MAX  
INSULATION DIA



TYPE 501

NOTES

- UNLESS OTHERWISE SPECIFIED AND/OR INDICATED: DIMENSIONS ARE TO FACE OF VIEW SHOWN AND AUTOMATICALLY ROUNDED BY COMPUTER FOR INSPECTION. (SEE MATH MODEL FOR PRECISE DIMENSIONS.) FOR ALL OTHER DIMENSIONS NOT SHOWN BUT REQUIRED FOR TOOL BUILD, SEE MATH MODEL FOR PRECISE TOOL PATH DATA.

+	+	+	-.0201 x .781	+	12015312	B	OBSOLETE	M1598077	0.8+0.5	3.13+2.69	+	584	.204+ .003	-.125	
06286763	GJ	OBSOLETE	-.0320 x .453	M36H4111	+	+	+	+	0.8+0.5	3.13+2.69	+	583	.095+ .003	-.140	
06286188	GJ	OBSOLETE	-.0320 x .641	M36H4116	06286189	GJ	OBSOLETE	M3649116	0.8+0.5	2.40+2.03	+	582	.095+ .003	-.140	
02984903	GH	OBSOLETE	-.0201 x .781	M1536077	+	+	+	+	0.82	1.23+1.05	+	581	.204+ .003	-.090	
02984902	GH	OBSOLETE	-.0201 x .781	M1536077	+	+	+	+	0.82	1.23+1.05	+	581	.147+ .003	-.090	
02984747	GK	+	-.0320 x .641	M36H4116	+	+	+	+	0.8+0.5	3.13+2.69	+	582	.129+ .003	-.140	
02984542	GH	OBSOLETE	-.0254 x .781	M1536200	02984543	GH	OBSOLETE	P1536200	2.0+1.0	3.61+3.05	+	581	.204+ .003	-.160	
02984482	GK	+	-.0320 x .641	M36H4116	06294443	GJ	OBSOLETE	M3649116	2.0+1.0	3.05+2.48	+	582	.147+ .003	-.160	
02984481	GK	+	-.0320 x .641	M36H4116	06294444	GJ	OBSOLETE	M3649116	0.8+0.5	2.40+2.03	+	582	.147+ .003	-.140	
02984480	GK	+	-.0320 x .641	M36H4116	+	+	+	+	2.0+1.0	3.05+2.48	+	582	.129+ .003	-.160	
02984479	GJ	OBSOLETE	-.0320 x .641	M36H4116	02984483	GJ	OBSOLETE	M3649116	0.8+0.5	2.40+2.03	+	582	.129+ .003	-.140	
02984010	GK	OBSOLETE	-.0320 x .641	M36H4116	+	+	+	+	0.8+0.5	3.13+2.69	+	582	.133+ .003	-.140	
02977483	BK	+	-.0320 x .781	M36H4121	02977500	BK	+	M3649121	0.8+0.5	3.13+2.69	+	581	.204+ .003	-.130	
02977482	BK	+	-.0320 x .781	M36H4121	02977779	BJ	OBSOLETE	M3649121	0.8+0.5	3.13+2.69	+	581	.147+ .003	-.130	
02977481	BK	+	-.0320 x .781	M36H4121	+	+	+	+	0.8+0.5	2.40+2.03	+	581	.204+ .003	-.130	
02977480	BK	+	-.0320 x .781	M36H4121	08900736	BJ	OBSOLETE	M3649121	0.8+0.5	2.40+2.03	+	581	.173+ .003	-.130	
02977479	BJ	OBSOLETE	-.0320 x .781	M36H4121	+	+	+	+	0.8+0.5	2.40+2.03	+	581	.147+ .003	-.130	
02977150	BK	+	-.0320 x .781	M36H4121	+	+	+	+	0.8+0.5	3.13+2.69	+	581	.173+ .003	-.130	
02973852	BK	+	-.0320 x .781	M36H4121	02973853	BK	+	M3649121	2.0+1.0	3.05+2.48	+	581	.147+ .003	-.160	
02973850	BK	+	-.0320 x .781	M36H4121	02973851	BJ	OBSOLETE	M3649121	2.0+1.0	3.05+2.48	+	581	.173+ .003	-.160	
02973848	BK	+	-.0320 x .781	M36H4121	02973849	BK	+	M3649121	2.0+1.0	3.05+2.48	+	581	.204+ .003	-.160	
PART NO	REV	STATUS	MAT'L SIZE	MAT'L SPEC	PART NO	REV	STATUS	MAT'L SPEC	SIZE (MM)	DIA (MM)	HD	TYPE	G ±.015		
			UNPLATED					TIN PLATED							

-.204+ .003	#10	M5
.173+ .003	#8	M4
.147+ .003	#6	M3.5
.133+ .003	#5	M3
.129+ .003	#4	M2
.095+ .003	#2	M2
A DIA.	STANDARD	METRIC
	SCREW/STUD SIZE	

2 PROCESS SENSITIVE DIMENSION	
DIMENSIONAL RANGE (IN)	CHART
FROM 0 TO 500	2
TO 500 TO 1000	3
TOLERANCE UNLESS OTHERWISE SPECIFIED	
±.005	±.010
ANGULAR TOLERANCE 12"	

DWG TYPE PART DRAWING	
VOLUME (CW)	DISTR CODE D
ROUTING	6900
UNLESS OTHERWISE SPECIFIED	
THIS DOCUMENT IS IN ACCORDANCE WITH ASME Y14.5M-1994	
AS AMENDED BY THE 2003 DIMENSIONING AND TOLERANCING ADDENDUM (2003), SEPARATE PATTERNING OF FEATURES MAY BE GIVEN SEPARATELY REGARDLESS OF DATUM REFERENCES.	
ALL DIMENSIONS ARE IN INCHES	
REFERENCE	THIRD ANGLE PROJECTION
	DO NOT SCALE
	USE MATH DATA

<b>DELPHI</b>	
DELPHI PACKARD ELECTRIC SYSTEMS WARREN, OH	
DR	DATE
APV01 JAIME VILLAMIL	04MR04
APV02 JAIME VILLAMIL	04MR04
APV03 ERIC HAROLDSON	05MR04
APV04	
APV05	
SUBSTANCES OF CONCERN AND RECYCLED CONTENT PER DELPHI 10949001	
MATERIAL SEC CHART	
DRAWING NAME	TAXI TERM RING STR
DRAWING NUMBER	02962869
SIZE A0	SCALE 5:1
FRAME NO 1	SHEET NO 5 OF 1
STG REV 1	N/P