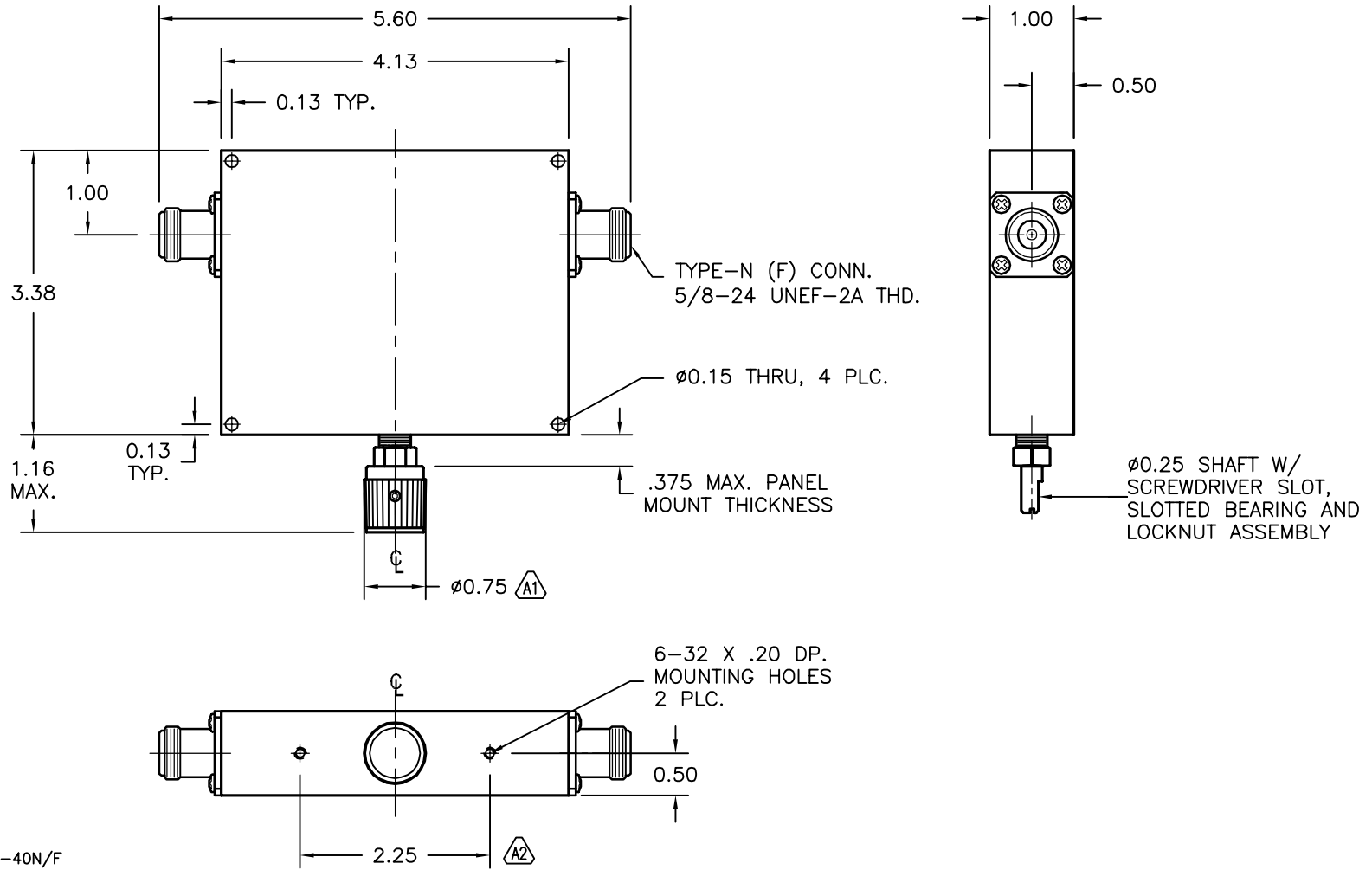


REV -	AUTH RTK	DATE 04/19/00	INITIAL RELEASE
REV A	AUTH RL	DATE 07/25/06	FORMAT UPDATE; SPECS ADDED, $\triangle A1$ KNOB WAS $\phi 1.25"$ $\triangle A2$ WAS: 3.00"



MODEL SPECIFICATIONS

MECHANICAL
 MODEL NUMBER(S): AV262D-40N/F
 AV262E-40N/F
 MATERIAL:
 BODY: 6061/T-6 ALUM.
 CONNECTORS: STAINLESS STEEL
 FINISH: UNIQUE CORROSION RESISTANT
 316 STAINLESS STEEL EPOXY
 COATING
 SMA-FEMALE

ELECTRICAL
 FREQ. RANGE:
 AV262D-40N/F 0.85 - 2.5 GHz
 AV262E-40N/F 0.85 - 4.0 GHz
 VSWR: 1.5 MAX.
 ATTENUATION RANGE: 40dB
 INSERTION LOSS: 0.5dB MAX.

THIRD ANGLE PROJECTION:		APPROVALS	DATE	ADVANCED TECHNICAL MATERIALS, INC. TEL: (631) 289-0363 FAX: (631) 289-0358 www.atmmicrowave.com		<small>THE INFORMATION IN THIS DRAWING IS PROPRIETARY AND SHALL NOT BE USED OR DISCLOSED WITHOUT THE PRIOR WRITTEN CONSENT OF ATMI, INC. DO NOT SCALE DWG.</small>						
UNLESS OTHERWISE NOTED, DIMENSIONS ARE IN INCHES, TOLERANCES ARE: FRACTIONS: $\pm 1/64$ ANGLES: $\pm 1/2^\circ$		DRAWN RL	07/25/06	<h2 style="text-align: center;">OUTLINE,</h2> <h3 style="text-align: center;">AV262X-40 ATTENUATOR, TYPE-N</h3>								
BASIC DIMENSION		CHKD.	APRVD.									
<table border="1"> <tr> <td>UNDER 6"</td> <td>$\pm .02$</td> <td>$\pm .005$</td> </tr> <tr> <td>6" - 12"</td> <td>$\pm .03$</td> <td>$\pm .010$</td> </tr> <tr> <td>OVER 12"</td> <td>$\pm .06$</td> <td>$\pm .015$</td> </tr> </table>		UNDER 6"	$\pm .02$					$\pm .005$	6" - 12"	$\pm .03$	$\pm .010$	OVER 12"
UNDER 6"	$\pm .02$	$\pm .005$										
6" - 12"	$\pm .03$	$\pm .010$										
OVER 12"	$\pm .06$	$\pm .015$										
SIZE A	CAGE CODE 0R8N4	ATM DWG # 2631W	REVISION A	SCALE 1 : 2		MODEL # SEE SPECS	SHEET 1/1					