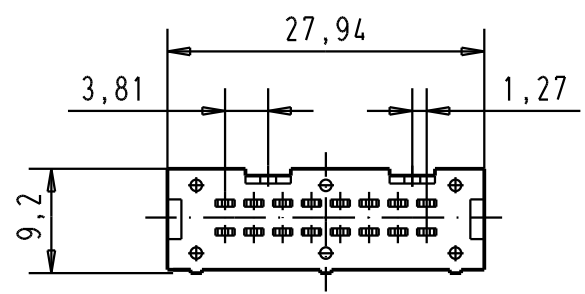
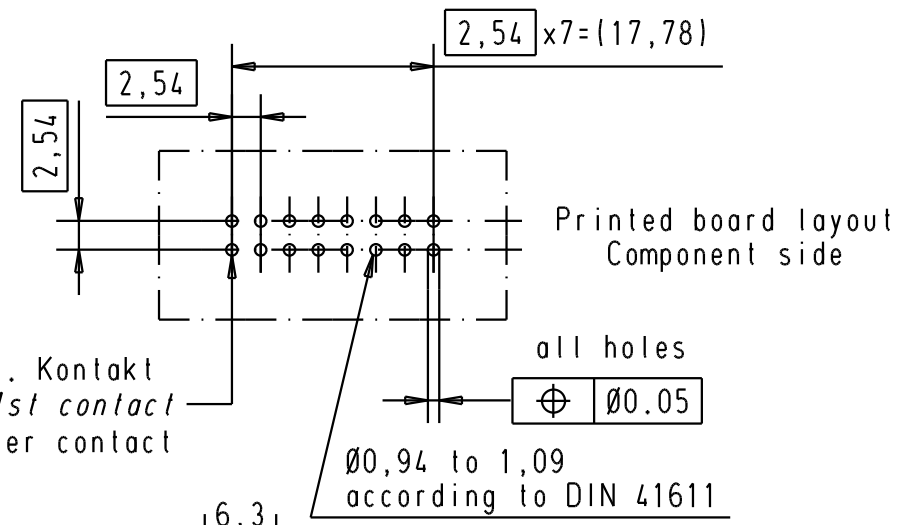
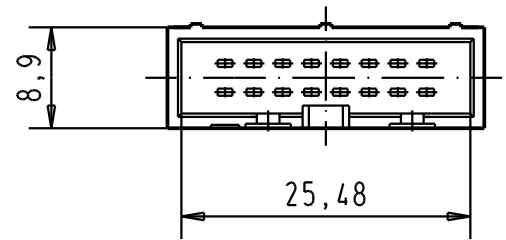
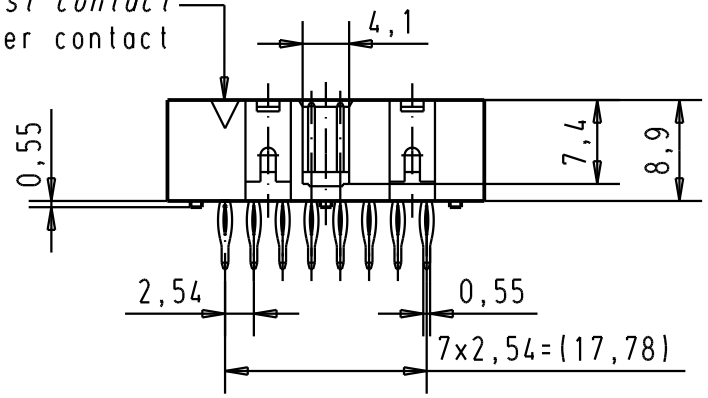


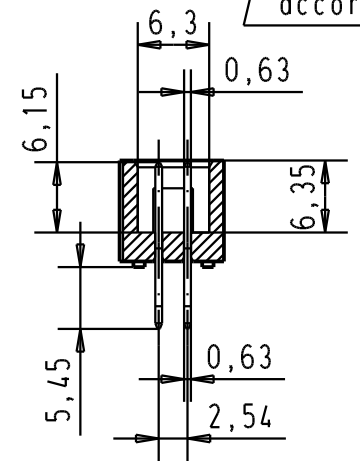
5 4 3 2 1



1. Kontakt
1st contact
1er contact



1. Kontakt
1st contact
1er contact

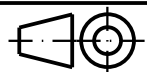


D

C

B

A



All Dimensions in mm
Original Size DIN A 4

Techn. Character.			Massstab/Scale
Detail.	Dat.	Name	
	01-FEB-00	JB	1,5:1
Insp.			
Stand.			

Nicht tolerierte Masse/ Free size tolerances

SEK 18 Male connector
16 poles
Low profile har.press

09185165329	0,76 µm Au				
09185166329	2				
09185167329	3				
Bestell-Nr. Part-No. Reference	Anforderungsstufe performance level Niveau de qualite		32154 26570 Mod.	27/08/04 01-FEB-00 Dat.	TR JB Name

HARTING EURL
F-95972 Paris



TB 0918516x329
Sub.

Blatt/ page
1/1