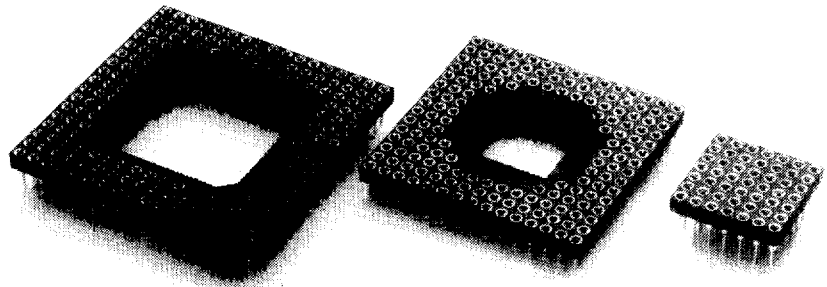




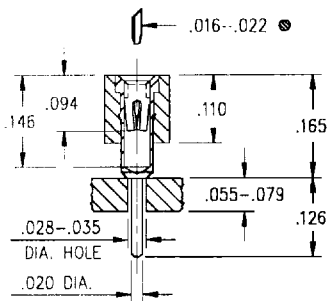
PIN GRID ARRAY SOCKETS Standard, Long Solder Tail & Low Profile

Series 510, 511, 515

- Series 510, 511, & 515 PGA sockets are available in three solder tail lengths: standard, long and low profile.
- Choice of three low force clips to cover all applications.
- Hi-Temp PCT polyester insulator material suitable for all forms of soldering.

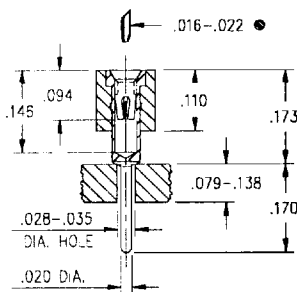


STANDARD SOLDER TAIL SERIES 510



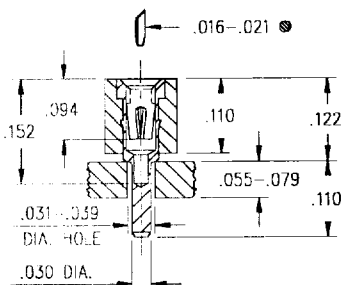
PLATING OPTIONS: 13,91,93,97,99

LONG SOLDER TAIL SERIES 511



PLATING OPTIONS: 13,93

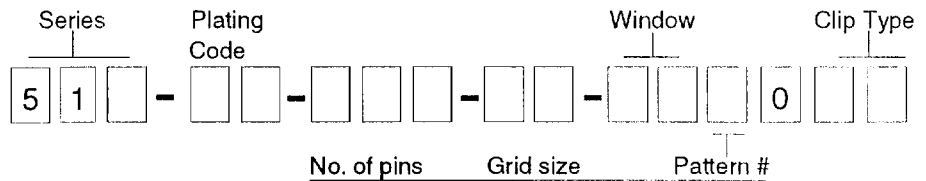
LOW PROFILE PIN SERIES 515



PLATING OPTIONS: 13,93

Ordering Information

1. Select pin type for PGA socket at left (standard, long or low profile) to determine series number.
2. Specify 2-digit plating code from chart at bottom of page (Note plating options available for each series under illustrations at left)
3. Locate footprint pattern from pages 44 to 48, the middle 8 digits of the part number will be located under the pattern.
4. Determine the last 2 digits of part number from the Contact Chart below.

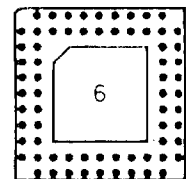


Determined from footprint pattern pages 44 to 48

EXAMPLE OF COMPLETE PART NUMBER :

510-93-068-11-061001

This is a 68 pin (11x11 grid) insulator with a .6" square window and fitted with standard solder tail socket pins. Pins are tin plated, inner contacts are Mill-Max # 32 and are plated 30 μ" gold.



Clip Type

Contact (Clip) Chart

01	Mill-Max #32 clip, standard low force, recommended for devices with less than 150 pins. See page 151 for details.
02	Mill-Max #35 clip, ultra low force, recommended for devices with more than 150 pins, but less than 250 pins. See page 151 for details.
03	Mill-Max #43 clip, "ultra lite", recommended for devices with more than 250 pins. See page 151 for details.

SPECIFY PLATING CODE XX =	13	91	93	97	99
Sleeve (Pin)	10 μ" Au	200 μ" Sn	200 μ" Sn	200 μ" Sn	200 μ" Sn
Contact (Clip)	30 μ" Au	10 μ" Au	30 μ" Au	Au Flash	200 μ" Sn