

# PBE-1700

## COM Express Type 2 Evaluation Board in ATX Form Factor



### Features

- Integrated Gigabit Ethernet
- **COM Express Type 2 Evaluation Board**
- Support Analog RGB, LVDS and TV-out

### I/O

<b>I/O Chipset</b>	Winbond W83627HG or Fintek F71869
<b>Serial Port</b>	2 x COM ports (2 x RS-232)
<b>Parallel Port</b>	SPP/EPP/ECP mode
<b>USB Port</b>	6 x USB 2.0 ports
<b>KB/MS</b>	1 x PS/2 keyboard connector 1 x PS/2 mouse connector
<b>Digital I/O</b>	8-bit Digital Input/Output
<b>Expansion Bus</b>	2 x PCIe x1 slots 1 x PCIe x16 slot 4 x PCI slots 2 x Mini-card sockets
<b>Storage</b>	4 x Serial ATA connectors 1 x Ultra ATA 100/66/33 port connector, supporting 2 IDE devices 1 x Floppy disk connector (shared with parallel port) 1 x CompactFlash Type II socket

<b>Ethernet Chipset</b>	1 x RJ-45 Ethernet connector with LED
<b>Audio Interface</b>	Realtek ALC888 7.1 Channel HD Audio CODEC, Mic-in/ Line-in/Line-out

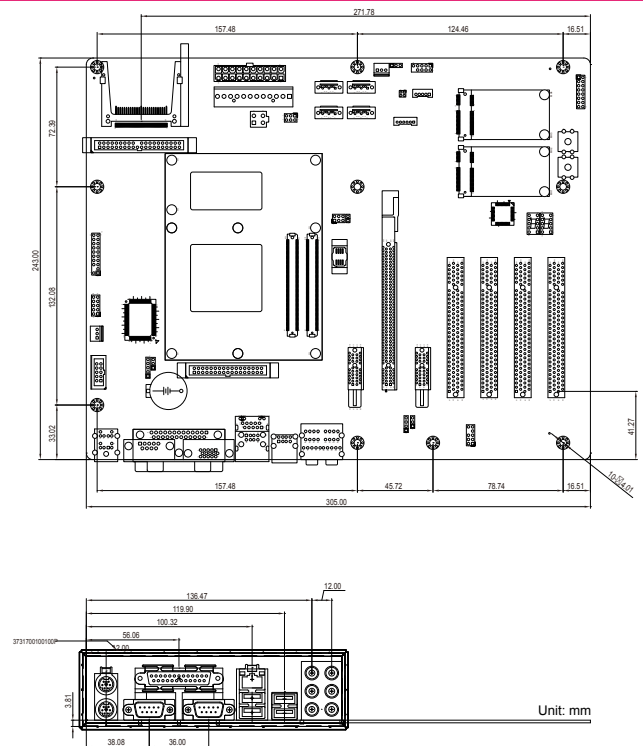
### Display

<b>Graphics Interface</b>	Analog RGB, LVDS, TV-out connector (depending on CPU module)
---------------------------	---

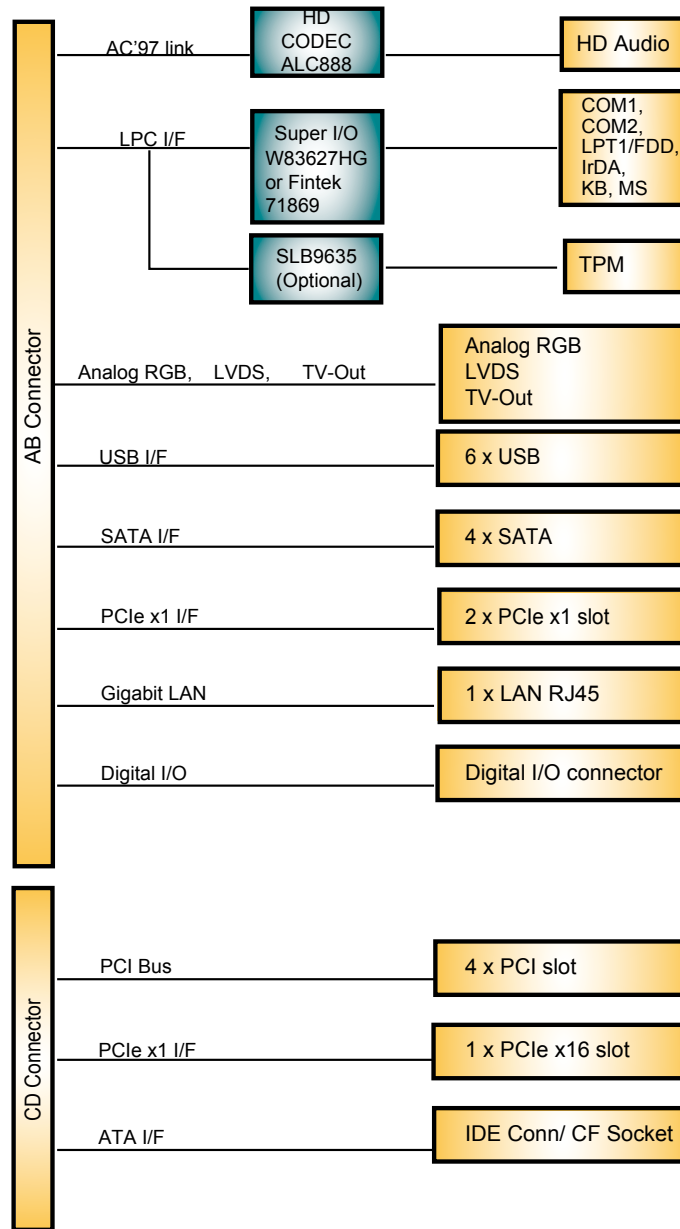
### Mechanical & Environmental

<b>Power Requirement</b>	AT or ATX power connector
<b>Operating Temp.</b>	-20 ~ 70°C (-4 ~ 158°F)
<b>Operating Humidity</b>	10 ~ 95% @ 70°C (non-condensing)
<b>Dimensions (L x W)</b>	305 x 244 mm (12" x 9.6")

### Dimensions



## Block Diagram



## Ordering Information

<b>PBE-1700-W R1.3</b>	COM Express type 2 evaluation board in ATX form factor w/ W83627 Super IO
<b>PBE-1700-F R1.3</b>	COM Express Type 2 evaluation board in ATX form factor w/ F71869 Super IO

## Optional Accessories

<b>CBK-04-1700-00</b>	Cable kit
	• 1 x SATA cable
	• 1 x COM port cable
	• 1 x FDD cable
	• 1 x IDE cable