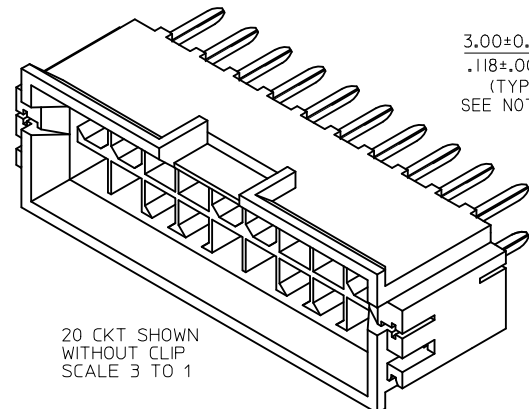


PCB LAYOUT: COMPONENT SIDE
RECOMMENDED PCB THICKNESS: SEE CHART



20 CKT SHOWN
WITHOUT CLIP
SCALE 3 TO 1

NOTES:

- 1) MATERIALS:
HOUSING: PA46 FILLED BLACK, UL94V-0
TERMINAL: BRASS
BOARD RETENTION CLIP: BRASS
- 2) FINISHES:
B = 0.00076/(.000030) MIN. SELECT GOLD AND 0.00254/(.000100) MIN. SELECT MATTE TIN OVER 0.00127/(.000050) MIN. NICKEL OVERALL
C = 0.00254/(.000100) MIN. MATTE TIN OVER NICKEL
- 3) PRODUCT SPECIFICATIONS: PS-43810-001
- 4) PACKAGING SPECIFICATION: PK-43879-001
- 5) PART MATES WITH MOLEX RECEPTACLE #5557 AND #42474, AND #44516 AND #42385 HEADER.
- 6) PART ALLOWS FOR 1.27/.050 MAX. MIS-ALIGNMENT WITH MATING HOUSINGS IN ANY DIRECTION.
- 7) CONNECTOR ASSEMBLIES ARE NOT TO BE MATED AND UNMATED WHILE CIRCUITS ARE LIVE.
- 8) FOR THIS PART WITH STANDARD MATING LENGTH SEE DRAWING # SD-44068-031
- 9) THIS DIMENSION DOES NOT APPLY TO PARTS WITHOUT P.C. BOARD RETENTION CLIPS.
- 10) THIS PART CONFORMS TO CLASS B REQUIREMENTS OF COSMETIC SPECIFICATION PS-45499-002.
- 11) DISCOLORATION IN THE BANDOLIER CARRIER AREA OF THE PIN IS INHERENT TO THE PLATING PROCESS AND IS DUE TO THE MASKING EFFECT OF THE CARRIER. THIS DISCOLORATION IS IN A NON-FUNCTIONAL AREA OF THE PIN AND WILL NOT AFFECT THE PERFORMANCE OF THE HEADER ASSEMBLY.

CKTS	DIM. "A"	DIM. "B"	DIM. "C"
4	18.81 .740	4.20 .165	16.60 .653
6	23.01 .906	8.40 .331	20.80 .819
8	27.21 1.071	12.60 .496	25.00 .984
10	31.41 1.237	16.80 .661	29.20 1.150
12	35.61 1.402	21.00 .828	33.40 1.315
14	39.81 1.567	25.20 .992	37.60 1.480
16	44.01 1.733	29.40 1.157	41.80 1.646
18	48.21 1.898	33.60 1.323	46.00 1.811
20	52.41 2.063	37.80 1.488	50.20 1.976
22	56.61 2.229	42.00 1.654	54.40 2.142
24	60.81 2.394	46.20 1.819	58.60 2.307

CHANGE CLIP DIM EC NO: UCP2012-3785 DRW: NGUYEN CHKD: BELL APPR: FSMITH 2012/05/17 2012/05/17 2012/06/01	QUALITY SYMBOLS ▽=0 ▽=0 ▽=0	GENERAL TOLERANCES (UNLESS SPECIFIED)		DIMENSION STYLE MM/IN		SCALE 4:1	DESIGN UNITS METRIC	THIRD ANGLE PROJECTION	
		4 PLACES ± --- ± --- 3 PLACES ± --- ± .010 2 PLACES ± 0.25 ± .014 1 PLACE ± 0.35 ± ---	mm INCH DRAWN BY MANAPALZ CHECKED BY BANDURA APPROVED BY FSMITH DATE 12/04/97 12/06/97 2011/06/07	TITLE MINI-FIT JR BMI SMC VERTICAL HEADER ASSY MAKE-FIRST/BREAK-LAST MOLEX INCORPORATED					
		ANGULAR ±1/2°		MATERIAL NO. SEE SHEET 2		DOCUMENT NO. SD-44068-051		SHEET NO. 1 OF 2	
		DRAFT WHERE APPLICABLE MUST REMAIN WITHIN DIMENSIONS				THIS DRAWING CONTAINS INFORMATION THAT IS PROPRIETARY TO MOLEX INCORPORATED AND SHOULD NOT BE USED WITHOUT WRITTEN PERMISSION			

ITEMS PRECEDED BY "X" ARE NOT AVAILABLE

"X"	ITEM NO.	CHARACTERISTIC DESCRIPTION	CKT. SIZE	TERMINAL VERSION REQUIRED AT EACH CIRCUIT LOCATION: *S* = STD. LENGTH *M* = MAKE-FIRST/BREAK-LAST *V* = VOIDED CIRCUIT																								DIM "D" REF.	DIM "E"	P.C. BOARD THICKNESS
				1	2	3	4	5	6	7	8	9	10	11	12	13	14	15	16	17	18	19	20	21	22	23	24			
	44068-0241	10BB	10	BM	BS	BS	BS	BS	BS	BS	BS	BM	-	-	-	-	-	-	-	-	-	-	-	-	-	-	5.21 (.205)	N / A	N / A	
	44068-0242	18BC	18	CS	CS	CM	CS	CS	CS	CM	CS	CS	CS	CM	CS	CS	CM	CS	CS	-	-	-	-	-	-	5.70 (.224)	3.39 .133	3.18 ±0.18 (.125 ±0.07)		
	44068-1003	18BB	18	BM	BS	BS	BS	BS	BS	BS	BS	BM	BM	BS	BS	BS	BS	BS	BS	BM	-	-	-	-	-	3.30 (.130)	1.79 .070	1.60 ±0.18 (.063 ±0.07)		
	44068-1004	14BB	14	BM	BS	BS	BS	BS	BS	BM	BM	BS	BS	BS	BS	BM	-	-	-	-	-	-	-	-	3.30 (.130)	1.79 .070	1.60 ±0.18 (.063 ±0.07)			
	44068-1006	24BB	24	BM	BS	BM	BM	BM	BM	BM	BM	BM	BM	BS	BM	BS	BM	BM	BM	BM	BM	BM	BM	BS	4.42 (.174)	2.60 .102	2.39 ±0.18 (.094 ±0.07)			
	44068-1010	10BC	10	CM	CM	CS	CM	CM	CM	CS	CM	CM	-	-	-	-	-	-	-	-	-	-	-	3.30 (.130)	1.79 .070	1.60 ±0.18 (.063 ±0.07)				
	44068-1011	18BC	18	CM	CM	CM	CM	CM	CS	CM	CM	CM	CM	CM	CM	CS	CM	CM	-	-	-	-	-	3.30 (.130)	1.79 .070	1.60 ±0.18 (.063 ±0.07)				
	44068-1012	18BC	18	CM	CM	V	CM	CM	V	CS	V	CM	CM	V	CM	CM	V	CS	V	CM	-	-	-	3.30 (.130)	1.79 .070	1.60 ±0.18 (.063 ±0.07)				
	44068-1013	10BB	10	BM	BM	BS	BM	BM	BM	BS	BM	BM	-	-	-	-	-	-	-	-	-	-	-	3.30 (.130)	1.79 .070	1.60 ±0.18 (.063 ±0.07)				
	44068-1014	18BB	18	BM	BM	BM	BM	BM	BS	BM	BM	BM	BM	BM	BM	BS	BM	BM	-	-	-	-	-	3.30 (.130)	1.79 .070	1.60 ±0.18 (.063 ±0.07)				
	44068-1015	18BC	18	CS	CS	CS	CS	CS	CS	CS	CS	CS	CS	CS	CS	CS	CS	CS	-	-	-	-	-	3.30 (.130)	N/A	1.60 ±0.18 (.063 ±0.07)				
	44068-1016	04BC	04	CS	CS	CS	CS	-	-	-	-	-	-	-	-	-	-	-	-	-	-	-	-	3.30 (.130)	N/A	1.60 ±0.18 (.063 ±0.07)				

CHARACTERISTICS LEGEND:

CIRCUIT SIZE _____ ** **
 (02-24)
 HOUSING MAT'L. (SEE NOTE 1) _____ ** **
 B = NYLON 4/6, U.L. 94V-0,
 COLOR: NATURAL (BLACK)
 TERMINAL PLATING (SEE NOTE 2) _____ ** **
 B = SELECT GOLD
 C = MATTE TIN

SEE SHEET 1 EC NO: UCP2012-3785 DRAWING: NGUYEN 2012/05/17 CHKD: BELLI 2012/05/17 APPR: FSMITH 2012/06/01	QUALITY SYMBOLS	GENERAL TOLERANCES (UNLESS SPECIFIED)	DIMENSION STYLE	SCALE	DESIGN UNITS	THIRD ANGLE PROJECTION
	▽=0	mm INCH	MM/IN	1:1	METRIC	
	▽=0	4 PLACES ± --- ± ---	DRAWN BY DATE	TITLE		
	▽=0	3 PLACES ± --- ±.010	CHECKED BY DATE	MINI-FIT JR BMI SMC VERTICAL HEADER ASSY MAKE-FIRST/BREAK-LAST		
	▽=0	2 PLACES ±0.25 ±.014	BANDURA 12/06/97	MOLEX INCORPORATED		
	1 PLACE ±0.35 ± ---	APPROVED BY DATE	DOCUMENT NO.			
	ANGULAR ±1/2°	FSMITH 2011/06/07	SD-44068-051			
		MATERIAL NO.	SHEET NO.			
	DRAFT WHERE APPLICABLE MUST REMAIN WITHIN DIMENSIONS	SEE CHART	2 OF 2			
		SIZE C	THIS DRAWING CONTAINS INFORMATION THAT IS PROPRIETARY TO MOLEX INCORPORATED AND SHOULD NOT BE USED WITHOUT WRITTEN PERMISSION			