

OD8015 Series

DC



80x80x15mm  
(3.15"x 3.15"x 0.59")



**OPERATING TEMPERATURE**

Ball Bearing  
-20C ~ +70C  
Sleeve Bearing  
-10C ~ +50C

**FRAME & IMPELLER**

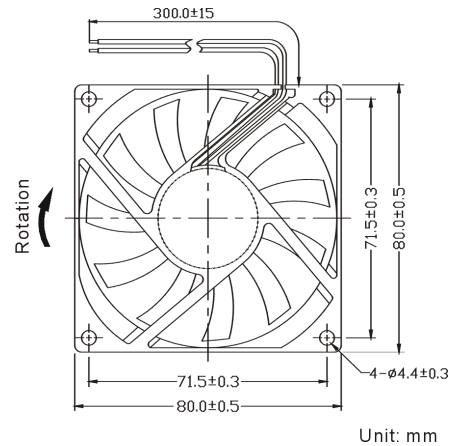
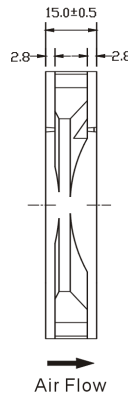
PBT, UL94V-0 Thermoplastic

**POWER CONNECTION**

Two lead wires 300mm (12")

**AVAILABLE OPTIONS**

Tachometer  
Locked rotor Alarm



FINGER GUARD: G80-18  
PLASTIC GUARD: G80P  
WIRE MESH GUARD: WMG80M  
FILTER KIT: GRM80-30,  
GRM80-45

| MODEL NUMBER | SPEED (RPM) | AIRFLOW (CFM) | NOISE (DB) | VOLTS DC | VOLTAGE RANGE | AMPS | MAX. STATIC PRESSURE (H <sub>2</sub> O) |
|--------------|-------------|---------------|------------|----------|---------------|------|---|
| OD8015-05H*  | 3200        | 30            | 33         | 05       | 4~7           | .43  | .11                                     |
| OD8015-05M*  | 2440        | 21            | 26         | 05       | 4~7           | .24  | .08                                     |
| OD8015-12H*  | 3200        | 31            | 33         | 12       | 8~16          | .19  | .11                                     |
| OD8015-12M*  | 2440        | 21            | 26         | 12       | 8~16          | .15  | .08                                     |

\* Indicate "B" to specify Ball bearing or "S" to specify Sleeve bearing

**MOTOR**

Brushless DC, Impedance and polarity protected, auto restart

**INSULATION RESISTANCE**

Min. 10M at 500VDC

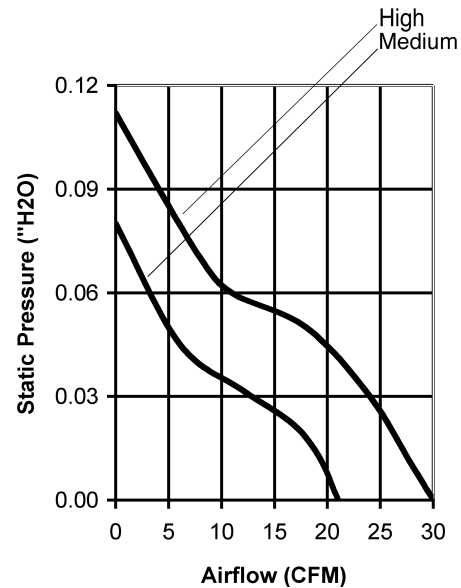
**DIELECTRIC STRENGTH**

1 minute at 500VAC / 1 second, max leakage 500 microamp

**LIFE EXPECTANCY (L10)**

Ball Bearing 60,000 hrs

Sleeve Bearing 30,000 hrs



# Mouser Electronics

Authorized Distributor

Click to View Pricing, Inventory, Delivery & Lifecycle Information:

## Orion Fans:

[OD8015-05HB](#) [OD8015-05MB](#) [OD8015-05HS](#) [OD8015-05MS](#)