

4

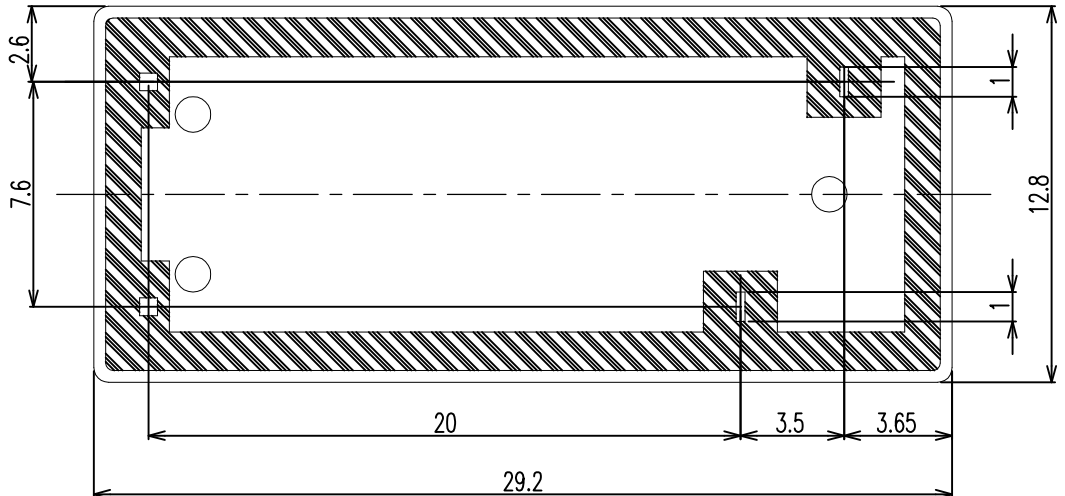
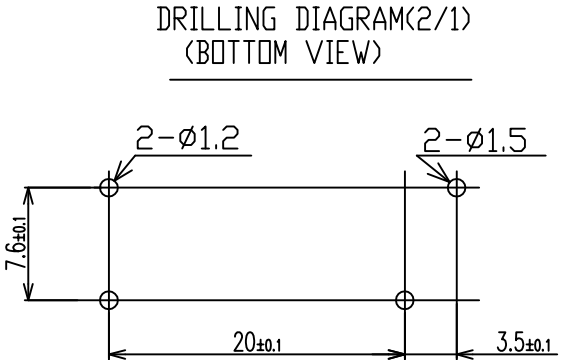
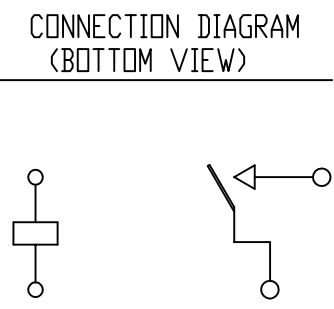
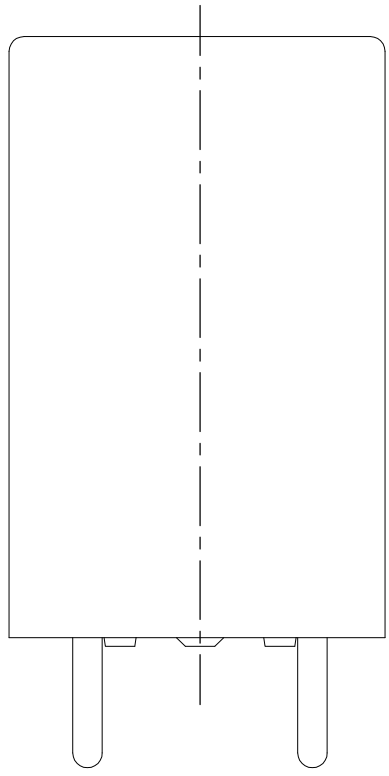
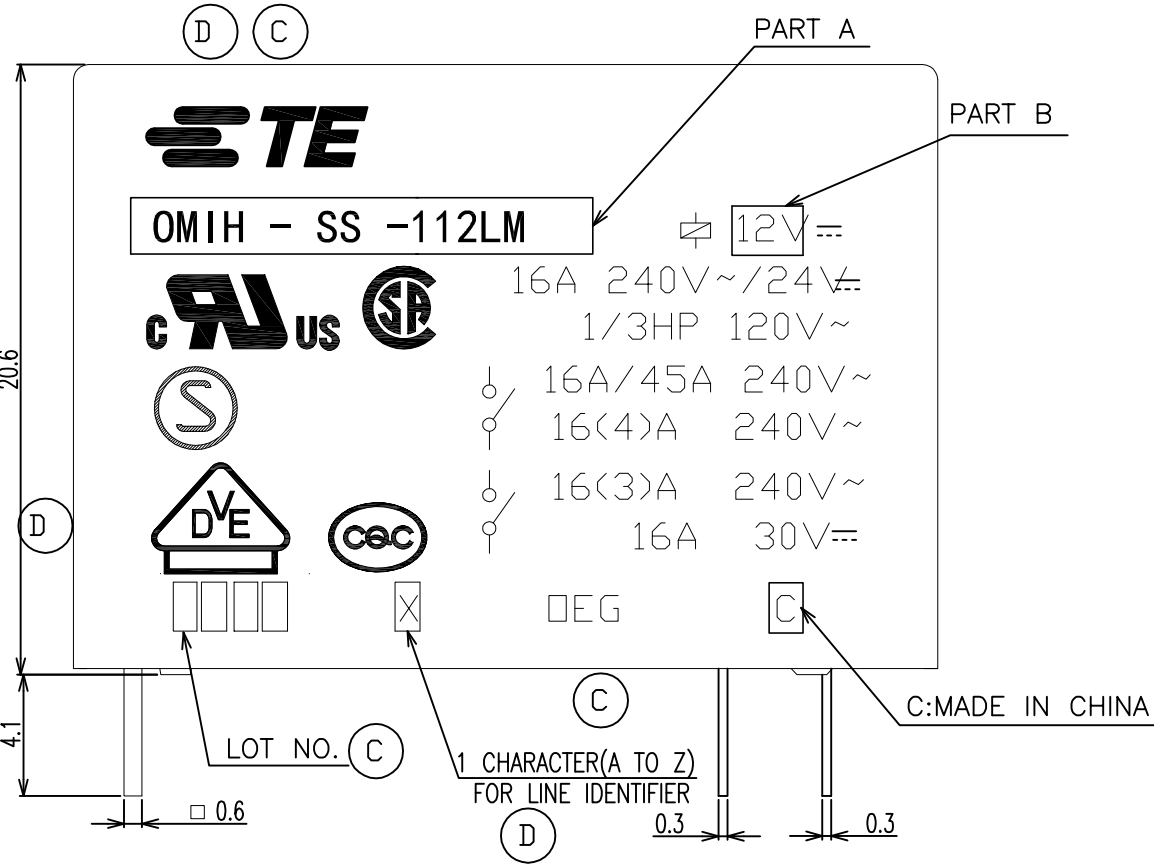
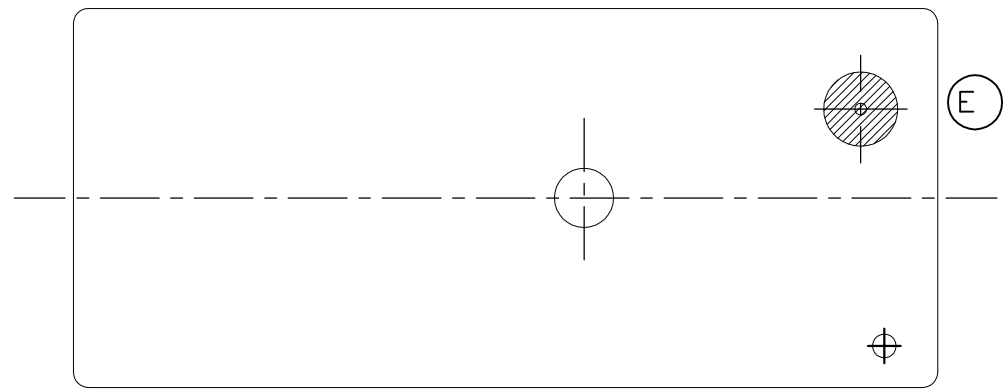
3

2

1

THIS DRAWING IS UNPUBLISHED. RELEASED FOR PUBLICATION
 © COPYRIGHT - By - ALL RIGHTS RESERVED.

LOC	DIST	REVISIONS					
		P	LTR	DESCRIPTION	DATE	DWN	APVD
HB	-		D	CHANGE LOGO, VENT; ADD LINE IDENTIFIER, CQC, PLATING THICKNESS ECO-12-005725	21-AUG-12	D.L	BH.Y
			E	CHANGE THE VENT HOLE SHAPE FROM RECTANGLE TO CIRCLE ONE ECO-13-015347	16-DEC-13	XL,Y	B,F



THIS DRAWING IS A CONTROLLED DOCUMENT.		DWN	-		STE TE Connectivity
DIMENSIONS: mm		CHK	Y.Xiao		
TOLERANCES UNLESS OTHERWISE SPECIFIED:		APVD	N.Funayama		NAME
0 PLC ± -		PRODUCT SPEC	CH.HSU		
1 PLC ± -		APPLICATION SPEC	-		OMIH(1M) SPEC300 CUSTOMER DRAWING
2 PLC ± -		SIZE	CAGE CODE	DRAWING NO	
3 PLC ± -		WEIGHT	A3	00779	C=2-1419153-1
4 PLC ± -		CUSTOMER DRAWING	SCALE 4:1		SHEET 1 of 2
ANGLES ± -		SCALE 4:1		SHEET 1 of 2	REV E
FINISH		SCALE 4:1		SHEET 1 of 2	REV E

LOC HB	DIST -	REVISIONS			
P	LTR	DESCRIPTION	DATE	DWN	APVD

OMIH-SH-124DM	7-1440000-3	OMIH-SH-124DM	24V
OMIH-SH-112LM	1461009-1	OMIH-SH-112LM	12V
OMIH-SH-112DM	1461022-1	OMIH-SH-112DM	12V
OMIH-SS-106DM	1461022-9	OMIH-SS-106DM	6V
OMIH-SS-105DM	1461022-5	OMIH-SS-105DM	5V
OMIH-SS-148LM	9-1419121-2	OMIH-SS-148LM	48V
OMIH-SS-148LM	2-1419145-2	OMIH-SS-148LM	48V
OMIH-SS-148LM	9-1440000-4	OMIH-SS-148LM	48V
OMIH-SS-148DM	9-1440000-2	OMIH-SS-148DM	48V
OMIH-SS-124LM	2-1419153-2	OMIH-SS-124LM	24V
OMIH-SS-124DM	8-1440000-9	OMIH-SS-124DM	24V
OMIH-SS-118DM	8-1440000-7	OMIH-SS-118DM	18V
OMIH-SS-112LM	8-1440000-6	OMIH-SS-112LM	12V
OMIH-SS-112DM	8-1440000-4	OMIH-SS-112DM	12V
OMIH-SS-109LM	8-1440000-2	OMIH-SS-109LM	9V
OMIH-SS-109DM	8-1440000-0	OMIH-SS-109DM	9V
OMIH-SS-106LM	7-1440000-9	OMIH-SS-106LM	6V
OMIH-SS-105LM	2-1419153-1	OMIH-SS-105LM	5V
EC TYPE NAME	PART NO	PART A	PART B

RELAY TYPE

NOTES:

① 1.LOT NO. SYSTEM AS FOLLOWING:


0 8 2 5
WEEK
YEAR

2.GENERAL TOLERANCE AS FOLLOWING:

TOLERANCE	
0~0.99mm	±0.1
1mm~2.99mm	±0.2
3mm~MIN.	±0.3

② ③ 3.TERMINAL DIMENSION IS NOT INCLUDING SOLDER TIP.
FOR THE TIN-PLATING OF THE PINS:
+0.1mm FOR WIDTH,THICKNESS AND DIAMETER.
+0.5mm FOR LENGTH.

		UV RESIN	UV SEAL	16
		EPOXY RESIN	SEAL	15
UL94 V-0		PBT	CASE	14
CLASS E		UEW	MAGNETIC WIRE	13
UL94 V-0		PET	BASE	12
UL94 V-0		PBT	BOBBIN	11
	SOLDER DIP	CP WIRE	COIL TERMINAL	10
UL94 V-0		PPS	CARD	9
		Ag ALLOY	MOVABLE CONTACT	8
		Ag ALLOY	STATIONARY CONTACT	7
		Cu ALLOY	HINGE SPRING	6
	SOLDER DIP	Cu ALLOY	STATIONARY TERMINAL	5
	SOLDER DIP	Cu ALLOY	MOVABLE SPRING	4
		STEEL	CORE	3
		STEEL	ARMATURE	2
		STEEL	YOKE	1
INCOMBUSTIBILITY	TREATMENT	MATERIAL	DESCRIPTION	ITEM

THIS DRAWING IS A CONTROLLED DOCUMENT.		DWN Y.Xiao	 TE Connectivity		
DIMENSIONS: mm		CHK N.Funayama			
TOLERANCES UNLESS OTHERWISE SPECIFIED:		APVD CH.HSU	NAME OMIH(1M) SPEC300 CUSTOMER DRAWING		
0 PLC ± - 1 PLC ± - 2 PLC ± - 3 PLC ± - 4 PLC ± - ANGLES ± -		PRODUCT SPEC -	DRAWING NO A3 00779 ©-2-1419153-1		
MATERIAL -		FINISH -	APPLICATION SPEC -	RESTRICTED TO -	SCALE 4:1
CUSTOMER DRAWING			WEIGHT -	SHEET 2 of 2	REV E