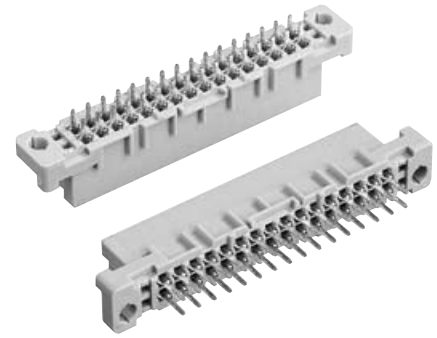


Number of contacts

32



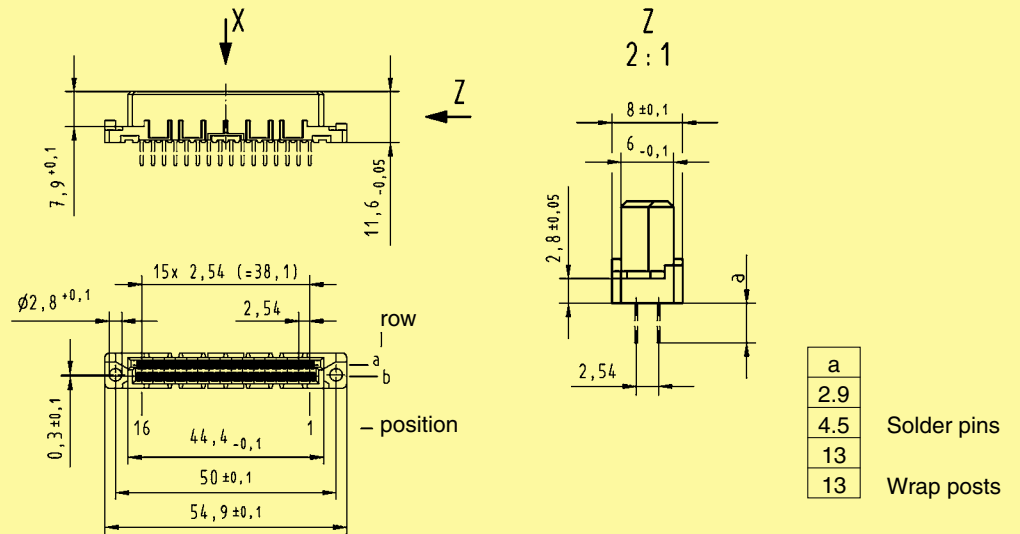
Female connectors

Identification	Number of contacts	Contact arrangement	Part No.	Performance levels according to IEC 60603-2. Explanation chapter 00		
				3	2	1
Female connector with solder pins 2.9 mm	32		Performance level 3 on request	09 22 232 6824 09 22 432 6824 ^{b)}	Performance level 1 on request on request	
Female connector with solder pins 4.5 mm	32			09 22 232 6825 09 22 432 6825 ^{b)}		
Female connector with solder pins 13 mm	32			09 22 232 6421		
Female connector with wrap posts ¹⁾ 13 mm	32			09 22 232 6821		

Female connector with press-in pins

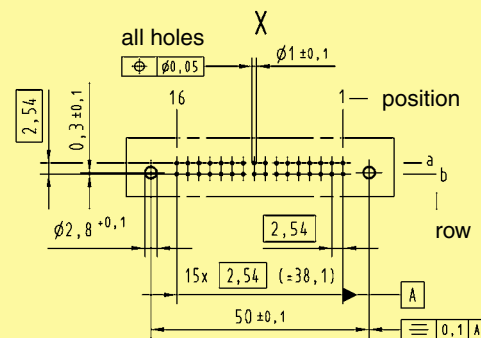
Part Nos. and variants see chapter 04

Dimensions



Board drillings

Mounting side



Dimensions in mm

Other contact arrangements on request

^{b)} Connectors with snap-in clips see chapter 00

¹⁾ To be used only for wire wrap termination