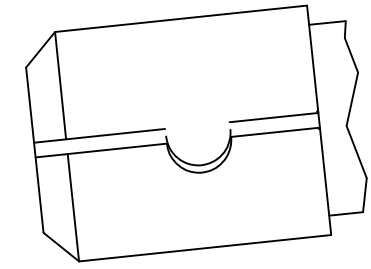
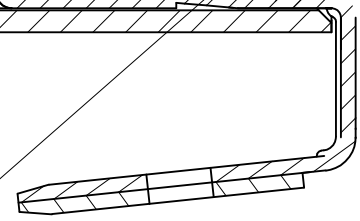
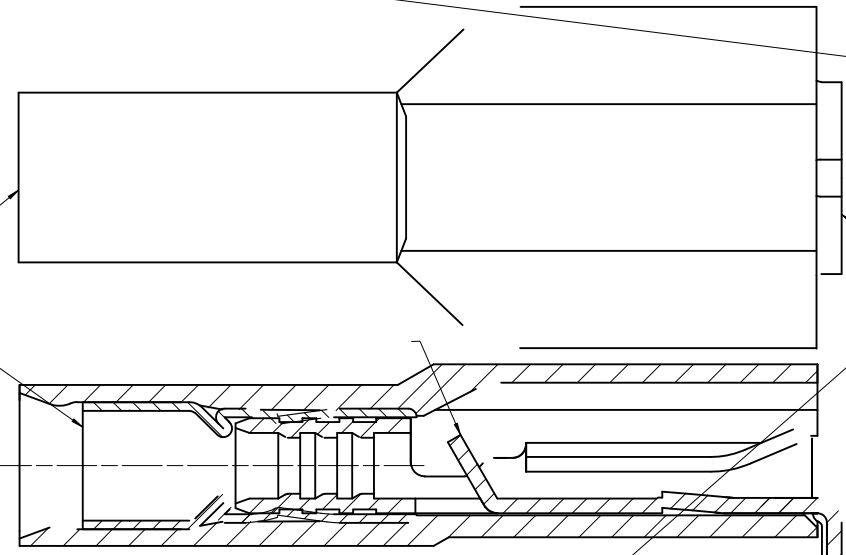


INSULATOR

FERRULE

TERMINAL



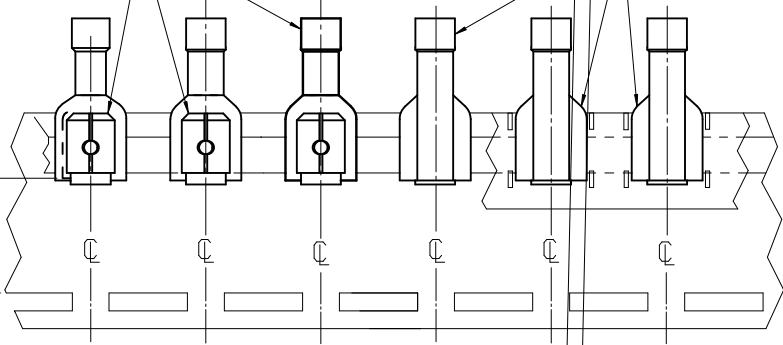
TAB AWAY FROM TAPE

$\frac{.60}{15.2}$ REF

TYP ALL MATERIAL NUMBERS
SINGLE SPACED
CENTER TO CENTER

TAB TOWARD TAPE

H
(TO CURL)



PARTS ON TAPE
(SCALE 2:1)

