

# IEM-422 Line Powered Industrial LVDT/RVDT Current Transmitter



- 115/230VAC line powered
- NEMA-13 rated enclosure
- 4 to 20mA output
- Zero, span and phase adjustable
- 2.5, 5 and 10kHz excitation frequencies
- Low noise, 3-pole Butterworth filter
- Master/slave capability
- Compatible with 4, 5 & 6 wire LVDTs/RVDTs
- Power and loop status LED's

## DESCRIPTION

The **IEM-422** is a line-powered current transmitter, designed for industrial process control applications. The IEM-422 consists of a power supply (PSD 40-15) and an LVDT/RVDT signal conditioner (LDM-1000), pre-configured to supply a 4 to 20 mA output from a 115 or 230 volt AC supply. The IEM-422 supplies an AC sine wave excitation to the LVDT or RVDT and then demodulates and amplifies its output. A full-wave synchronous demodulator eliminates quadrature and harmonics to maximize external noise rejection.

The IEM 422 is housed in a rugged NEMA 13 enclosure to protect it from dirt, dust, water and other contaminants commonly found in industrial environments. Power, input and signal output connections are made easy by using conduit ports to make the appropriate connections. LVDT hookup is completed by mating to the box-mounted, sealed M/S-style bayonet connector. The internal signal conditioner is also capable of providing several different DC output voltage signals to accommodate varying PLC and analog I/O requirements. The frequency response is internally selectable, as is the master/slave function which allows synchronization of multiple IEM-422 transmitters to prevent beat frequencies and cross talk between transducers.

Also see our other LVDT/RVDT signal conditioner models:

- LVM-110** ±15VDC supply, ±10 and 0 to 10VDC outputs, open circuit board
- LiM-420** 24VDC supply, 4-20mA (3-wire) output, open circuit board
- ATA-2001** Line powered, DC voltage and current outputs, push-button programmable
- PML-1000** AC or DC supply, DC voltage, current and RS485 outputs, 1/8<sup>th</sup> DIN panel meter,
- MP-2000** Line-powered, analog DC & RS232 outputs, ¼ DIN, dual channel set point controller with bit-mapped display

Measurement Specialties (MEAS) offers many types of sensors and signal conditioners. Data sheets can be downloaded from our web site at: <http://www.meas-spec.com/datasheets.aspx>

MEAS acquired Schaevitz Sensors and the **Schaevitz™** trademark in 2000. MEAS is owned by TE Connectivity Ltd. ([www.te.com](http://www.te.com) - NYSE TEL) as part of TE Connectivity Sensor Solutions.

## FEATURES

- Rugged NEMA-13 rated enclosure
- Conduit ports for easy connection
- Pre-configured 4-20mA output signal
- Bolt holes for easy mounting
- Multiple LVDT master/slave capability

## APPLICATIONS

- Steam turbine control systems
- Process control systems
- Pulp/paper industry
- Petrochemical process control
- Roller gap position

# IEM-422 Line Powered Industrial LVDT/RVDT Current Transmitter

## PERFORMANCE SPECIFICATIONS

SPECIFICATIONS	
Supply voltage	85 to 264 VAC @ 45-65Hz
Output range	4 to 20mA
Zero output	12mA
Zero adjustment range	±30% of FRO
Temperature coefficient of output	±0.02% of FSO per degree F [±0.036% of FSO per degree C]
Operating temperature range	-13°F to +185°F [-25°C to 85°C]
Current output noise & ripple	25µA maximum
Current loop resistance	700Ω maximum
Frequency response	250Hz and 1kHz @ -3 dB (DIP switch selectable, 250Hz as shipped)
Non-linearity	≤±0.02% of FS
Weight	8.9 lbs [4.04 kilograms]
IEC 60529 & NEMA ratings	IP65; NEMA 13
Transducer excitation	
Voltage	1 and 3VRMS (DIP switch selectable, 3VRMS as shipped)
Current	25mA RMS
Frequency	2.5, 5 and 10kHz (DIP switch selectable, 2.5kHz as shipped)
Transducer requirements	
LVDT/RVDT input impedance	50Ω minimum @ 1VRMS excitation ; 150Ω minimum @ 3VRMS

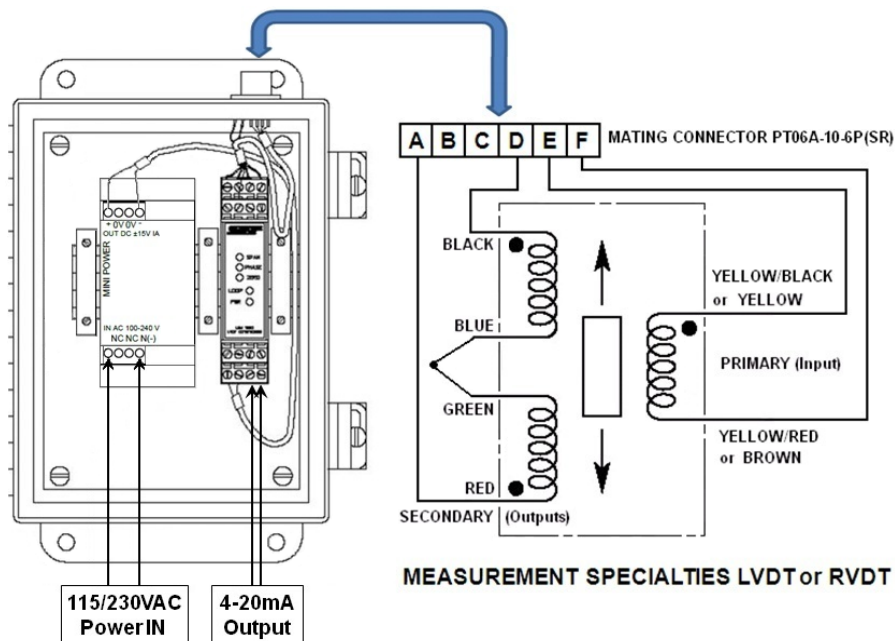
**Notes:**

All values are nominal unless otherwise noted

FSO (Full Scale Output) is the largest absolute value of the outputs measured at the range ends

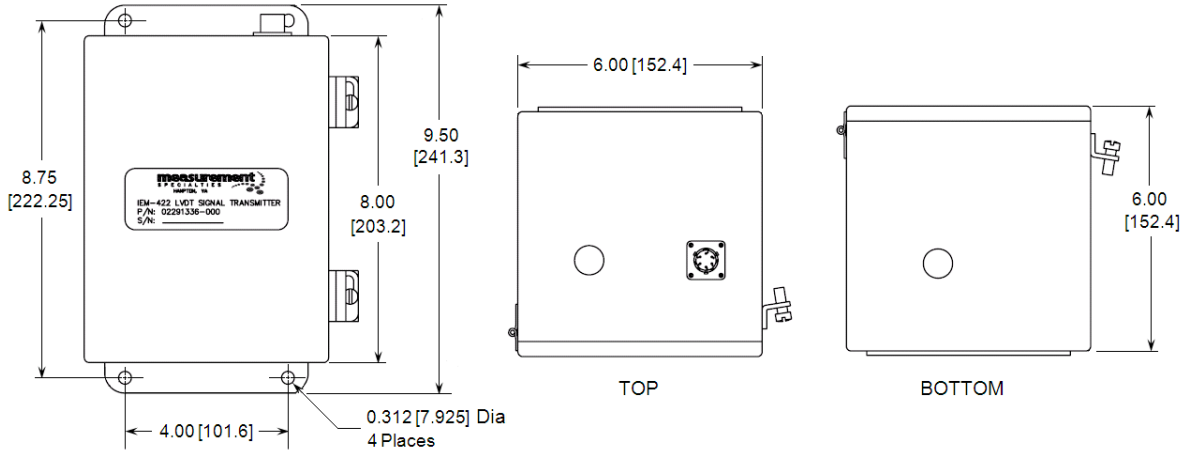
FRO (Full Range Output) is the algebraic difference in measured outputs at the ends of the range

## WIRING



# IEM-422 Line Powered Industrial LVDT/RVDT Current Transmitter

## DIMENSIONS



Dimensions are in inch [mm]

## ORDERING INFORMATION

Description	Part Number
IEM-422 Current Transmitter	02291336-000
Mating connector for LVDT/RVDT, Amphenol/Bendix PTO6A-10-6P(SR)	62101056-000
Cable to connect HCA/HCI/GCA/R36AS to IEM-422, PTO6A-10-6S to PTO6A-10-6P (1)	04290133-000
Cable to connect MP Series LVDT to IEM-422, Stripped & Tinned to PTO6A-10-6P (1)	04290594-000

(1) All cables are shielded, 10 foot long, and rated 80°C [176°F] operating. Consult factory for other lengths.

Download the PSD 40-15 power supply datasheet at: [http://www.meas-spec.com/product/t\\_product.aspx?id=9726](http://www.meas-spec.com/product/t_product.aspx?id=9726)

Download the LDM-1000 signal conditioner datasheet at: [http://www.meas-spec.com/product/t\\_product.aspx?id=2588](http://www.meas-spec.com/product/t_product.aspx?id=2588)

Download the LDM-1000 Operation Manual at: <http://www.meas-spec.com/manuals.aspx>

## TECHNICAL CONTACT INFORMATION

NORTH AMERICA	EUROPE	ASIA
Measurement Specialties, Inc. 1000 Lucas Way Hampton, VA 23666 United States Phone: +1-800-745-8008 Fax: +1-757-766-4297 Email: <a href="mailto:sales@meas-spec.com">sales@meas-spec.com</a> Web: <a href="http://www.meas-spec.com">www.meas-spec.com</a>	MEAS Deutschland GmbH Hauert 13 D-44227 Dortmund Germany Phone: +49-(0)231-9740-0 Fax: +49-(0)231-9740-20 Email: <a href="mailto:info.de@meas-spec.com">info.de@meas-spec.com</a> Web: <a href="http://www.meas-spec.com">www.meas-spec.com</a>	Measurement Specialties China Ltd. No. 26, Langshan Road High-tech Park (North) Nanshan District, Shenzhen 518057 China Phone: +86-755-33305088 Fax: +86-755-33305099 Email: <a href="mailto:info.cn@meas-spec.com">info.cn@meas-spec.com</a> Web: <a href="http://www.meas-spec.com">www.meas-spec.com</a>

The information in this sheet has been carefully reviewed and is believed to be accurate; however, no responsibility is assumed for inaccuracies. Furthermore, this information does not convey to the purchaser of such devices any license under the patent rights to the manufacturer. Measurement Specialties, Inc. reserves the right to make changes without further notice to any product herein. Measurement Specialties, Inc. makes no warranty, representation or guarantee regarding the suitability of its product for any particular purpose, nor does Measurement Specialties, Inc. assume any liability arising out of the application or use of any product or circuit and specifically disclaims any and all liability, including without limitation consequential or incidental damages. Typical parameters can and do vary in different applications. All operating parameters must be validated for each customer application by customer's technical experts. Measurement Specialties, Inc. does not convey any license under its patent rights nor the rights of others.