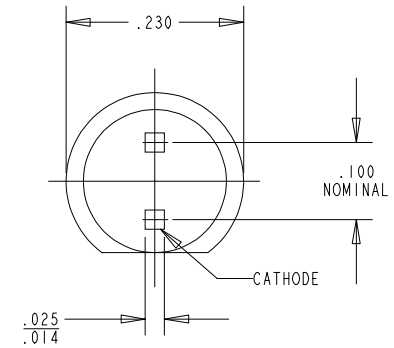
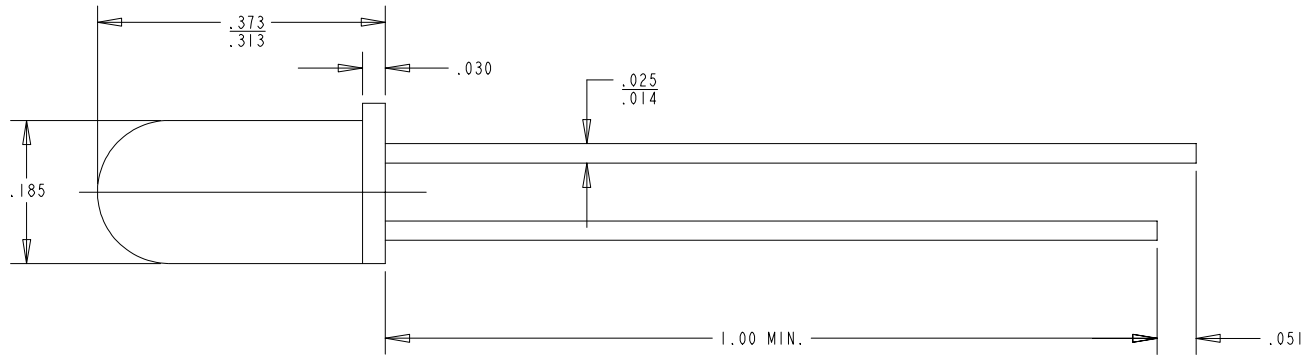


REV.	ECN NO.	REVISIONS	DRN.	CKD.	APP.	DATE
A		UPDATED LED SPEC.	YIS			



LED CHARACTERISTICS	MIN.	TYP.	MAX.	UNITS	TEST CONDITIONS
LUMINOUS INTENSITY	4.2	12.7	21.2	mc d	$I_F = 10 \text{ mA}$
FORWARD VOLTAGE		2.1	2.7	V	$I_F = 10 \text{ mA}$
REVERSE VOLTAGE	5.0			V	$I_F = 100 \text{ }\mu\text{A}$
PEAK WAVELENGTH		565		nm	
DOMINANT WAVELENGTH	562	569	576	nm	
VIEWING ANGLE ( $2\theta$ 1/2)		60		DEG.	$I_F = 10 \text{ mA}$
CAPACITANCE		18.0		pF	$V_F = 0; f = 1 \text{ MHz}$

NOTES:

1. GaP GREEN DIFFUSED EPOXY BODY.
2. SHORT LEAD DENOTES CATHODE.
3. DIALIGHT PART NUMBER: 521-9250.

ABSOLUTE MAXIMUM RATINGS AT 25 °C AMBIENT		UNITS
POWER DISSIPATION	135	mW
CONTINUOUS FORWARD CURRENT	25	mA
PEAK FORWARD CURRENT	90	mA
LEAD SOLDERING TEMPERATURE FOR 5 SEC.	260	°C
OPERATING TEMPERATURE	-20 TO +100	°C
STORAGE TEMPERATURE	-55 TO +100	°C

THIS DRAWING AND THE CONTENTS HEREIN ARE CONFIDENTIAL AND THE SOLE PROPERTY OF DIALIGHT. REPRODUCTION OF THIS DRAWING OR CONSTRUCTION OF ANY PARTS WITHIN THIS DRAWING ARE FORBIDDEN WITHOUT THE WRITTEN CONSENT OF DIALIGHT.		
SCALE: 6:1	DRAWING NUMBER	REV
ALL DIM'S IN: INCHES (MM)	C-14194	A
TOLERANCES: UNLESS OTHERWISE SPECIFIED	TITLE T-1 3/4 (5 mm) GREEN LED	
FRACTIONS: $\pm 1/64$	MATERIAL	
DECIMALS (.XX): $\pm .02$	FINISH:	
DECIMALS (.XXX): $\pm .015$	Dialight	
DECIMALS (.XXXX): $\pm .0005$	1501 ROUTE 34 SOUTH	
ANGLES: $\pm 3^\circ$	FARMINGDALE, NJ 07727	
FSCM 83330	SHEET OF	FAMILY TABLE:

# Mouser Electronics

Authorized Distributor

Click to View Pricing, Inventory, Delivery & Lifecycle Information:

[Dialight:](#)

[521-9250F](#)