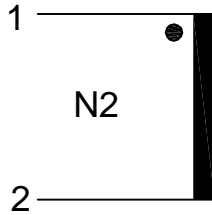




Part Number	CT 1020
Customer	
Product Type	Current transformer

**SCHEMATIC:**



**ELECTRICAL SPECIFICATION:**

- Rated input current : 20Amps
- Primary to Secondary isolation : 2500VAC
- Operating frequency : 50 / 60Hz
- Turns ratio : 1:1000
- DCR : 41.80Ω
- $I_o @ V_{rms} = 2.65V$  : 628μArms
- Ratio correction factor (RCF\*) : 1.01 @10% ( Multiply current reading by this factor to compensate for transformer losses)
- Operating temperature range : -55°C to 120°C
- Flammability rating : UL 94V0

Volt/Amp at rated $I_p$ for different loads			
100Ω	500Ω	2000Ω	5000Ω
0.10	0.43	0.76	0.93

**LOAD TEST DETAILS:**

Rated  $I_p=20A$   
 $R_L=100\Omega/0.040W$   
 $U_s=2.0V$

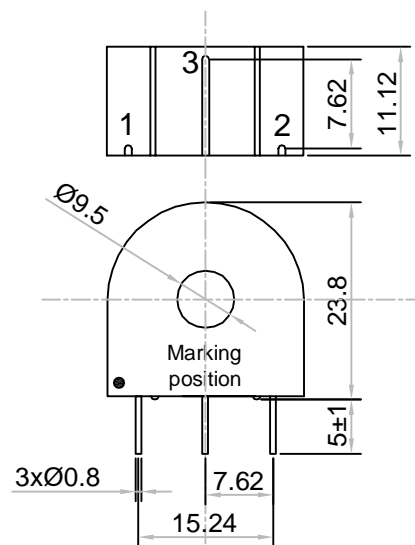
**MARKING INFORMATION:**

AMGIS  
 YY/WW CT1020

**Trafo Weight:**

0.017Kg/pc

**MECHANICAL DIMENSIONS:**



All dimensions are in mm  
 Linear dimensional tolerance  $\pm 0.2mm$