

INCANDESCENT PANEL MOUNT INDICATORS



021 SERIES FOR 11/16" MOUNTING HOLE • LIGHT SHIELD

BASE PART NO.	VOLTAGE	FIG
021-0410-29-301	2-120	1

CAP PART NO.	COLOR	FIG
021-2900-300	NO LENS	2

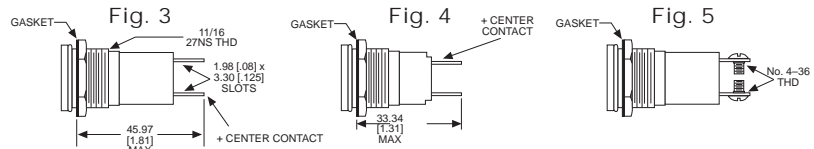
Material & Finish: Chrome Plated Brass



Uses:
T-3 1/4 MINIATURE
BAYONET BASE
INCANDESCENT LAMP

052, 081, 095, 135 SERIES FOR 11/16" MOUNTING HOLE • WATERTIGHT

BASE PART NO.	VOLTAGE	FIG
081-0410-01-303	2-120	3
081-1059-01-303†	2-120	4
081-1310-01-303	2-120	5



† Part No. 081-1059-01-303 uses T2 Telephone Slide Base Lamp (PSB Type); CSA certified

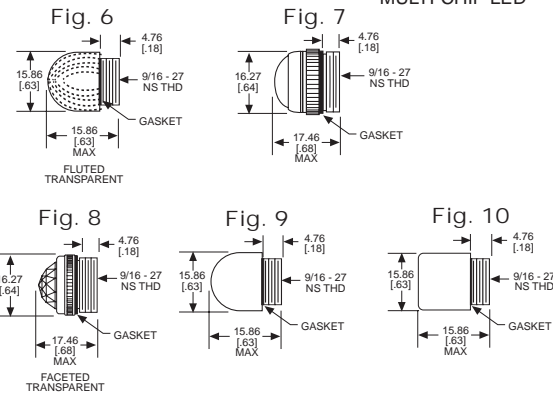
** Dialight recommends: transparent lens caps for Based LED;
Clear lens caps for green Based LEDs

Uses:
T-3 1/4 MINIATURE BAYONET BASE
INCANDESCENT LAMP,
CLUSTER BASED LED** OR
MULTI-CHIP LED**

CAP PART NO. *	COLOR	FIG	CAP PART NO. *	COLOR	FIG
052-3191-003	RED	6	081-0433-303	AMBER	8
052-3192-003	GREEN	6	081-0435-303	WHITE	8
052-3193-003	AMBER	6	081-0437-303	CLEAR	8
052-3195-003	WHITE	6	095-3137-003	CLEAR	9
052-3197-003	CLEAR	6	095-3171-003	RED	9
081-0111-303	RED	7	095-3172-003	GREEN	9
081-0112-303	GREEN	7	095-3173-003	AMBER	9
081-0113-303	AMBER	7	095-3175-003	WHITE	9
081-0117-303	CLEAR	7	135-3237-003	CLEAR	10
081-0135-303	WHITE	7	135-3271-003	RED	10
081-0137-303	CLEAR	7	135-3272-003	GREEN	10
081-0431-303	RED	8	135-3273-003	AMBER	10
081-0432-303	GREEN	8	135-3275-003	WHITE	10

Material & Finish: Base - Chrome Plated Brass,
Cap - Polycarbonate with Chrome Plated Bezel on
the 081 Series Fig. 7 and Fig. 8.

** Dialight recommends: transparent lens caps for
Based LED; Clear lens caps for green Based LEDs

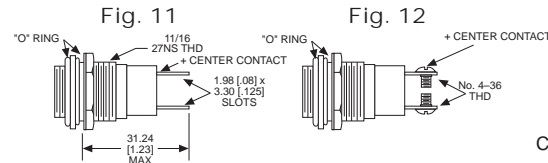


***PART NUMBER ORDERING CODE**
081-0xxx-303
Series Lens Finish:
1 = Back Frosted
(Not available in white)
3 = Transparent**

***PART NUMBER ORDERING CODE**
095 - 31xx - 003
135 - 32xx - 003
Series Lens Finish:
3 = Transparent**
7 = Translucent
(Not available in clear)

125 SERIES FOR 11/16" MOUNTING HOLE • OILTIGHT*

BASE PART NO.	VOLTAGE	FIG
125-0410-11-103	2-120	11
125-1310-11-103	2-120	12



Uses:
T-3 1/4 MINIATURE
BAYONET BASE
INCANDESCENT LAMP,
CLUSTER BASED LED**,
OR MULTI-CHIP LED**

CAP PART NO.	COLOR	FIG	CAP PART NO.	COLOR	FIG
125-1131-403	RED	13	125-1191-403	RED	14
125-1132-403	GREEN	13	125-1192-403	GREEN	14
125-1133-403	AMBER	13	125-1193-403	AMBER	14
125-1135-403	WHITE	13	125-1195-403	WHITE	14
125-1137-403	CLEAR	13	125-1197-403	CLEAR	14

Material & Finish: Base - Nickel Plated Brass
Cap - Polycarbonate with Chrome Plated Brass Bezel

* See Page 14 for Oiltight information
Neon and incandescent lamp information on Pages 35 and 36.
Based LED lamp information on Pages 37 through 40.



***PART NUMBER ORDERING CODE**
125 - 11xx - 403
Series Lens Finish:
1 = Back Frosted
(Not available in white)
3 = Transparent**

** Dialight recommends: transparent lens caps for Based LED; Clear lens caps for green Based LEDs



Mouser Electronics

Authorized Distributor

Click to View Pricing, Inventory, Delivery & Lifecycle Information:

Dialight:

[125-1131-203](#) [125-1111-403](#) [135-3271](#) [125-1197-403](#) [135-3272](#) [125-1132-403](#) [125-1194-403](#) [095-3137](#) [135-3274-003](#) [095-3134-003](#) [125-1191-403](#) [125-1133-203](#) [135-3275](#) [125-1134-403](#) [125-1117-403](#) [135-3237-003](#) [125-1193-403](#) [125-1131-403](#) [135-3273](#) [125-1114-403](#) [125-1191-303](#) [135-3276](#) [135-3272-003](#) [095-3132-003](#) [095-3136-003](#) [125-1136-403](#) [135-3273-003](#) [125-1113-403](#) [125-1112-403](#) [081-1059-01-303](#) [135-3271-003](#) [125-1133-403](#)