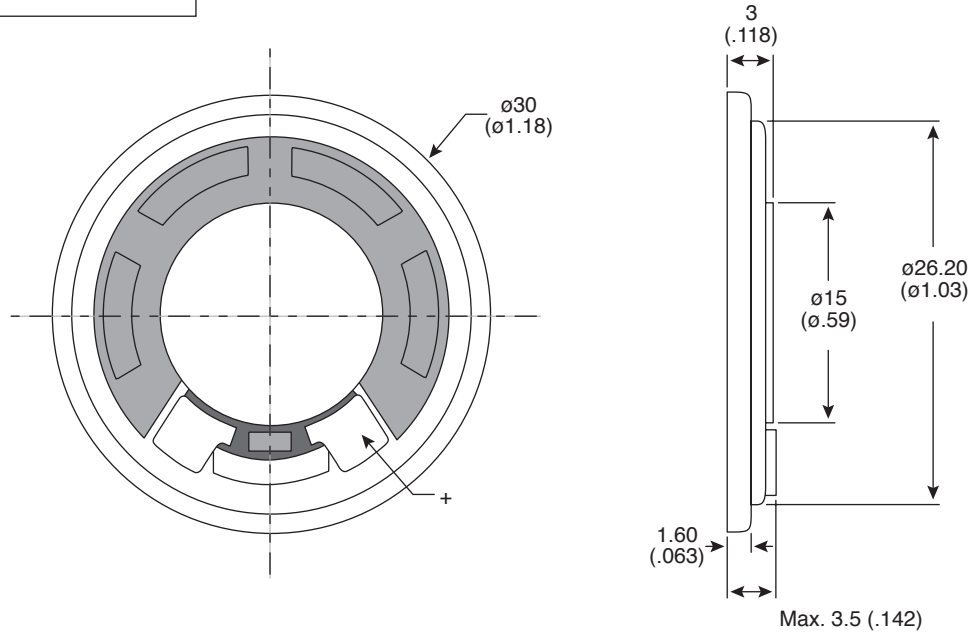
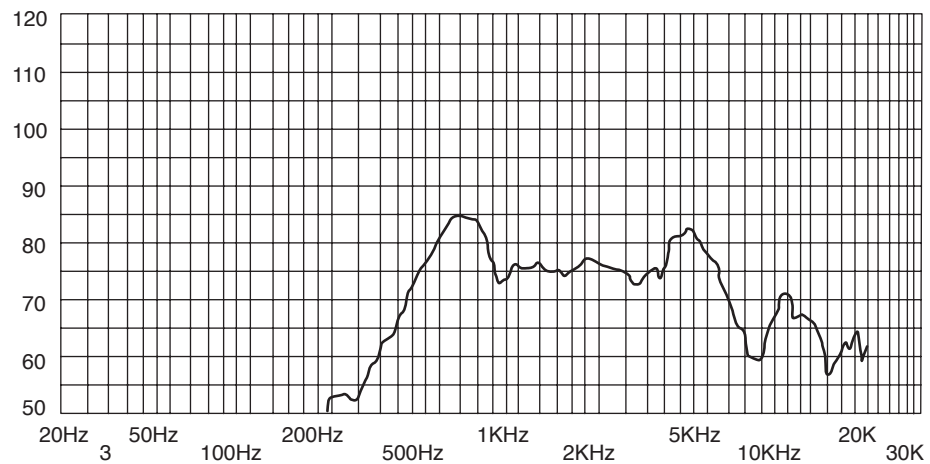


**Part Number:**

254-PS605-RO



**Speaker**



KT-400259

**Electrical Specifications:**

- Nominal Impedance:  $8\Omega \pm 15\%$  @ 1,500Hz
- Power Rating: Normal 100mW Maximum 200mW
- Lowest Resonant Frequency:  $550 \pm 150$ Hz.
- Output Sound Pressure Level (S.P.L.):  $76 \pm 3$ dB / 0.1W 0.5 Meter. Avg at 800 ~ 1500Hz.
- Frequency Range: 350 ~ 6,800Hz
- Distortion: Max. 5% at 800Hz. 100mW

**Material:**

- Magnet: Rare Earth
- Weight: 4.2g
- RoHS Compliant

# Mouser Electronics

Authorized Distributor

Click to View Pricing, Inventory, Delivery & Lifecycle Information:

[Kobitone:](#)

[254-PS605-RO](#)