

MODEL NUMBER
ADT-2580-NM-SMM-02

NOTES:

1.0 MATERIALS:

- 1.1 HOUSING: STAINLESS STEEL PER ASTM-A582, TYPE 303.
- 1.2 CENTER CONTACT: BERYLLIUM COPPER ROD ALLOY C172, PER ASTM-B194.
- 1.3 DIELECTRIC: PTFE FLUOROCARBON PER

2.0 PLATING:

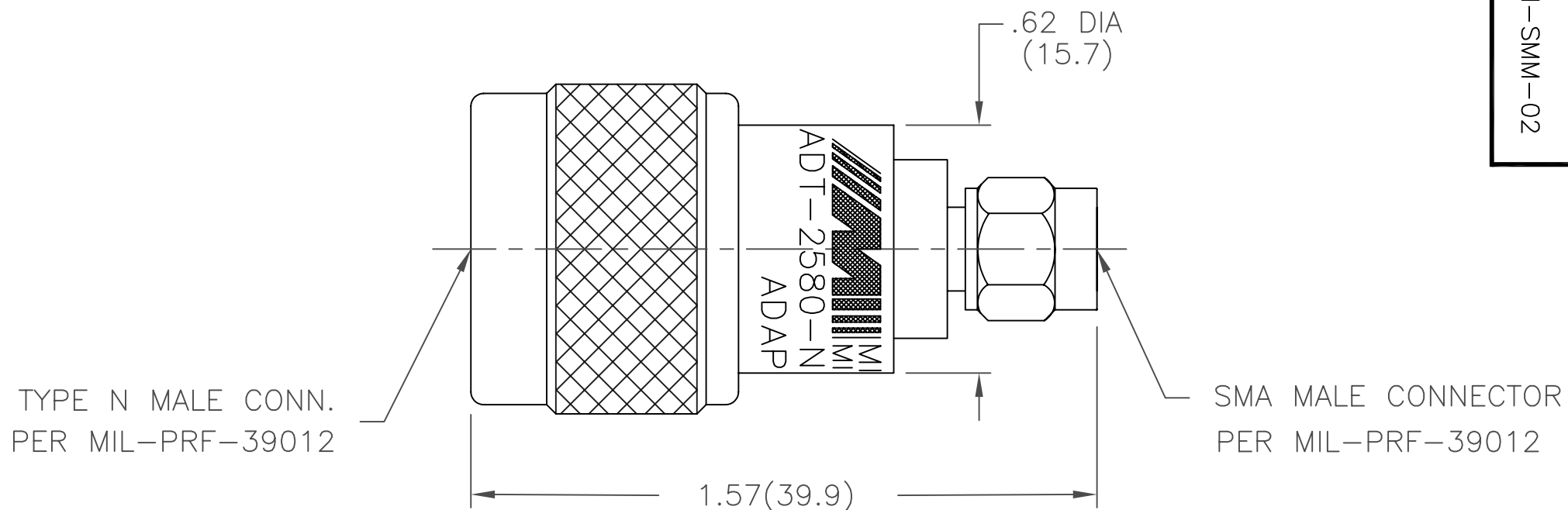
- 2.1 HOUSING & NUTS: PASSIVATED PER MIL-F-14072 AND QQ-P-35
- 2.2 CENTER CONTACT: GOLD PER MIL-G-45204, TYPE II, CLASS 2.

3.0 ELECTRICAL SPECIFICATION:

- 3.1 FREQUENCY RANGE: DC to 18.0 GHz
- 3.2 VSWR (MAXIMUM):
 - DC to 4.0 GHz: 1.04:1
 - 4.0 to 8.0 GHz: 1.07:1
 - 8.0 to 18.0 GHz: 1.12:1

4.0 DIMENSIONS IN PARENTHESIS ARE IN MILLIMETERS

5.0 MARKING: MARK UNIT AS SHOWN
(REF.; INK-02669-27-05)



DWG NO. WAS: 02413-01-00

REV.	DESCRIPTION	DATE
I	RELEASED	8/9/78
A	ECR 6545	6/28/89
B	REDRAW ON CAD	3/31/92
B1	ADDED TITLEBLOCK	3/9/05

NOTICE: The information contained in this drawing is proprietary and must not be used without the permission of Emerson Network Power. UNLESS OTHERWISE NOTED DIMENSIONS ARE IN INCHES AND TOLERANCES ARE: 3 PLACE DECIMALS ±.005 2 PLACE DECIMALS ±.02 FRACTIONS ±1/64 PARALLELITY: T.I.R. _____ FLATNESS: T.I.R. _____ CONCENTRICITY: T.I.R. _____ ANGLES AND PERPENDICULARITY: ±1°	CAGE CODE 34078	MIDWEST MICROWAVE	
	 EMERSON Network Power Connectivity Solutions	TITLE TYPE N MALE TO SMA MALE ADAPTER OUTLINE DRAWING	
DRAWN/DATE A.BEATTY 3/30/92	ENG./DATE A.OSGA 4/15/92	DRAWING NUMBER ADT-2580-NM-SMM-02-01	REV. B1
CHECKED/DATE	APPROVED/DATE	SCALE: 2=1	SHEET 1 of 1

Mouser Electronics

Authorized Distributor

Click to View Pricing, Inventory, Delivery & Lifecycle Information:

[Emerson Connectivity Solutions:](#)

[ADT-2580-NM-SMM-02](#)