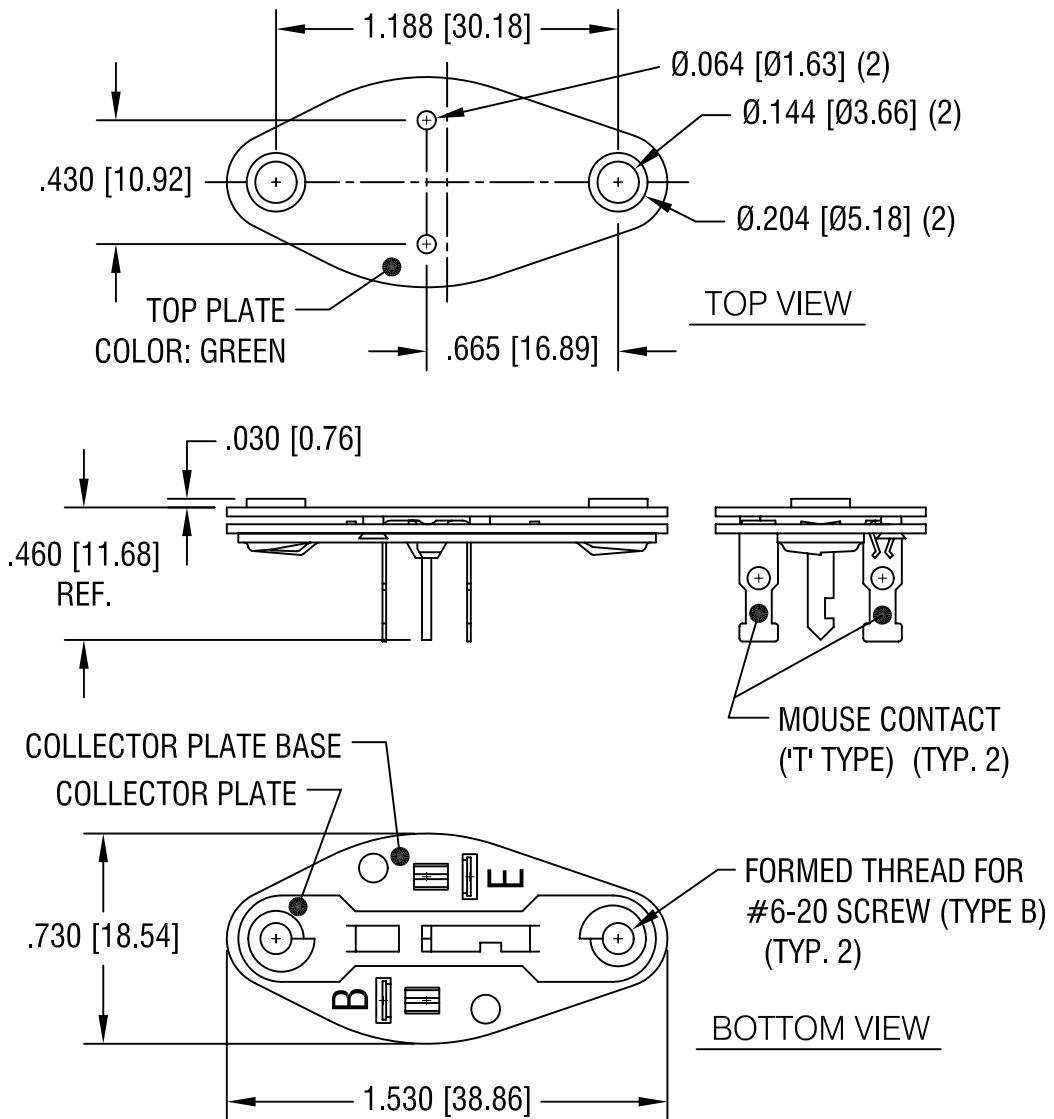


THIS DOCUMENT IS THE PROPERTY OF KEYSTONE ELECTRONICS CORP. AND SHALL NOT BE REPRODUCED, DISTRIBUTED OR USED AS A BASIS FOR MANUFACTURE WITHOUT PRIOR WRITTEN PERMISSION FROM KEYSTONE ELECTRONICS CORP.



NOTES:

- TOP PLATE: COLOR - GREEN
MAT'L - NYLON 6/6 UL 94V-2
- COLLECTOR PLATE BASE:
MAT'L - .032 [0.81] TH'K PHENOLIC
- COLLECTOR PLATE:
MAT'L - .032 [0.81] TH'K STEEL
FINISH - TIN PLATE
- MOUSE CONTACT ('T' TYPE):
MAT'L - .013 [0.33] TH'K BRASS
FINISH - TIN PLATE

10.1.03	CHANGE AS PER ECN 03-071	A
DATE	DESCRIPTION	REV.

KEYSTONE ELECTRONICS CORP.			
ASTORIA, N.Y. 11105-2017			
PART NAME			
TO-3 POWER TRANSISTOR SOCKET			
MATERIAL			
AS NOTED			
FINISH		DRN BY	DATE
AS NOTED		BOONE	4.26.82
		APPD	SCALE
		LN	1.5X
TOLERANCES	INCH	CODE	DWG NO.
DECIMAL	± .005 [± 0.15]	C	4603
ANGULAR	± 1°		
UNLESS OTHERWISE SPECIFIED			

Mouser Electronics

Authorized Distributor

Click to View Pricing, Inventory, Delivery & Lifecycle Information:

[Keystone Electronics:](#)

[4603](#)