

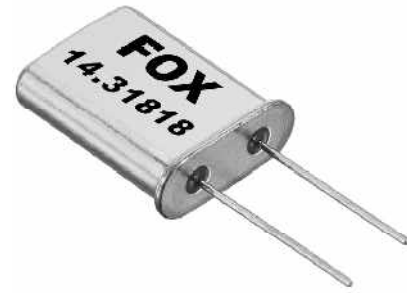
# RESISTANCE WELD THRU-HOLE CRYSTAL HC49U

## FEATURES

- Low Cost
- Stocking Standard
- High Frequency Range
- Fundamental to 40 MHz
- Resistance Weld

## OPTIONS

- Tolerances to < 5 PPM
- Stabilities to < 3 PPM
- Temperatures to -40°C ~ -85°C
- Mylar Spacer
- Vinyl Sleeve
- Third Lead
- SMD Gullwing (HC49UW)

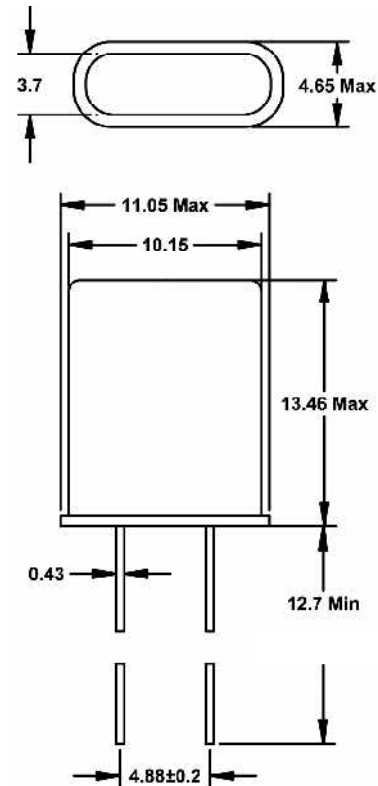


# DISCONTINUED

• STANDARD SPECIFICATIONS <sup>1</sup>	
PARAMETERS	MAX (unless otherwise noted)
Frequency Range	1.8432 ~ 180.000 MHz
Frequency Tolerance @ 25°C	±30 PPM
Frequency Stability, ref @ 25°C Over Operating Temp Range	±50 PPM
Temperature Range	
Operating (TOPR)	-20°C ~ +70°C
Storage (TSTG)	-40°C ~ +85°C
Shunt Capacitance (Co)	7.0 pF
Load Capacitance (CL)	10 pF ~ Series (Customer Specified)
Drive Level	
1.8432 ~ 3.000 MHz	2.0 mW
3.000+ ~ 180.000 MHz	1.0 mW
Aging per year	±5 PPM

<sup>1</sup> Other tolerances, stabilities & operating temperature ranges available. Consult Fox Customer Service for specific requirements.

All specifications subject to change without notice. Rev. 02/10/03



All dimensions are in millimeters.

Frequency Range (MHz)	Operating Mode	Max ESR W
1.8432 ~ 2.000	Fundamental	750
2.000+ ~ 2.400	Fundamental	500
2.400+ ~ 3.000	Fundamental	300
3.000+ ~ 3.200	Fundamental	200
3.200+ ~ 3.700	Fundamental	120
3.700+ ~ 4.200	Fundamental	100
4.200+ ~ 4.900	Fundamental	70
4.900+ ~ 5.000	Fundamental	55
5.000+ ~ 6.000	Fundamental	50
6.000+ ~ 8.000	Fundamental	40
8.000+ ~ 10.000	Fundamental	35
10.000+ ~ 12.500	Fundamental	30
12.500+ ~ 16.000	Fundamental	25
16.000+ ~ 40.000	Fundamental	20
23.000+ ~ 75.000	3rd OT	40
60.000 ~ 110.000	5th OT	80
110.000 ~ 180.000	7th OT	120

# Mouser Electronics

Authorized Distributor

Click to View Pricing, Inventory, Delivery & Lifecycle Information:

[Fox:](#)

[FOXLF018S](#) [FOXLF020S](#) [FOXLF024S](#) [FOXLF0368-20](#) [FOXLF036S](#) [FOXLF100-20](#) [FOXLF111-20](#) [FOXLF115-20](#)  
[FOXLF120-20](#) [FOXLF250F-20](#) [FOXLF073-20](#) [FOXLF100](#) [FOXLF200-20](#) [FOXLF240F-20](#) [FOXLF320-20](#)  
[FOXLF143-20](#) [FOXLF160-20](#) [FOXLF147-20](#)