

## DETAILS

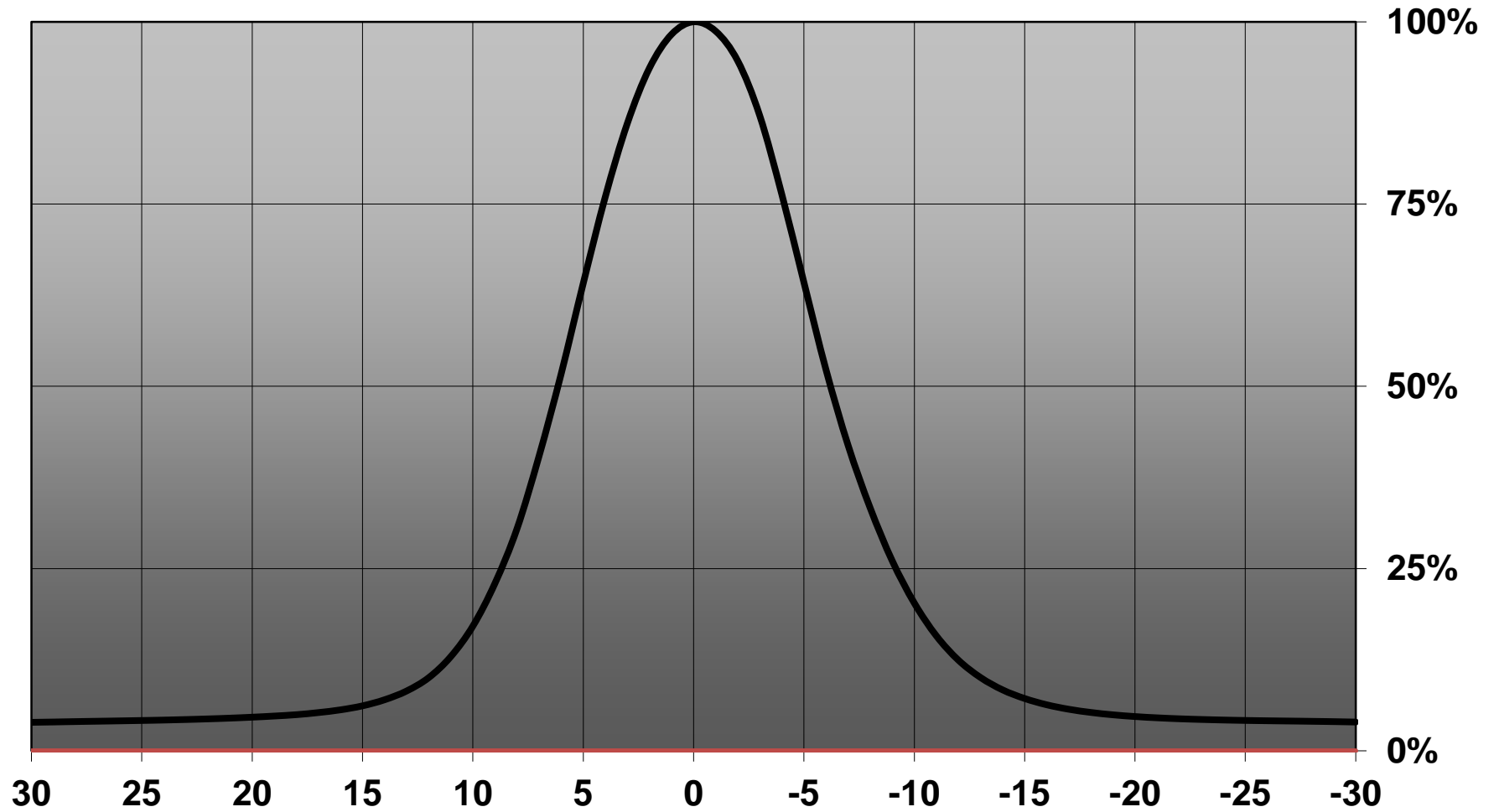
<b>Product Number</b>	CN13770_MIRELLA-50-S-CL-PF
<b>Family</b>	Mirella
<b>Type</b>	RefPack
<b>Color</b>	metal
<b>Diameter</b>	49,9 mm
<b>Height</b>	25.7 mm
<b>Style</b>	round
<b>Optic Material</b>	PC
<b>Holder Material</b>	PC
<b>Fastening</b>	
<b>Status</b>	ready
<b>ROHS Compliant</b>	Yes
<b>Date Updated</b>	2/09/2013



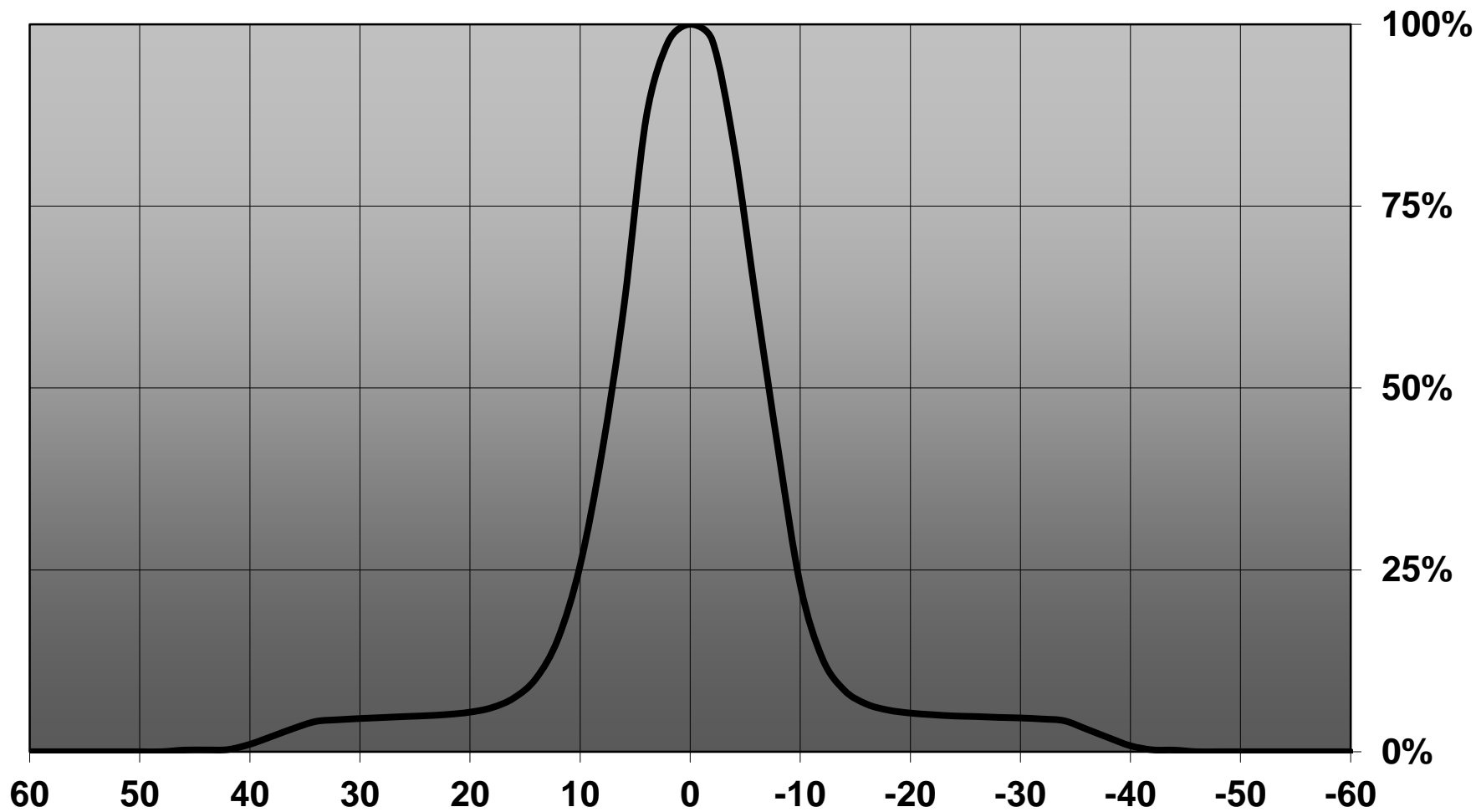
## OPTICAL PROPERTIES

LED	Viewing Angle	Light Beam	Efficiency	cd/lm	connector
CXA1304	12 degrees		82 %	8.500	-
V6	13 degrees		84 %	7.400	-
Soleriq P6	14 degrees		84 %	7.250	-
V8	16 degrees		84 %	4.900	-
STARK SLE PURE G3 LES10	18 degrees		82 %	4.700	-
Soleriq P9	19 degrees		84 %	4.240	-
CXA15xx	19 degrees		84 %	4.300	-

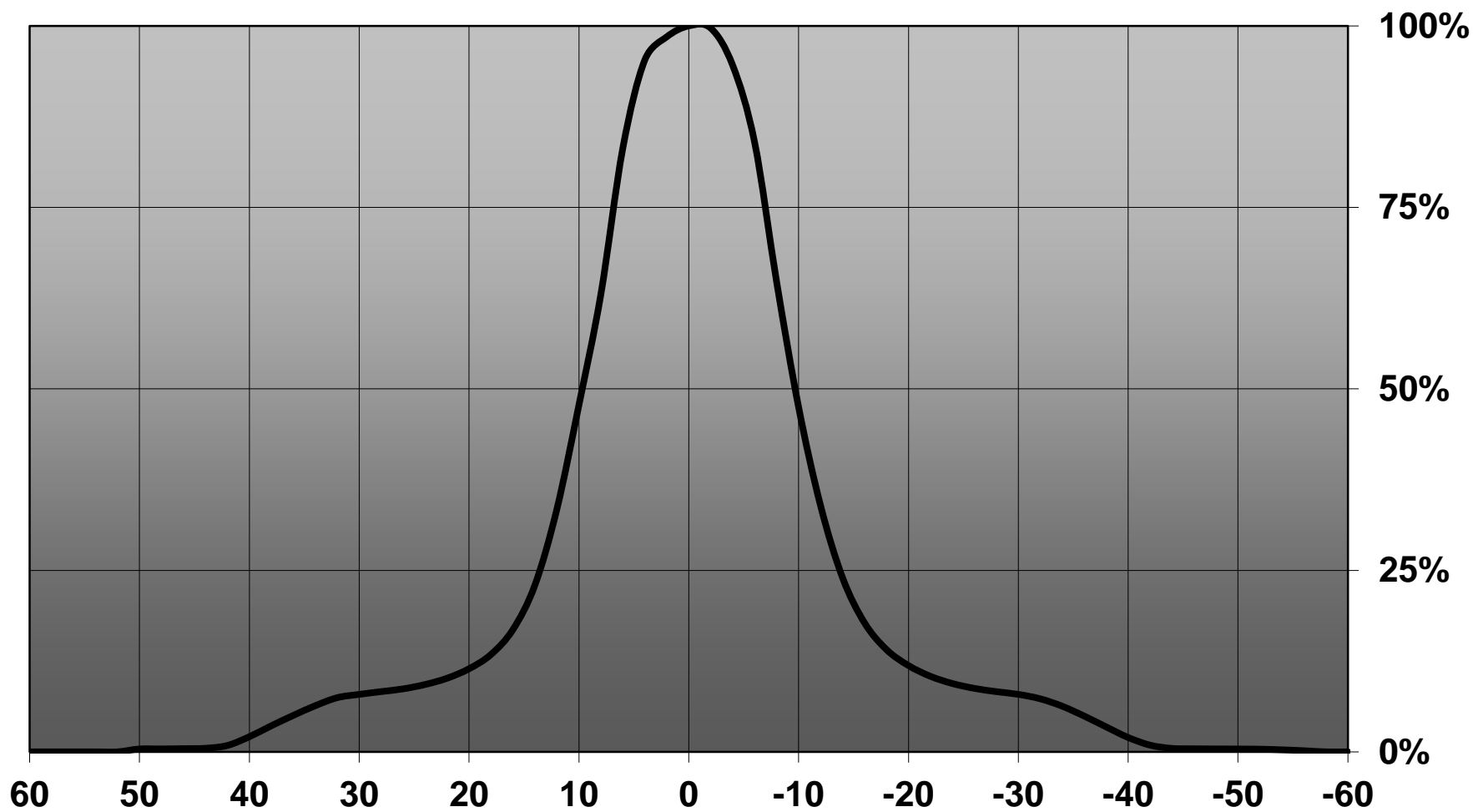
Relative intensity of CN13770\_MIRELLA-50-S-CL-PF\_(CXA1304)



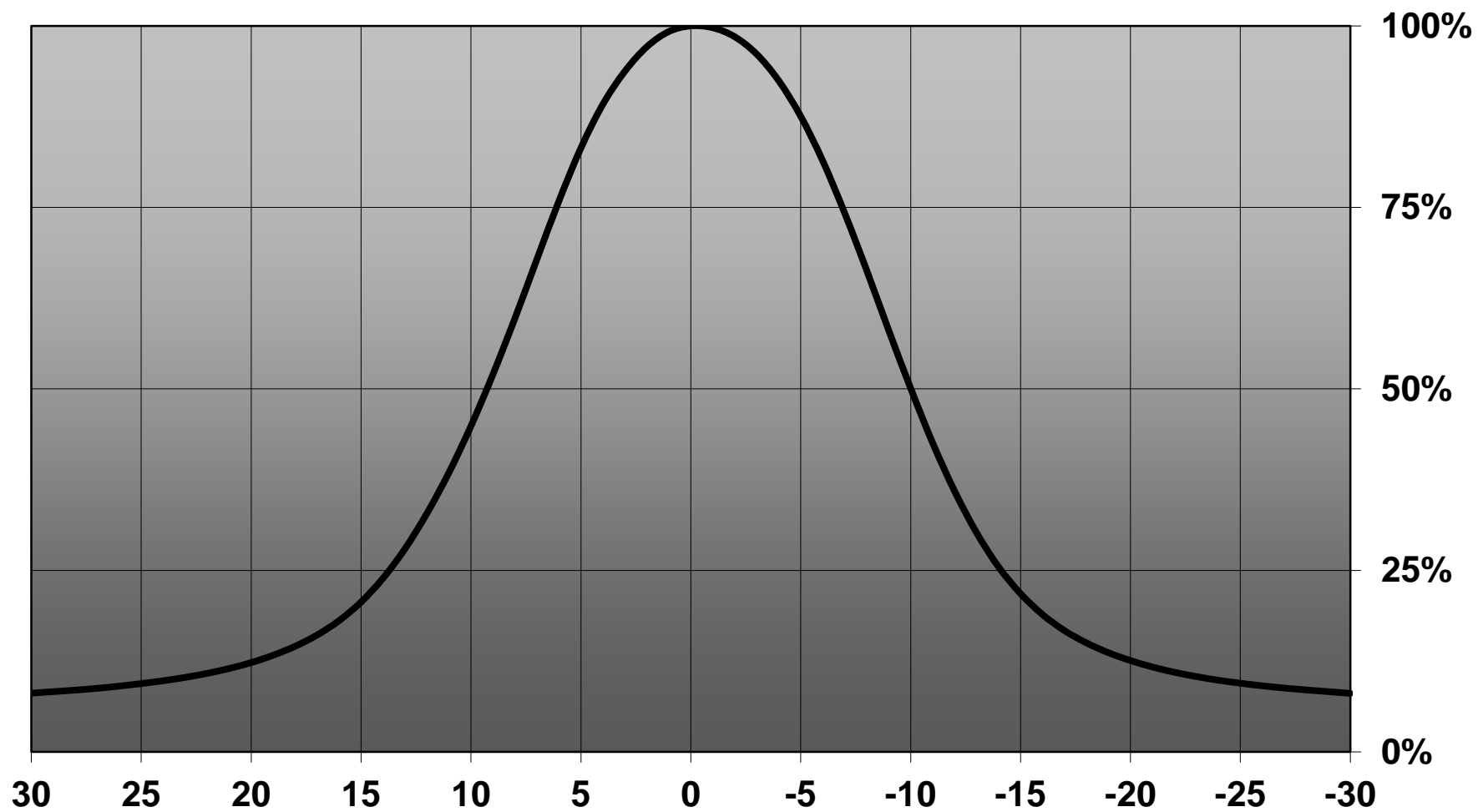
Relative intensity of CN13770\_MIRELLA-50-S-CL-PF\_(Soleriq P6)



Relative intensity of CN13770\_MIRELLA-50-S-CL-PF\_(Soleriq P9)



Relative intensity of CN13770\_MIRELLA-50-S-CL-PF (CXA15)



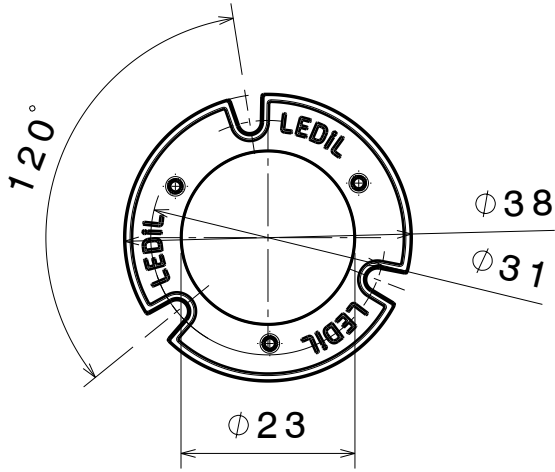
D

C

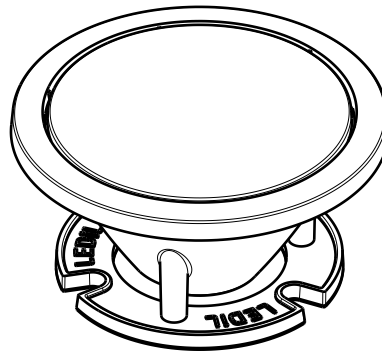
B

A

4

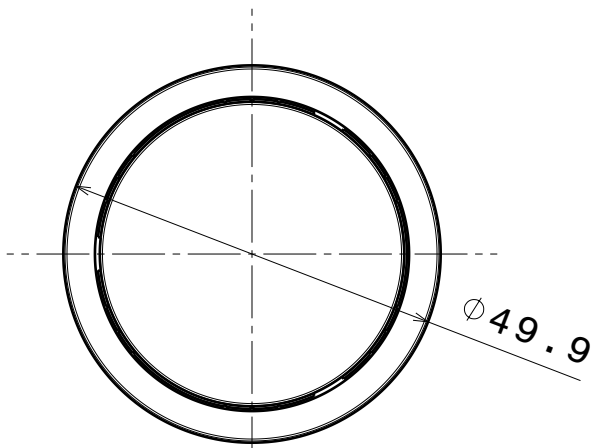


Front view

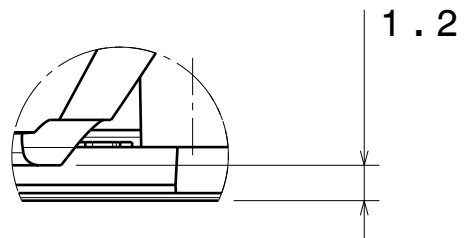


Isometric view

3

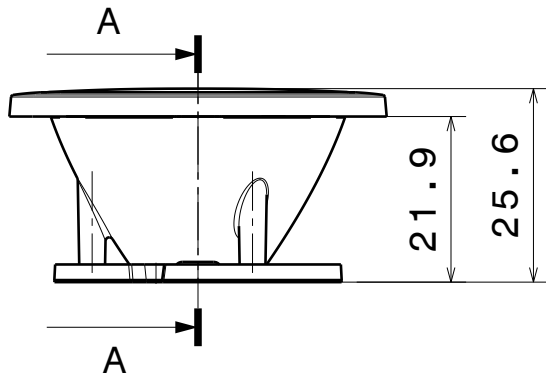


Top view

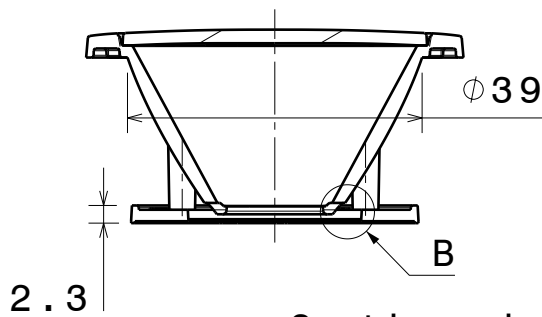


Detail B

2



Front view



Section view A-A

4

3

2

1

Tolerances if not otherwise shown  
 According to DIN ISO 2768-1  
 Linear measures:  
 Up to 30mm class M, otherwise class C.  
 According to DIN ISO 2768-2  
 Form and position: class L

**LEDiL** Ledil Oy  
 Salorankatu 10  
 FIN 24240 SALO  
 Finland

THIRD ANGLE PROJECTION:

DRAWING TITLE  
**MIRELLA-PF CXA15 Datasheet**

This drawing is the property of LEDiL Oy. It may not be reproduced, copied or communicated without a written agreement with LEDiL Oy.

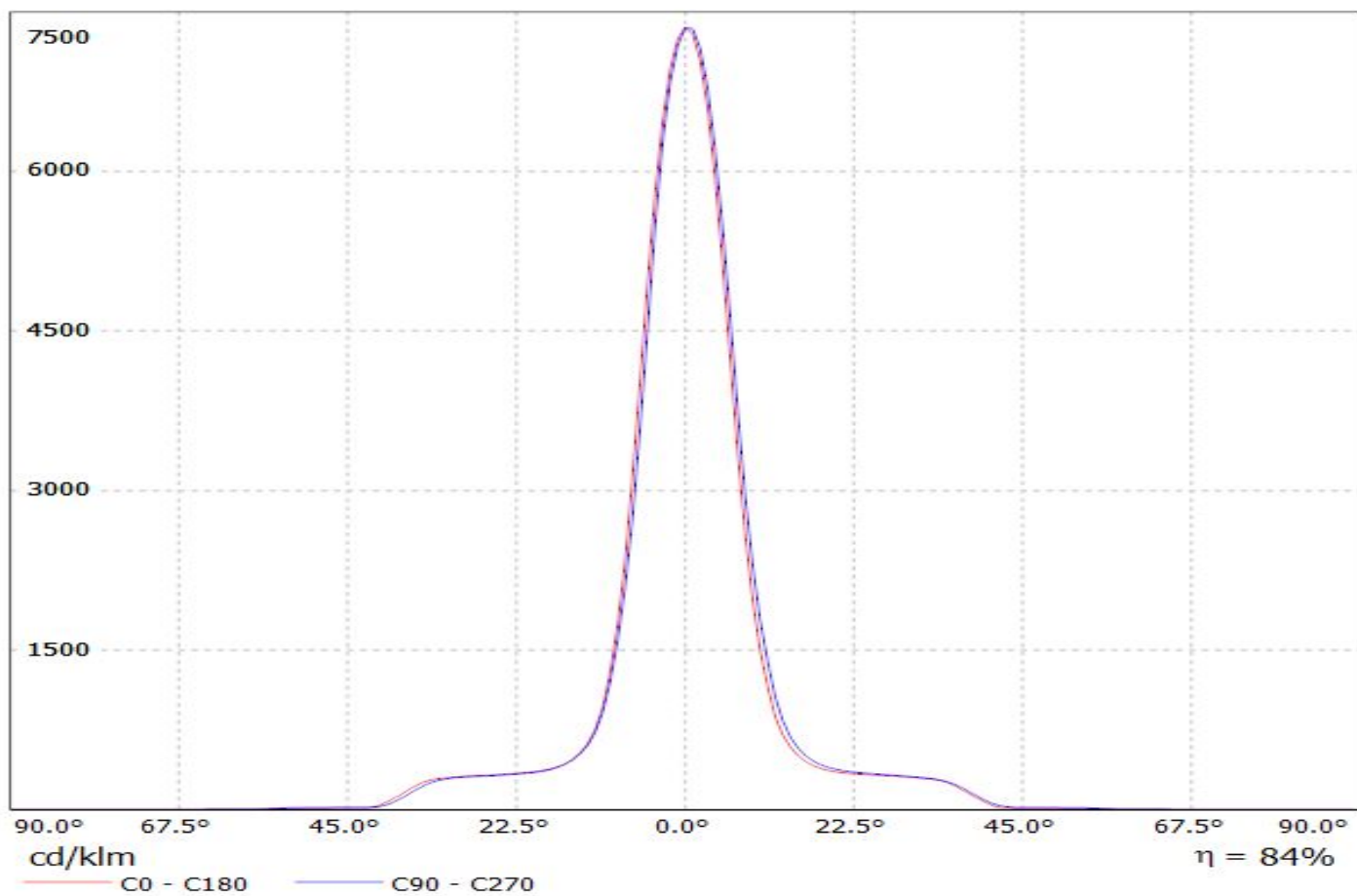
SIZE	PART NUMBER		
A4	-		

SCALE	1:1	WEIGHT	-	SHEET	1/1
-------	-----	--------	---	-------	-----

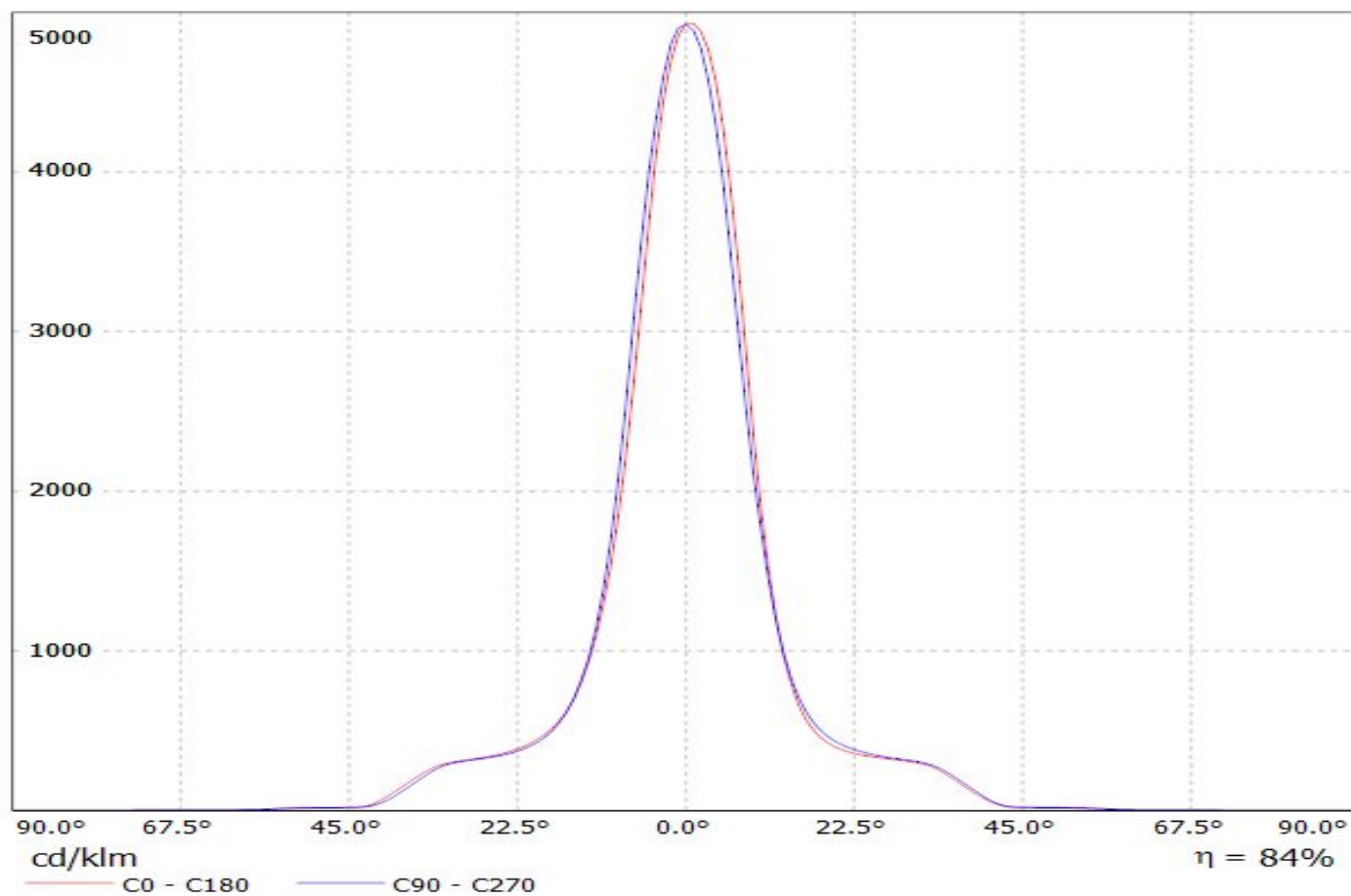
D

A

Luminaire: LEDiL Oy CN13770\_MIRELLA-50-S-CL-PF\_(V6) Eff.84.2%  
Lamps: 1 x BRIDGELUX\_V6\_488.215lm@250mA\_P=5.22041W\_I=249.9mA

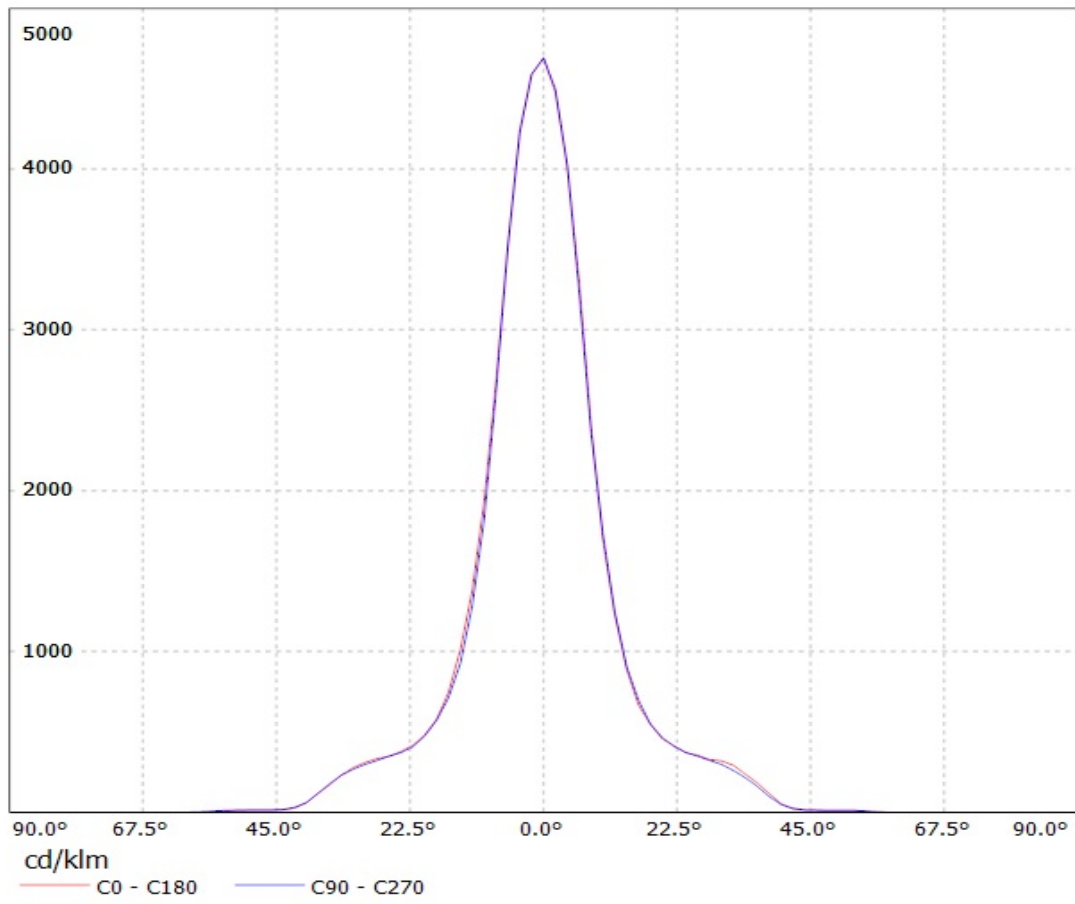


Luminaire: LEDiL Oy CN13770\_MIRELLA-50-S-CL-PF\_(V8) Eff.84.5%  
Lamps: 1 x BRIDGELUX\_V8\_847.064lm@250mA\_P=8.83692W\_I=249.8mA

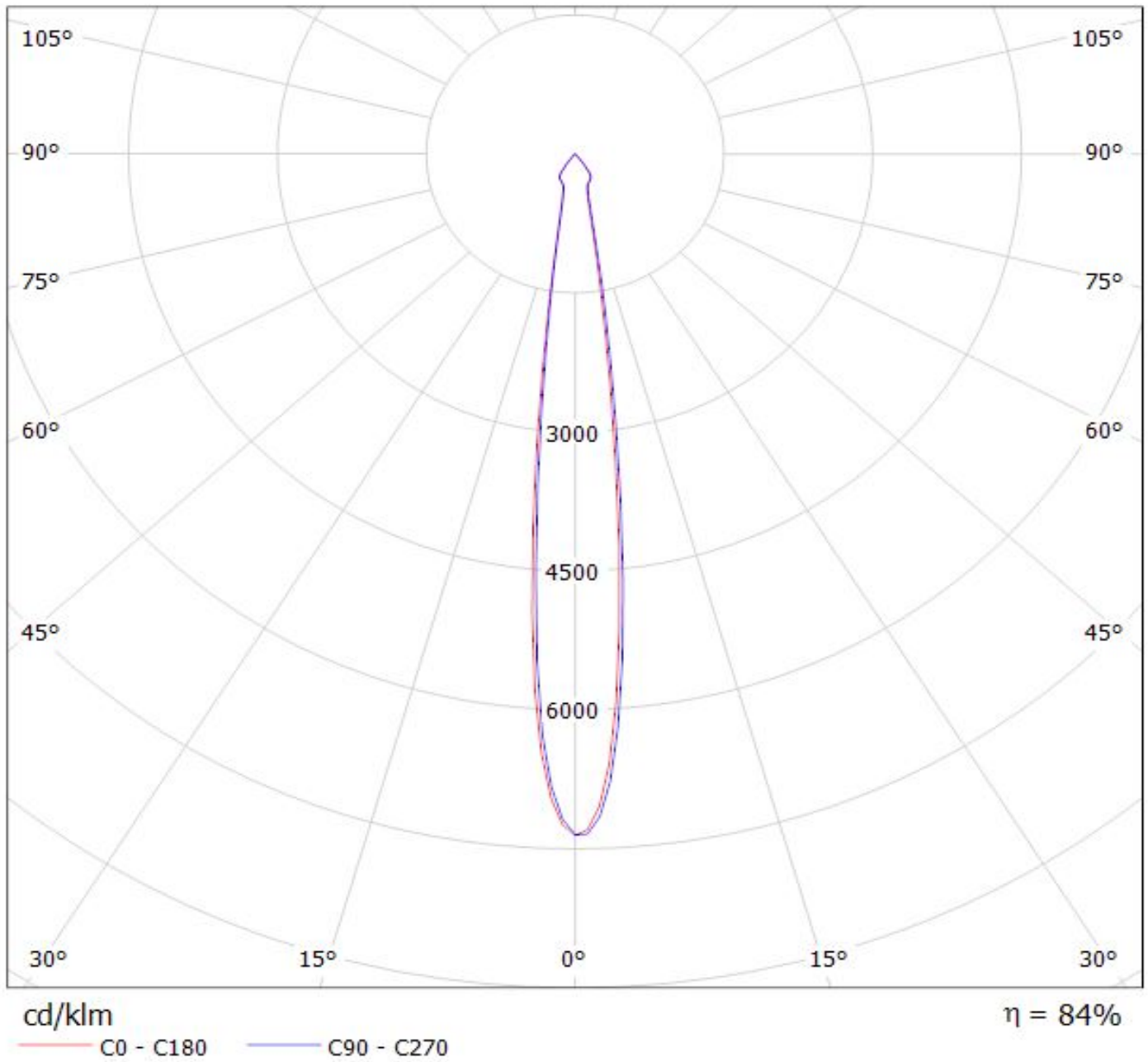




Luminaire: LEDil Oy CN13770 MIRELLA-50-S-CL-PF\_(STARK\_SLE\_G3\_LES10) Efficiency=82%  
Lamps: 1 x Tridonic Stark SLE G3 LES10 (STARK-SLE-PURE-G3-10-1000-830-CLA) 453lm @ 250mA CCT=3000K P=4.3W I=250mA

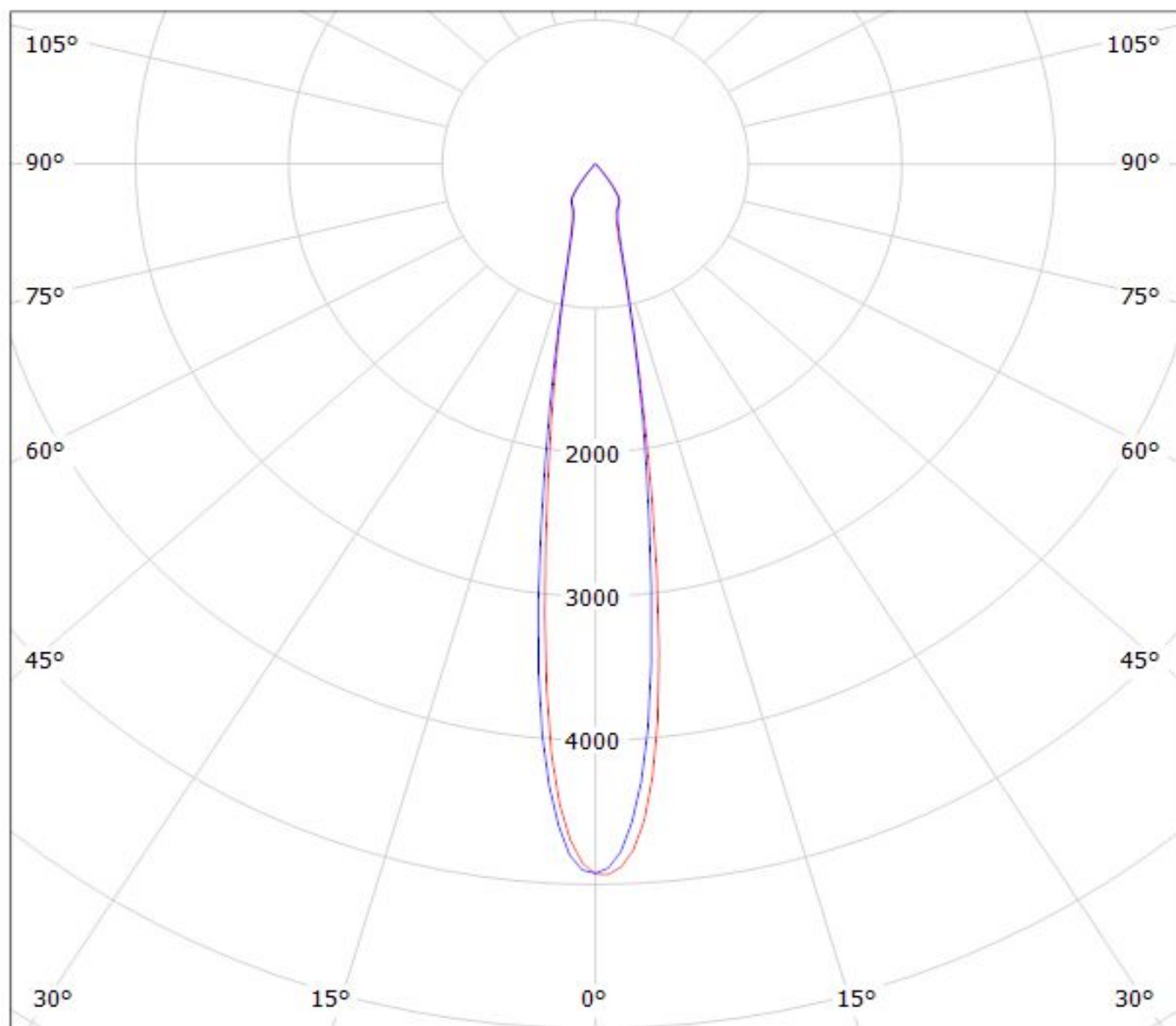


Luminaire: LEDiL Oy CN13770\_MIRELLA-50-S-CL-PF\_(V6) Eff.84.2%  
Lamps: 1 x BRIDGELUX\_V6\_488.215lm@250mA\_P=5.22041W\_I=249.9mA



Luminaire: LEDiL Oy CN13770\_MIRELLA-50-S-CL-PF\_(V8) Eff.84.5%

Lamps: 1 x BRIDGELUX\_V8\_847.064lm@250mA\_P=8.83692W\_I=249.8mA



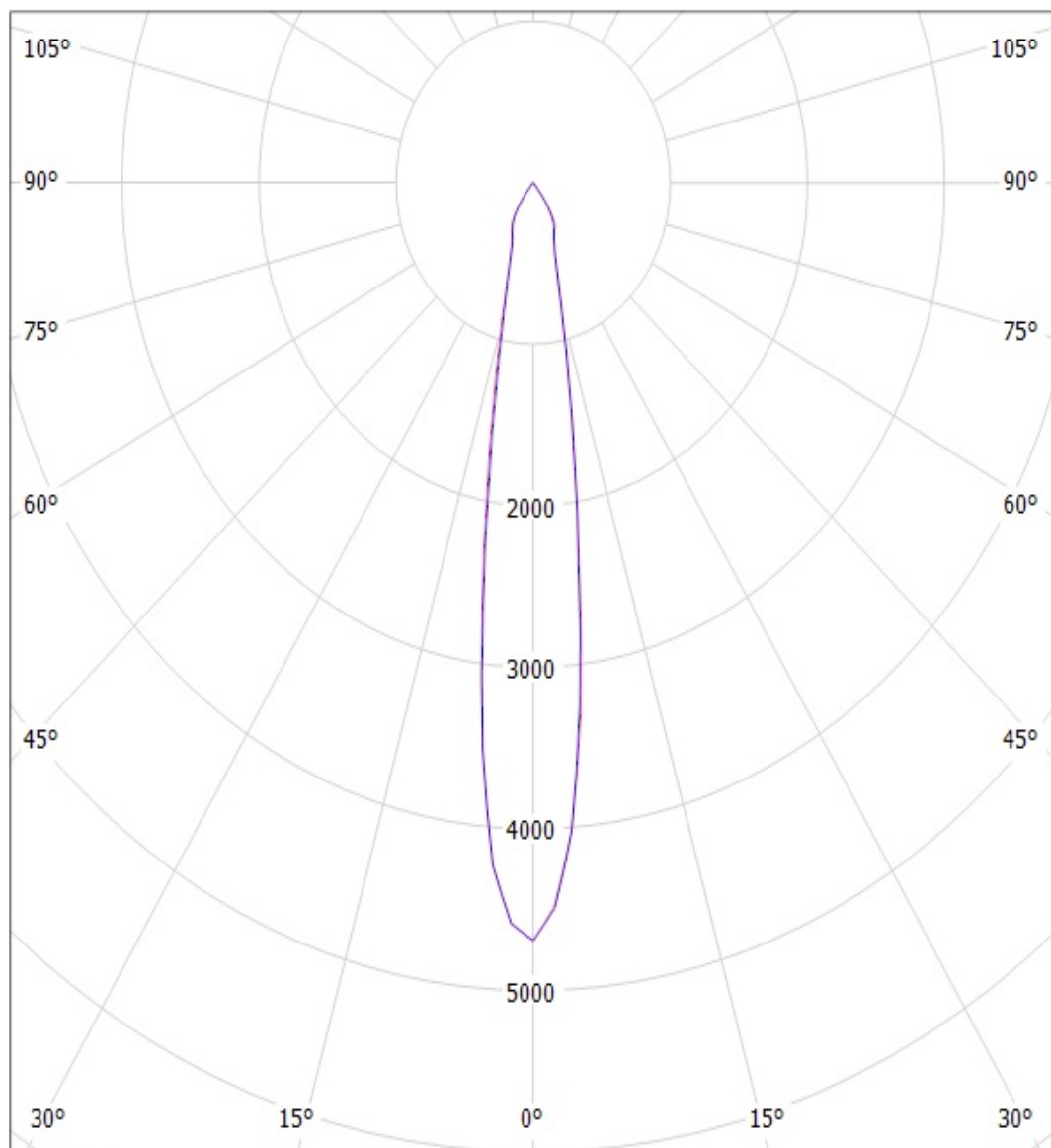
cd/klm

— C0 - C180

— C90 - C270

$\eta = 84\%$

Luminaire: LEDil Oy CN13770\_MIRELLA-50-S-CL-PF\_(STARK\_SLE\_G3\_LES10) Efficiency=82%  
Lamps: 1 x Tridonic Stark SLE G3 LES10 (STARK-SLE-PURE-G3-10-1000-830-CLA) 453lm @ 250mA CCT=3000K P=4.3W I=250mA



cd/klm

— C0 - C180

— C90 - C270

**NOTE: The typical divergence will be changed by different color, chip size and chip position tolerance. The typical total divergence is the full angle measured where the luminous intensity is half of the peak value.**

#### **GENERAL INFORMATION**

- Product series especially designed & optimized for series of LEDs.
- Special care taken to make light distribution as uniform as possible.
- Reflector is made of aluminium coated PC (120 degrees of Celcius / 248 degrees of Fahrenheit) with protective lacquer (short term 100 degrees of Celcius / 212 degrees of Fahrenheit).

Note! Due to use of high power COB's with this product, special attention to proper thermal design is highly recommended. LEDiL has no liability for direct, indirect or consecutive damages arising from the LEDiL products being used outside of the recommended temperature range.