

FPGA and SoC Product Catalog



SECURITY



MTBF
RELIABILITY



LOW POWER



INTEGRATION

FPGAs

SoC FPGAs

Design Tools

Design Hardware

Intellectual Property



Providing industry-leading FPGAs and SoCs for applications where **security** is vital, **reliability** is non-negotiable and **power matters.**

Now, more than ever, power matters.

Whether you're designing at the board or system level, **Microsemi's SoC FPGAs and low power FPGAs are your best choice.** The unique, flash-based technology of Microsemi FPGAs, coupled with their history of reliability, sets them apart from traditional FPGAs.

Design for today's rapidly growing markets of consumer and portable medical devices, or tomorrow's environmentally friendly data centers, industrial controls and military and commercial aircraft. Only Microsemi can meet the power, size, cost and reliability targets that reduce time-to-market and enable long-term profitability.

Table of Contents

SmartFusion®2	<ul style="list-style-type: none"> • SoC FPGA with 166 MHz ARM® Cortex™-M3, 150 K logic elements • SERDEs, DDR, DSP processing, embedded NVM and SRAM 	4
IGLOO®2	<ul style="list-style-type: none"> • Best-in-class integration, low power, reliability and security 	5
SmartFusion	<ul style="list-style-type: none"> • SoC FPGA with 100 MHz ARM Cortex-M3, 500 K system gates, analog processing 	6
IGLOO/e	<ul style="list-style-type: none"> • Lowest power FPGA with up to 3 M system gates 	7
IGLOO nano	<ul style="list-style-type: none"> • Lowest power FPGA with smallest package footprint 	8
IGLOO PLUS	<ul style="list-style-type: none"> • Lowest power FPGA with high I/O-to-logic ratio 	9
ProASIC®3/E	<ul style="list-style-type: none"> • Low power, high performance FPGA with up to 3 M system gates 	10
ProASIC3 nano	<ul style="list-style-type: none"> • Low power, high performance FPGA with smallest package footprint 	11
ProASIC3L	<ul style="list-style-type: none"> • Low power, high performance FPGA with Flash*Freeze 	12
Fusion	<ul style="list-style-type: none"> • Mixed signal FPGA 	13
Military SmartFusion, Fusion and ProASIC3/EL	<ul style="list-style-type: none"> • Mixed signal integration down to -55°C • Reprogrammable digital logic, configurable analog, embedded flash memory • Unprecedented low power consumption across the full military temperature range • High-density fine-pitch ball grid packaging • High Performance And Easy In-System Programming 	14
Military ProASIC^{PLUS}®	<ul style="list-style-type: none"> • Industry's first military screened flash FPGA • Full processing to MIL-STD-883 Class B • Established heritage on commercial and military aircraft 	15
IGLOO and ProASIC Family I/O Selector	<ul style="list-style-type: none"> • I/O counts 	16
FPGA Packages	<ul style="list-style-type: none"> • Package dimensions 	18
Design Tools	<ul style="list-style-type: none"> • Design software for Microsemi FPGAs and SoC FPGAs 	20
Development Kits	<ul style="list-style-type: none"> • Starter, evaluation and development kits 	21
Programmiers	<ul style="list-style-type: none"> • FlashPro3 and Silicon Sculptor 3 programmers 	25
Intellectual Property Cores	<ul style="list-style-type: none"> • Microsemi Intellectual Property (IP) products designed and optimized for use with Microsemi FPGAs 	26

Please refer to www.microsemi.com/fpga-soc and appropriate product datasheets for the latest device information, valid ordering codes and more information regarding previous generations of flash FPGAs.

The next-generation System-on-Chip FPGA

Microsemi's next-generation SmartFusion2 System-on-Chip (SoC) FPGAs are the only devices that address fundamental requirements for advanced security, high reliability and low power in critical industrial, military, aviation, communications and medical applications. SmartFusion2 integrates an inherently reliable flash-based FPGA fabric, a 166 MHz ARM Cortex-M3 processor, advanced security processing accelerators, DSP blocks, SRAM, eNVM and industry-required high-performance communication interfaces all on a single chip.

SmartFusion2 Devices

SmartFusion2 Devices		M2S005	M2S010	M2S025	M2S050	M2S090	M2S100	M2S150	
Logic/DSP	Maximum Logic Elements (4LUT + DFF) ¹	6,060	12,084	27,696	56,340	86,316	99,512	146,124	
	Math Blocks (18x18)	11	22	34	72	84	160	240	
	Fabric Interface Controllers (FICs)	1			2				
	PLLs and CCCs	2			6			8	
	Security	AES256, SHA256, RNG					AES256, SHA256, RNG, ECC, PUF		
Microcontroller Subsystem (MSS)	Cortex-M3 + Instruction Cache	Yes							
	eNVM (K Bytes)	128	256			512			
	eSRAM (K Bytes)	64							
	eSRAM (K Bytes) Non SECDED	80							
	CAN, 10/100/1000 Ethernet, HS USB	1 each							
	Multi-Mode UART, SPI, I ² C, Timer	2 each							
Fabric Memory	LSRAM 18 K Blocks	10	21	31	69	109	160	236	
	uSRAM 1 K Blocks	11	22	34	72	112	160	240	
	Total RAM (K bits)	191	400	592	1314	2074	3040	4488	
High Speed	DDR Controllers (count x width)	1x18			2x36	1x18	2x36		
	SERDES Lanes (T)	0	4		8	4	8	16	
	PCIe End Points	0	1		2			4	
User I/O	MSIO (3.3 V)	115	123	157	139	309	292	292	
	MSIOD (2.5 V)	28	40	40	62	40	106	106	
	DDRIO (2.5 V)	66	70	70	176	76	176	176	
	Total User I/O	209	233	267	377	425	574	574	

Notes:

- Total logic may vary based on utilization of DSP and memories in your design. Please see the SmartFusion2 Fabric UG for details.
- Feature availability is package dependent.

I/Os Per Package

Type	FCS325		VF256		VF400		FCV484		VQ144		FG484		FG676		FG896		FC1152	
Pitch (mm)	0.5		0.8		0.8		0.8		0.5		1.0		1.0		1.0		1.0	
Length x Width (mm)	11x11		14x14		17x17		19x19		20x20		23x23		27x27		31x31		35x35	
Device	I/O	Lanes	I/O	Lanes	I/O	Lanes	I/O	Lanes	I/O	Lanes	I/O	Lanes	I/O	Lanes	I/O	Lanes	I/O	Lanes
M2S005 (S)	—	—	—	—	171	—	—	—	83 ¹	—	209	—	—	—	—	—	—	—
M2S010 (S/T/TS)	—	—	148 ¹	2 ¹	195	4	—	—	75 ¹	—	233	4	—	—	—	—	—	—
M2S025 (S/T/TS)	180	2	148 ¹	2 ¹	207	4	—	—	—	—	267	4	—	—	—	—	—	—
M2S050 (S/T/TS)	200	2	—	—	207	4	—	—	—	—	267	4	—	—	377	8	—	—
M2S090 (S/T/TS) ²	200 ¹	4 ¹	—	—	—	—	—	—	—	—	267	4	425	4	—	—	—	—
M2S100 (S/T/TS)	—	—	—	—	—	—	273 ¹	4 ¹	—	—	—	—	—	—	—	—	574	8
M2S150 (S/T/TS)	—	—	—	—	—	—	273 ¹	4 ¹	—	—	—	—	—	—	—	—	574	16

Notes:

- Preliminary.
- 090 FCS325 is 11x13.5 package dimension.

The FPGA with high level of integration at the lowest total system cost

The IGLOO2 FPGA family provides a 4-input look-up table (LUT) based fabric, 5G transceivers, high-speed general purpose I/O (GPIO), block RAM and digital signal processing (DSP) blocks in a differentiated, cost- and power-optimized architecture. This next-generation IGLOO2 FPGA architecture offers up to 5x more logic density and 3x more fabric performance than its predecessors and combines a non-volatile flash-based fabric with the highest number of GPIO, 5G serialization/deserialization (SERDES) interfaces and PCI Express® (PCIe®) endpoints when compared to other products in its class.

- Highest number of 5G transceivers¹
- Highest number of GPIO¹
- Highest number of PCI compliant 3.3 V I/O¹
- Only FPGA with hardened memory subsystem
- Only non-volatile and instant-on mainstream FPGA
- 10x lower static power with the same performance
- 1 mW in Flash*Freeze mode
- Only FPGA with SEU immune fabric and mainstream features
- Extended temperature support (up to 125°C Tj)
- Built-in state-of-the-art design security for all devices
- Root-of-trust
- Easy-to-use

IGLOO2 Devices

	Features	M2GL005	M2GL010	M2GL025	M2GL050	M2GL090	M2GL100	M2GL150	
Logic/DSP	Maximum Logic Elements (4LUT + DFF) ¹	6,060	12,084	27,696	56,340	86,316	99,512	146,124	
	Math Blocks (18x18)	11	22	34	72	84	160	240	
	PLLs and CCCs	2		6			8		
	SPI/HPDMA/PDMA	1 each							
	Fabric Interface Controllers (FICs)	1			2				
	Security	AES256, SHA256, RNG					AES256, SHA256, RNG, ECC, PUF		
Memory	eNVM (K Bytes)	128	256			512			
	LSRAM 18 K Blocks	10	21	31	69	109	160	236	
	uSRAM 1 K Blocks	11	22	34	72	112	160	240	
	eSRAM (K Bytes)	64							
	Total RAM (K bits)	703	912	1104	1826	2586	3552	5000	
High Speed	DDR Controllers	1x18			2x36	1x18	2x36		
	SERDES Lanes (T)	0	4		8	4	8	16	
	PCIe End Points	0	1		2			4	
User I/Os	MSIO (3.3 V)	115	123	157	139	309	292	292	
	MSIOD (2.5 V)	28	40	40	62	40	106	106	
	DDRIO (2.5 V)	66	70	70	176	76	176	176	
	Total User I/O	209	233	267	377	425	574	574	

Note:
 1. Total logic may vary based on utilization of DSP and memories in your design. Please see the IGLOO2 Fabric UG for details.
 2. Feature availability is package dependent.

I/Os per Package

Type	FCS325		VF256		VF400		FCV484		VQ144		FG484		FG676		FG896		FC1152	
Pitch (mm)	0.5		0.8		0.8		0.8		0.5		1.0		1.0		1.0		1.0	
Length x Width (mm)	11x11		14x14		17x17		19x19		20x20		23x23		27x27		31x31		35x35	
Device	I/O	Lanes	I/O	Lanes	I/O	Lanes	I/O	Lanes	I/O	Lanes	I/O	Lanes	I/O	Lanes	I/O	Lanes	I/O	Lanes
M2GL005 (S)	—	—	—	—	171	—	—	—	83 ¹	—	209	—	—	—	—	—	—	—
M2GL010 (S/T/TS)	—	—	148 ¹	2 ¹	195	4	—	—	75 ¹	—	233	4	—	—	—	—	—	—
M2GL025 (S/T/TS)	180	2	148 ¹	2 ¹	207	4	—	—	—	—	267	4	—	—	—	—	—	—
M2GL050 (S/T/TS)	200	2	—	—	207	4	—	—	—	—	267	4	—	—	377	8	—	—
M2GL090 (S/T/TS) ²	200 ¹	4 ¹	—	—	—	—	—	—	—	—	267	4	425	4	—	—	—	—
M2GL100 (S/T/TS)	—	—	—	—	—	—	273 ¹	4 ¹	—	—	—	—	—	—	—	—	574	8
M2GL150 (S/T/TS)	—	—	—	—	—	—	273 ¹	4 ¹	—	—	—	—	—	—	—	—	574	16

Note:
 1. Preliminary.
 2. 090 FCS325 is 11x13.5 package dimension.

The customizable SoC device

SmartFusion SoCs are the only devices that integrate FPGA fabric, an ARM Cortex-M3 processor and programmable analog, offering full customization, IP protection and ease-of-use. Based on Microsemi's proprietary flash process, SmartFusion SoCs are ideal for hardware and embedded designers who need a true system-on-chip that gives more flexibility than traditional fixed-function microcontrollers without the excessive cost of soft processor cores on traditional FPGAs.

- Available in commercial, industrial and military grades
- Hard 100 MHz 32-bit ARM Cortex-M3 CPU
- Multi-layer AHB communications matrix with up to 16 Gbps throughput
- 10/100 Ethernet MAC
- Two peripherals of each type: SPI, I²C, UART and 32-bit timers
- Up to 512 KB flash and 64 KB SRAM
- External memory controller (EMC)
- 8-channel DMA controller
- Integrated analog-to-digital converters (ADCs) and digital-to-analog converters (DACs) with 1 percent accuracy
- On-chip voltage, current and temperature monitors
- Up to ten 15 ns high-speed comparators
- Analog compute engine (ACE) offloads CPU from analog processing
- Up to 35 analog I/Os and 169 digital GPIOs

SmartFusion Devices

SmartFusion Devices		A2F060	A2F200	A2F500
FPGA Fabric	System Gates	60,000	200,000	500,000
	Tiles (D-flip-flops)	1,536	4,608	11,520
	RAM Blocks (4,608 bits)	8	8	24
Microcontroller Subsystem (MSS)	Flash (Kbytes)	128	256	512
	SRAM (Kbytes)	16	64	64
	Cortex-M3 with Memory Protection Unit (MPU)	Yes	Yes	Yes
	10/100 Ethernet MAC	No	Yes	Yes
	External Memory Controller (EMC)	26-bit address, 16-bit data ¹	26-bit address, 16-bit data	26-bit address, 16-bit data ¹
	DMA	8 Ch	8 Ch	8 Ch
	I ² C	2	2	2
	SPI	1	1	1
	16550 UART	2	2	2
	32-Bit Timer	2	2	2
	PLL	1	1	2 ²
	32 KHz Low Power Oscillator	1	1	1
	100 MHz On-Chip RC Oscillator	1	1	1
	Main Oscillator (32 KHz to 20 MHz)	1	1	1
Programmable Analog	ADCs (8-/10-/12-bit SAR)	1	2	3 ⁴
	DACs (12-bit sigma-delta)	1	2	3 ⁴
	Signal Conditioning Blocks (SCBs)	1	4	5 ⁴
	Comparators ³	2	8	10 ⁴
	Current Monitors ³	1	4	5 ⁴
	Temperature Monitors ³	1	4	5 ⁴
	Bipolar High Voltage Monitors ³	2	8	10 ⁴

- Notes:
1. Not available on A2F500 for the PQ208 package.
 2. Two PLLs are available in CS288 and FG484 (one PLL in FG256 and PQ208).
 3. These functions share I/O pins and may not all be available at the same time. See the "Analog Front-End Overview" section in the SmartFusion Programmable Analog User's Guide for details.
 4. Available on FG484 only. PQ208, FG256 and CS288 packages offer the same programmable analog capabilities as A2F200.

Package I/Os: MSS + FPGA I/Os

Device	A2F060 ¹			A2F200 ²				A2F500 ²			
	TQ144	CS288	FG256	PQ208	CS288	FG256	FG484	PQ208	CS288	FG256	FG484
Direct Analog Inputs	11	11	11	8	8	8	8	8	8	8	12
Shared Analog Inputs ¹	4	4	4	16	16	16	16	16	16	16	20
Total Analog Input	15	15	15	24	24	24	24	24	24	24	32
Total Analog Output	1	1	1	1	2	2	2	1	2	2	3
MSS I/Os ²	21 ²	28 ²	26 ²	22	31	25	41	22	31	25	41
FPGA I/Os	33	68	66	66	78	66	94	66 ³	78	66	128
Total I/Os	70	112	108	113	135	117	161	113	135	117	204

- Notes:
1. There are no LVTTTL capable direct inputs available on A2F060 devices.
 2. These pins are shared between direct analog inputs to the ADCs and voltage/current/temperature monitors.
 3. EMC is not available on the A2F500 PQ208 and A2F060 TQ144 package.

The ultra low power programmable solution

The IGLOO family of reprogrammable, full-featured flash FPGAs is designed to meet the demanding power, area and cost requirements of today's portable electronics. Based on nonvolatile flash technology, the 1.2 V to 1.5 V operating voltage family offers the industry's lowest power consumption—as low as 5 μ W. The IGLOO family supports up to 3,000,000 system gates with up to 504 Kbits of true dual-port SRAM, up to 6 embedded PLLs and up to 620 user I/Os. Low power applications that require 32-bit processing can use the ARM Cortex-M1 processor without license fee or royalties in M1 IGLOO devices. Developed specifically for implementation in FPGAs, Cortex-M1 devices offer an optimal balance between performance and size to minimize power consumption.

- Ultra low power FPGAs
- Flash*Freeze technology for lowest power consumption
- 1.2 V core and I/O voltage
- Instant-on
- AES-protected in-system programming (ISP)
- User nonvolatile FlashROM

IGLOO/e Devices

IGLOO Devices	AGL030	AGL060	AGL125	AGL250	AGL400	AGL600	AGL1000	AGLE600	AGLE3000
ARM-Enabled IGLOO Devices ²				M1AGL250		M1AGL600	M1AGL1000		M1AGLE3000
System Gates	30,000	60,000	125,000	250,000	400,000	600,000	1,000,000	600,000	3,000,000
Typical Equivalent Macrocells	256	512	1,024	2,048	—	—	—	—	—
VersaTiles (D-flip-flops)	768	1,536	3,072	6,144	9,216	13,824	24,576	13,824	75,264
Flash*Freeze Mode (typical, μ W)	5	10	16	24	32	36	53	49	137
RAM (1,024 bits)	—	18	36	36	54	108	144	108	504
RAM Blocks (4,608 bits)	—	4	8	8	12	24	32	24	112
FlashROM Kbits (1,024 bits)	1	1	1	1	1	1	1	1	1
AES-Protected ISP ¹	—	Yes	Yes	Yes	Yes	Yes	Yes	Yes	Yes
Integrated PLLs with CCC ²	—	1	1	1	1	1	1	6	6
VersaNet Globals ³	6	18	18	18	18	18	18	18	18
I/O Banks	2	2	2	4	4	4	4	8	8
Maximum User I/Os	81	96	133	143	194	235	300	270	620
Package Pins									
UC	UC81								
CS	CS81	CS121 ³		CS81	CS196	CS281	CS281		
QN	QN48	QN132	CS196	CS196 ⁴					
	QN68		QN132	QN132 ^{4,5}					
VQ	QN132								
FG	VQ100	VQ100	VQ100	VQ100	FG144	FG144	FG144	FG256	FG484
	FG144 ⁶	FG144	FG144	FG144	FG144	FG256	FG256	FG484	FG896

- Notes:
1. AES is not available for Cortex-M1 IGLOO devices.
 2. AGL060 in CS121 does not support the PLL.
 3. Six chip (main) and twelve quadrant global networks are available for AGL060 devices and above.
 4. The M1AGL250 device does not support this package.
 5. Device/package support TBD.

I/Os Per Package

IGLOO Devices	AGL030	AGL060	AGL125	AGL250	AGL400	AGL600	AGL1000	AGLE600	AGLE3000						
ARM-Enabled IGLOO Devices				M1AGL250		M1AGL600	M1AGL1000		M1AGLE3000						
I/O Package	Single-Ended I/O	Single-Ended I/O	Single-Ended I/O	Single-Ended I/O ²	Differential I/O Pairs	Single-Ended I/O ²	Differential I/O Pairs	Single-Ended I/O ²	Differential I/O Pairs	Single-Ended I/O ²	Differential I/O Pairs	Single-Ended I/O ²	Differential I/O Pairs	Single-Ended I/O ²	Differential I/O Pairs
QN48	34	—	—	—	—	—	—	—	—	—	—	—	—	—	—
QN68	49	—	—	—	—	—	—	—	—	—	—	—	—	—	—
UC81	66	—	—	—	—	—	—	—	—	—	—	—	—	—	—
CS81	66	—	—	60	7	—	—	—	—	—	—	—	—	—	—
CS121	—	96	96	—	—	—	—	—	—	—	—	—	—	—	—
VQ100	77	71	71	68	13	—	—	—	—	—	—	—	—	—	—
QN132	81	80	84	87 ^{1,4}	19 ^{1,4}	—	—	—	—	—	—	—	—	—	—
CS196	—	—	133	143 ¹	35 ¹	143	35	—	—	—	—	—	—	—	—
FG144	—	96 ⁷	97	97	24	97	25	97	25	97	25	—	—	—	—
FG256 ⁵	—	—	—	—	—	178	38	177	43	177	44	165	79	—	—
CS281	—	—	—	—	—	—	—	215	53	215	53	—	—	—	—
FG484 ⁵	—	—	—	—	—	194	38	235	60	300	74	270	135	341	168
FG896	—	—	—	—	—	—	—	—	—	—	—	—	—	620	310

- Notes:
1. The M1AGL250 device does not support QN132 or CS196 packages.
 2. Each used differential pair reduces the number of single-ended I/Os available by two.
 3. When the Flash*Freeze pin is used to directly enable Flash*Freeze mode and not used as a regular I/O, the number of single-ended user I/Os available is reduced by one.
 4. Device/package support TBD.
 5. FG256 and FG484 are footprint-compatible packages.

The industry's lowest power, smallest-size solution

IGLOO nano products offer ground breaking possibilities in power, size, lead-times, operating temperature and cost. Available in logic densities from 10,000 to 250,000 gates, the 1.2 V to 1.5 V IGLOO nano devices have been designed for high-volume applications where power and size are key decision criteria. IGLOO nano devices are perfect ASIC or ASSP replacements, yet retain the historical FPGA advantages of flexibility and quick time-to-market in low power and small footprint profiles.

- Ultra low power in Flash*Freeze mode, as low as 2 μ W
- Small footprint packages from 14x14 mm to 3x3 mm
- Enhanced commercial temperature
- 1.2 V to 1.5 V single voltage operation
- Enhanced I/O features
- Embedded SRAM and nonvolatile memory (NVM)
- ISP and security

IGLOO nano Devices

IGLOO nano Devices	AGLN010	AGLN020	AGLN060	AGLN125	AGLN250
System Gates	10,000	20,000	60,000	125,000	250,000
Typical Equivalent Macrocells	86	172	512	1,024	2,048
VersaTiles (D-flip-flops)	260	520	1,536	3,072	6,144
Flash*Freeze Mode (typical, μ W)	2	4	10	16	24
RAM Kbits ¹ (1,024 bits) ¹	—	—	18	36	36
4,608-Bit Blocks ¹	—	—	4	8	8
FlashROM Kbits (1,024 bits)	1	1	1	1	1
AES-Protected ISP ¹	—	—	Yes	Yes	Yes
Integrated PLL in CCCs ^{1,2}	—	—	1	1	1
VersaNet Globals	4	4	18	18	18
I/O Banks	2	3	2	2	4
Maximum User I/Os (packaged device)	34	52	71	71	68
Maximum User I/Os (known good die)	34	52	71	71	68
Package Pins					
UC	UC36	UC81			
CS		CS81	CS81	CS81	CS81
QN	QN48	QN68			
VQ			VQ100	VQ100	VQ100

Notes:

1. AGLN030 and smaller devices do not support this feature.
2. AGLN060, AGLN125 and AGLN250 in the CS81 package do not support PLLs.
3. For higher densities and support of additional features, refer to the IGLOO and IGLOOe datasheets and FPGA fabric user's guides.

I/Os Per Package

IGLOO nano Devices	AGLN010	AGLN020	AGLN060	AGLN125	AGLN250
Known Good Die	34	52	71	71	68
UC36	23	—	—	—	—
QN48	34	—	—	—	—
QN68	—	49	—	—	—
UC81	—	52	—	—	—
CS81	—	52	60	60	60
VQ100	—	—	71	71	68

Note:

1. When the Flash*Freeze pin is used to directly enable Flash*Freeze mode and not used as a regular I/O, the number of single-ended user I/Os available is reduced by one.
2. For nano devices, the VQ100 package is offered in both leaded and RoHS-compliant versions. All other packages are RoHS-compliant only.

IGLOO PLUS



The low power FPGA with enhanced I/O capabilities

IGLOO PLUS products deliver unrivaled low power and I/O features in a feature-rich programmable device, offering up to 64 percent more I/Os than the award-winning IGLOO products and supporting independent Schmitt trigger inputs, hot-swapping and Flash*Freeze bus hold. Ranging from 30,000 to 125,000 gates, the 1.2 V to 1.5 V IGLOO PLUS devices have been optimized to meet the needs of I/O-intensive, power-conscious applications that require exceptional features.

- I/O-optimized FPGA
- Ultra low power in Flash*Freeze mode, as low as 5 μ W
- Small footprint and low-cost packages
- Reprogrammable flash technology
- 1.2 V to 1.5 V single voltage operation
- Embedded SRAM NVM
- AES-protected ISP

IGLOO PLUS Devices

IGLOO PLUS Devices	AGLP030	AGLP060	AGLP125
System Gates	30,000	60,000	125,000
Typical Equivalent Macrocells	256	512	1,024
VersaTiles (D-flip-flops)	792	1,584	3,120
Flash*Freeze Mode (typical, μ W)	5	10	16
RAM (1,024 bits)	—	18	36
4,608-Bit Blocks	—	4	8
FlashROM Kbits (1,024 bits)	1	1	1
AES-Protected ISP	—	Yes	Yes
Integrated PLL in CCCs ¹	—	1	1
VersaNet Globals ²	6	18	18
I/O Banks	4	4	4
Maximum User I/Os (packaged device)	120	157	212
Package Pins CS VQ	CS201, CS289 VQ128	CS201, CS289 VQ176	CS281, CS289

Notes:
 1. AGLP060 in CS201 does not support the PLL.
 2. Six chip (main) and twelve quadrant global networks are available for AGLP060 and AGLP125.

I/Os Per Package

IGLOO PLUS Devices	AGLP030	AGLP060	AGLP125
I/O Package	Single-Ended I/O	Single-Ended I/O	Single-Ended I/O
CS201	120	157	—
CS281	—	—	212
CS289	120	157	212
VQ128	101	—	—
VQ176	—	137	—

Note:
 * When the Flash*Freeze pin is used to directly enable Flash*Freeze mode and not used as a regular I/O, the number of single-ended user I/Os available is reduced by one.

The low power, low-cost FPGA solution

The ProASIC3 series of flash FPGAs offers a breakthrough in power, price, performance, density and features for today's most demanding high-volume applications. ProASIC3 devices support the ARM Cortex-M1 processor, offering the benefits of programmability and time-to-market at low cost. ProASIC3 devices are based on nonvolatile flash technology and support 30,000 to 3,000,000 gates and up to 620 high-performance I/Os. For automotive applications, selected ProASIC3 devices are qualified to the AEC-Q100 and are available with AEC T1 screening and PPAP documentation.

- Low power
- Instant-on
- Advanced I/O standards
- Nonvolatile, reprogrammable
- Configuration memory error immune
- Secure ISP

ProASIC3/E Devices

ProASIC3/E Devices	A3P030	A3P060	A3P125	A3P250	A3P400	A3P600	A3P1000	A3PE600	A3PE1500	A3PE3000
ARM Cortex-M1 Devices				M1A3P250	M1A3P400	M1A3P600	M1A3P1000		M1A3PE1500	M1A3PE3000
System Gates	30,000	60,000	125,000	250,000	400,000	600,000	1,000,000	600,000	1,500,000	3,000,000
Typical Equivalent Macrocells	256	512	1,024	2,048	—	—	—	—	—	—
VersaTiles (D-flip-flops)	768	1,536	3,072	6,144	9,216	13,824	24,576	13,824	38,400	75,264
RAM (1,024 bits)	—	18	36	36	54	108	144	108	270	504
4,608-Bit Blocks	—	4	8	8	12	24	32	24	60	112
FlashROM Kbits (1,024 bits)	1	1	1	1	1	1	1	1	1	1
AES-Protected ISP¹	—	Yes	Yes	Yes	Yes	Yes	Yes	Yes	Yes	Yes
Integrated PLL in CCCs	—	1	1	1	1	1	1	6	6	6
VersaNet Globals⁴	6	18	18	18	18	18	18	18	18	18
I/O Banks	2	2	2	4	4	4	4	8	8	8
Maximum User I/Os	81	96	133	157	194	235	300	270	444	620
Package Pins										
QFN	QN48 QN68 QN132	QN132	QN132 ²	QN132 ^{2,3}						
CS		CS121								
VQ	VQ100	VQ100 ²	VQ100 ²	VQ100 ²						
TQ		TQ144	TQ144							
PQ			PQ208	PQ208	PQ208	PQ208	PQ208	PQ208 ⁵	PQ208 ⁵	PQ208 ⁵
FG		FG144 ²	FG144 ²	FG144 ² FG256 ^{2,3}	FG144 FG256 FG484	FG144 FG256 FG484	FG144 ² FG256 ² FG484 ²	FG256 FG484	FG484 FG676	FG324 FG484 FG896

- Notes:**
1. AES is not available for Cortex-M1 ProASIC3 devices.
 2. Available as automotive "T" grade.
 3. The M1A3P250 device does not support this package.
 4. Six chip (main) and three quadrant global networks are available for A3P060 and above.
 5. The PQ208 package supports six CCCs and two PLLs.

I/Os Per Package

ProASIC3 Devices	A3P030	A3P060	A3P125	A3P250		A3P400		A3P600		A3P1000		A3PE600		A3PE1500		A3PE3000	
ARM Cortex-M1 Devices				M1A3P250*		M1A3P400		M1A3P600		M1A3P1000				M1A3PE1500		M1A3PE3000	
I/O Type	Single-Ended I/O	Single-Ended I/O	Single-Ended I/O	Single-Ended I/O	Differential I/O Pairs	Single-Ended I/O	Differential I/O Pairs	Single-Ended I/O	Differential I/O Pairs	Single-Ended I/O	Differential I/O Pairs	Single-Ended I/O	Differential I/O Pairs	Single-Ended I/O	Differential I/O Pairs	Single-Ended I/O	Differential I/O Pairs
QN48	34	—	—	—	—	—	—	—	—	—	—	—	—	—	—	—	—
QN68	49	—	—	—	—	—	—	—	—	—	—	—	—	—	—	—	—
QN132	81	80	84	87	19	—	—	—	—	—	—	—	—	—	—	—	—
CS121	—	96	—	—	—	—	—	—	—	—	—	—	—	—	—	—	—
VQ100	77	71	71	68	13	—	—	—	—	—	—	—	—	—	—	—	—
TQ144	—	91	100	—	—	—	—	—	—	—	—	—	—	—	—	—	—
PQ208	—	—	133	151	34	151	34	154	35	154	35	147	65	147	65	147	65
FG144	—	96	97	97	24	97	25	97	25	97	25	—	—	—	—	—	—
FG256	—	—	—	157	38	178	38	177	43	177	44	165	79	—	—	—	—
FG324	—	—	—	—	—	—	—	—	—	—	—	—	—	—	—	221	110
FG484	—	—	—	—	—	194	38	235	60	300	74	270	135	280	139	341	168
FG676	—	—	—	—	—	—	—	—	—	—	—	—	—	444	222	—	—
FG896	—	—	—	—	—	—	—	—	—	—	—	—	—	—	—	620	310

- Note:**
1. M1A3P250 does not support the FG256 and QN132 packages.
 2. When using voltage-referenced I/O standards, one I/O pin should be assigned as a voltage-reference pin (VREF) per minibank (group of I/Os).
 3. "G" indicates RoHS-compliant packages. Refer to the "ProASIC3E Ordering Information" on page 3 for the location of the "G" in the part number.

The lowest-cost solution with enhanced I/O capabilities

Microsemi's innovative ProASIC3 nano devices bring a new level of value and flexibility to high-volume markets. When measured against the typical project metrics of performance, cost, flexibility and time-to-market, ProASIC3 nano devices provide an attractive alternative to ASICs and ASSPs in fast moving or highly competitive markets. Customer-driven total system cost reduction was a key design criteria for the ProASIC3 nano program. Reduced device cost, availability of known good die, a single-chip implementation and a broad selection of small footprint packages all contribute to lower total system costs.

- 1.5 V core for low power
- Configuration memory error immune
- Enhanced I/O features
- 350 MHz system performance
- Enhanced commercial temperature
- ISP and security

ProASIC3 nano Devices

ProASIC3 nano Devices	A3PN010	A3PN020	A3PN060	A3PN125	A3PN250
System Gates	10,000	20,000	60,000	125,000	250,000
Typical Equivalent Macrocells	86	172	512	1,024	2,048
VersaTiles (D-flip-flops)	260	520	1,536	3,072	6,144
RAM ¹ (1,024 bits)	—	—	18	36	36
4,608-Bit Blocks ¹	—	—	4	8	8
FlashROM Kbits (1,024 bits)	1	1	1	1	1
AES-Protected ISP ¹	—	—	Yes	Yes	Yes
Integrated PLL in CCCs ¹	—	—	1	1	1
VersaNet Globals	4	4	18	18	18
I/O Banks	2	3	2	2	4
Maximum User I/Os (packaged device)	34	49	71	71	68
Known Good Die User I/Os	34	52	71	71	68
Package Pin QN VQ	QN48	QN68	VQ100	VQ100	VQ100

Notes:

1. A3PN030 and smaller devices do not support this feature.
2. For higher densities and support of additional features, refer to the ProASIC3 and ProASIC3E datasheets and FPGA fabric user's guides.

I/Os Per Package

ProASIC3 nano Devices	A3PN010	A3PN020	A3PN060	A3PN125	A3PN250
Known Good Die	34	52	71	71	68
QN48	34	—	—	—	—
QN68	—	49	—	—	—
VQ100	—	—	71	71	68

Note:

"G" indicates RoHS-compliant packages. Refer to "ProASIC3 nano Ordering Information" on page 3 of the datasheet for the location of the "G" in the part number. For nano devices, the VQ100 package is offered in both leaded and RoHS-compliant versions. All other packages are RoHS-compliant only.

Balancing low power, performance and low cost

ProASIC3L FPGAs feature 40 percent lower dynamic power and 90 percent lower static power than the previous generation ProASIC3 FPGAs and orders of magnitude lower power than SRAM competitors, combining dramatically reduced power consumption with up to 350 MHz operation. The ProASIC3L family also supports the free implementation of an FPGA-optimized 32-bit ARM Cortex-M1 processor, enabling system designers to select Microsemi's flash FPGA solution that best meets their speed and power design requirements, regardless of application or volume. Optimized software tools using power-driven layout (PDL) provide instant power reduction capabilities.

- Low power 1.2 V to 1.5 V core operation
- 700 Mbps DDR, LVDS capable I/Os
- Up to 350 MHz system performance
- Configuration memory error immune
- ISP and security
- Flash*Freeze technology for low power

ProASIC3L Low Power Devices

ProASIC3L Devices	A3P250L	A3P600L	A3P1000L	A3PE3000L
ARM Cortex-M1 Devices ¹		M1A3P600L	M1A3P1000L	M1A3PE3000L
System Gates	250,000	600,000	1,000,000	3,000,000
VersaTiles (D-flip-flops)	6,144	13,824	24,576	75,264
RAM (1,024 bits)	36	108	144	504
4,608-Bit Blocks	8	24	32	112
FlashROM Kbits (1,024 bits)	1	1	1	1
AES-Protected ISP ²	Yes	Yes	Yes	Yes
Integrated PLL in CCCs ³	1	1	1	6
VersaNet Globals	18	18	18	18
I/O Banks	4	4	4	8
Maximum User I/Os (packaged device)	157	235	300	620
Package Pins				
VQ	VQ100			
PQ	PQ208	PQ208	PQ208	PQ208
FG	FG144, FG256	FG144, FG256, FG484	FG144, FG256, FG484	FG324, FG484, FG896

- Notes:
1. Refer to the Cortex-M1 product brief for more information.
 2. AES is not available for Cortex-M1 ProASIC3L devices.
 3. For the A3PE3000L, the PQ208 package has six CCCs and two PLLs.

I/Os Per Package¹

ProASIC3L Devices	A3P250L ²		A3P600L		A3P1000L		A3PE3000L	
ARM Cortex-M1 Devices			M1A3P600L		M1A3P1000L		M1A3PE3000L ³	
I/O Type	Single-Ended I/O ⁴	Differential I/O Pairs	Single-Ended I/O ⁴	Differential I/O Pairs	Single-Ended I/O ⁴	Differential I/O Pairs	Single-Ended I/O ⁴	Differential I/O Pairs
VQ100	68	13	—	—	—	—	—	—
PQ208	151	34	154	35	154	35	147	65
FG144	97	24	97	25	97	25	—	—
FG256	157	38	177	43	177	44	—	—
FG324	—	—	—	—	—	—	221	110
FG484	—	—	235	60	300	74	341	168
FG896	—	—	—	—	—	—	620	310

- Notes:
1. When considering migrating your design to a lower- or higher-density device, refer to the packaging section of the datasheet to ensure you are complying with design and board migration requirements.
 2. For A3P250L devices, the maximum number of LVPECL pairs in east and west banks cannot exceed 15.
 3. ARM Cortex-M1 support is TBD on this device.
 4. Each used differential I/O pair reduces the number of single-ended I/Os available by two.
 5. FG256 and FG484 are footprint-compatible packages.
 6. "G" indicates RoHS-compliant packages. Refer to "ProASIC3L Ordering Information" on page 3 of the datasheet for the location of the "G" in the part number.
 7. For A3PE3000L devices, the usage of certain I/O standards is limited as follows:
 - SSTL3(I) and (II): up to 40 I/Os per north or south bank
 - LVPECL / GTL+ 3.3 V / GTL 3.3 V: up to 48 I/Os per north or south bank
 - STTL2(I) and (II) / GTL+ 2.5 V / GTL 2.5 V: up to 72 I/Os per north or south bank
 8. When the Flash*Freeze pin is used to directly enable Flash*Freeze mode and not as a regular I/O, the number of single-ended user I/Os available is reduced by one.

The world's first mixed signal FPGA

Fusion FPGAs integrate configurable analog, large flash memory blocks, comprehensive clock generation and management circuitry and high-performance, flash-based programmable logic in a monolithic device. The Fusion architecture can be used with soft microcontroller cores, such as the performance-optimized ARM Cortex-M1, 8051s or Microsemi's own CoreABC, the smallest soft microcontroller for FPGAs.

- Integrated A/D converter (ADC) with 8-, 10- and 12-bit resolution and 30 scalable analog input channels
- ADC accuracy better than 1 percent
- On-chip voltage, current and temperature monitors
- In-system configurable analog supports a wide variety of applications
- Up to 1 MB of user flash memory
- Extensive clocking resources
- Analog PLLs
- 1 percent RC oscillator
- Crystal oscillator circuit
- Real-time counter (RTC)
- Instant-on
- Configuration memory error immune
- Advanced I/O standards
- User nonvolatile FlashROM

Fusion Devices

Fusion Devices		AFS090	AFS250	AFS600	AFS1500
ARM Cortex-M1 ¹ Devices			M1AFS250	M1AFS600	M1AFS1500
Pigeon Point Devices				P1AFS600 ²	P1AFS1500 ²
MicroBlade Devices			U1AFS250	U1AFS600 ³	U1AFS500
General Information	System Gates	90,000	250,000	600,000	1,500,000
	Tiles (D-flip-flops)	2,304	6,144	13,824	38,400
	AES-protected ISP	Yes	Yes	Yes	Yes
	PLLs	1	1	2	2
	Globals	18	18	18	18
Memory	Flash Memory Blocks (2 Mbits)	1	1	2	4
	Total Flash Memory Bits	2,000,000	2,000,000	4,000,000	8,000,000
	FlashROM Bits	1,024	1,024	1,024	1,024
	RAM Blocks (4,608 bits)	6	8	24	60
	RAM (Kbits)	27	36	108	270
Analog and I/Os	Analog Quads	5	6	10	10
	Analog Input Channels	15	18	30	30
	Gate Driver Outputs	5	6	10	10
	I/O Banks (+ JTAG)	4	4	5	5
	Maximum Digital I/Os	75	114	172	252
	Analog I/Os	20	24	40	40

Notes:

1. Refer to the Cortex-M1 product brief for more information.
2. Pigeon Point devices only offered in FG484 and FG256 packages.
3. MicroBlade devices only offered in FG256 package.

Package I/Os: Single-/Double-Ended (Analog)

Fusion Devices	AFS090	AFS250	AFS600	AFS1500
ARM Cortex-M1 Devices		M1AFS250	M1AFS600	M1AFS1500
Pigeon Point Devices			P1AFS600 ¹	P1AFS1500 ¹
MicroBlade Devices		U1AFS250 ²	U1AFS600 ²	U1AFS500 ²
QN108	37/9 (16)	—	—	—
QN180	60/16 (20)	65/15 (24)	—	—
PQ208 ³	—	93/26 (24)	95/46 (40)	—
FG256	75/22 (20)	114/37 (24)	119/58 (40)	119/58 (40)
FG484	—	—	172/86 (40)	223/109 (40)
FG676	—	—	—	252/126 (40)

Notes:

1. Pigeon Point devices only offered in FG484 and FG256 packages.
2. MicroBlade devices only offered in FG256 package.
3. Fusion devices in the same package are pin compatible with the exception of the PQ208 package (AFS250 and AFS600).

Military SmartFusion, Fusion and ProASIC3/EL



Low power FPGAs for military applications

Building on the successful heritage of the Military ProASIC^{PLUS} family, Military FPGAs offer higher performance, greater density and more memory, while at the same time offering high reliability combined with compact single-chip logic integration, Instant-on operation and reprogrammability. Fusion and SmartFusion Military FPGA's offer integrated configurable analog and can use built-in soft ARM Cortex-M1 or hard 50 MHz ARM Cortex M3.

- Supports single-voltage system operation
- Up to 3,000,000 system gates
- Secure ISP using on-chip 128-bit advanced encryption
- Single-event upset (SEU) immune
- Instant-on level 0 support
- Standard (AES) decryption via JTAG

Military SmartFusion, Fusion and ProASIC3 Devices

ProASIC3/EL Devices	A3P250	A3PE600L	A3P1000	A3PE3000L	AFS600	AFS1500	A2F060	A2F500
ARM Cortex-M1 Devices ¹			M1A3P1000	M1A3PE3000L	M1A2F500	M1AFS1500	Hard 32-Bit ARM Cortex-M3	Hard 32-Bit ARM Cortex-M3
System Gates	250,000	600,000	1,000,000	3,000,000	600,000	1,500,000	60,000	500,000
VersaTiles (D-flip-flops)	6,144	13,824	24,576	75,264	13,824	38,400	1,536	11,520
AES-Protected ISP ¹	Yes	Yes	Yes	Yes	Yes	Yes	Yes	Yes
RAM (1,024 bits)	36	108	144	504	108	270	16	64
RAM Blocks (4,608 bits)	8	24	32	112	24	60	8	24
Maximum User I/Os	68	270	300	620	212	263	108	204
Digital I/Os	68	270	154	620	172	223	92	169
Analog I/Os	—	—	—	—	40	40	16	35
PLL	1	6	1	6	2	2	1	2
ADCs (8-,10-,12-bit SAR)	—	—	—	—	1	1	1	3
Packages VQ PQ FG	VQ100	FG484	PQ208 FG144, FG256, FG484	PQ208 FG324, FG484, FG896	FG256, FG484	FG256, FG484	FG256	FG256, FG484

Notes:
1. Refer to ARM Cortex-M1 product brief for more information.
2. AES is not available for ARM-enabled devices.

Reprogrammable, nonvolatile military FPGAs

Military ProASIC^{PLUS} is the industry's first nonvolatile, reprogrammable FPGA with testing covering the full military temperature range (-55°C to 125°C), with available MIL-STD-883 Class B screening. The flash-based reprogrammable interconnect used in Microsemi's ProASIC^{PLUS} FPGAs has been proven to be immune to configuration changes caused by atmospheric neutrons.

Military ProASIC^{PLUS} Devices

Military ProASIC ^{PLUS} Devices	APA300	APA600	APA1000
Maximum System Gates	300,000	600,000	1,000,000
Tiles (registers)	8,192	21,504	56,320
RAM Kbits (1,024 bits)	72	126	198
RAM Blocks (256x9)	32	56	88
LVPECL	2	2	2
PLL	2	2	2
Global Networks	4	4	4
Maximum Clocks	32	56	88
Maximum User I/Os	290	454	712
JTAG ISP	Yes	Yes	Yes
PCI	Yes	Yes	Yes
Package Pins			
PQ			208
PB			456
PG	456	456	
FG	144, 256	256, 484, 676	896, 1152
CF	208, 352	208, 352	
CQ		208, 352	208, 352
CG		624	624

IGLOO and ProASIC Family I/O Selector¹

IGLOO/e			AGL030	AGL060	AGL125	AGL250		AGL400	AGL600	AGL1000	AGLE600		AGLE3000
IGLOO nano ²	AGLN010	AGLN020		AGLN060	AGLN125	AGLN250							
IGLOO PLUS			AGLP030	AGLP060	AGLP125								
ProASIC3/E			A3P030	A3P060	A3P125	A3P250		A3P400	A3P600	A3P1000	A3PE600	A3PE1500	A3PE3000
ProASIC3 nano ²	A3PN010	A3PN020		A3PN060	A3PN125	A3PN250							
ProASIC3L						A3P250L			A3P600L	A3P1000L			A3PE3000L
Military ProASIC3/EL						A3P250				A3P1000	A3PE600L		A3PE3000L
Military ProASICPLUS							APA300		APA600	APA1000			
Size (mm)	Name	Pitch (mm)											
3x3	UC36	0.40	23										
4x4	UC81	0.40		52	66								
5x5	CS81	0.50		52	66	60	60	60/7					
6x6	CS121	0.50				96	96						
6x6	QN48	0.40	34										
8x8	CS196	0.50				133	143/35			143/35			
8x8	QN68	0.40	49	49									
8x8	QN132	0.50		81	80	84	87/19						
8x8	CS201	0.50		120	157								
10x10	QN108	0.50											
10x10	QN180	0.50											
10x10	CS281	0.50			212				215/53	215/53			
11x11	CS288	0.50											
13x13	FG144	1.00		96	97	97/24	97/25	97/25	97/25	97/25			
14x14	CS289	0.80	120	157	212								
14x14	VQ100	0.50	77	71	71	68/13							
14x14	VQ128	0.40	101										
17x17	FG256	1.00				114/37 (24)	157/38	178/38	119/58 (40)	177/43	177/44	165/79	
19x19	FG324	1.00											221/110
20x20	TQ144	0.50		91	100								
20x20	VQ176	0.40		137									
23x23	FG484	1.00						194/38	172/86 (40)	235/60	300/74	270/135	223/109(40) 280/139 341/168
27x27	FG676	1.00										252/126(40) 444/222	
28x28	PQ208	0.50			133	93/26 (24)	151/34	151/34	95/46 (40)	154/35	154/35	147/65	147/65
31x31	FG896	1.00											620/310
32.5x32.5	CG624	1.27							440	440			
29.21x29.21	CQ208	0.50					158		158	158			
48x48	CQ352	0.50					248		248	248			

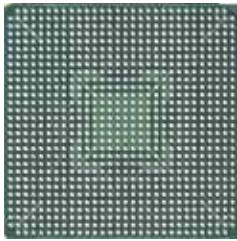
Notes:
 1. # / # structure shows single-ended/double-ended I/Os. Fusion and Ext. Temp. Fusion I/O counts are in italics. Value in parentheses for Fusion is analog I/Os. SmartFusion values are total analog, MSS and FPGA I/Os.
 2. IGLOO nano and ProASIC3 nano devices do not have differential I/Os.
 3. Please refer to the SoC Products Group's website at www.microsemi.com/soc and appropriate product datasheets for the latest device information and valid ordering codes.

Go to www.microsemi.com/fpga-soc for information regarding previous generations of flash and antifuse FPGAs.

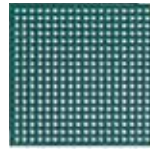
FPGA Packages

Key: f – family bs – package body size excluding leads ps – overall package dimensions including package leads h – package thickness p – pin pitch / ball pitch

FG896
f SmartFusion2
 IGLOO2
 IGLOOe¹
 ProASIC3E¹
 ProASIC3L¹
 Military
 ProASIC3/EL¹
ps 31x31 mm
h 2.23 mm
p 1.00 mm



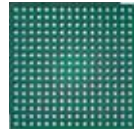
FG324
f ProASIC3E¹
 ProASIC3L¹
ps 19x19 mm
h 1.63 mm
p 1.00 mm



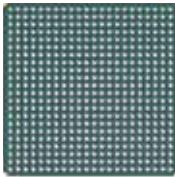
FG676
f IGLOO2
 ProASIC3E¹
 Fusion¹
ps 27x27 mm
h 2.23 mm
p 1.00 mm



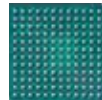
FG256
f SmartFusion
 Fusion^{1,3,4}
 IGLOO¹
 IGLOOe
 ProASIC3^{1,2}
 ProASIC3E²
 ProASIC3L¹
ps 17x17 mm
h 1.60 mm
p 1.00 mm



FG484
f SmartFusion2
 SmartFusion
 Fusion^{1,3}
 IGLOO2
 IGLOO¹
 IGLOOe¹
 ProASIC3^{1,2}
 ProASIC3E^{1,2}
 ProASIC3L¹
 Military
 ProASIC3/EL¹
ps 23x23 mm
h 2.23 mm
p 1.00 mm



FG144
f IGLOO¹
 ProASIC3¹
 ProASIC3L¹
 Military
 ProASIC3/EL¹
ps 13x13 mm
h 1.45 mm
p 1.00 mm



CS289
f IGLOO PLUS
ps 14x14 mm
h 1.20 mm
p 0.80 mm



CS121
f IGLOO
 ProASIC3
ps 6x6 mm
h 0.90 mm
p 0.50 mm



CS288
f SmartFusion
ps 11x11 mm
h 1.05 mm
p 0.50 mm



CS81
f IGLOO
 IGLOO nano
ps 5x5 mm
h 0.80 mm
p 0.50 mm



CS281
f IGLOO¹
 IGLOO PLUS
ps 10x10 mm
h 1.05 mm
p 0.50 mm



UC81
f IGLOO
 IGLOO nano
ps 4x4 mm
h 0.80 mm
p 0.40 mm



CS201
f IGLOO PLUS
ps 8x8 mm
h 0.89 mm
p 0.50 mm



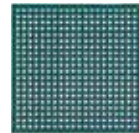
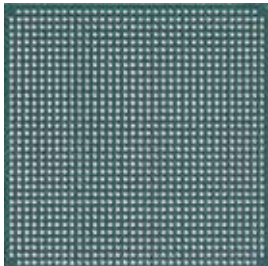
UC36
f IGLOO nano
ps 3x3 mm
h 0.80 mm
p 0.40 mm



CS196
f IGLOO
ps 8x8 mm
h 1.11 mm
p 0.50 mm



FC1152
f IGLOO2
ps 35x35 mm
h 2.62 mm
p 1.00 mm



VF400
f SmartFusion2
 IGLOO2
ps 17x17 mm
h 1.41 mm
p 0.80 mm

QN180
f Fusion
ps 10x10 mm
h 0.75 mm
p 0.50 mm



QN68
f IGLOO
 IGLOO nano
 ProASIC3
 ProASIC3 nano
ps 8x8 mm
h 0.90 mm
p 0.40 mm



QN132
f IGLOO
 ProASIC3
ps 8x8 mm
h 0.75 mm
p 0.50 mm



QN48
f IGLOO
 IGLOO nano
 ProASIC3
 ProASIC3 nano
ps 6x6 mm
h 0.90 mm
p 0.40 mm



QN108
f Fusion
ps 8x8 mm
h 0.75 mm
p 0.50 mm



Notes:

- 1 Includes Cortex-M1 devices.
- 2 FG256 and FG484 are footprint-compatible for ProASIC3 and ProASIC3E.
- 3 Pigeon Point devices are only offered in FG484 and FG256.
- 4 MicroBlade devices are only offered in FG256.

PQ208

- f** SmartFusion Fusion¹
ProASIC3¹
ProASIC3E¹
ProASIC3L¹
Military
ProASIC3/EL¹
- bs** 28x28 mm
- ps** 30.6x30.6 mm
- h** 3.40 mm
- p** 0.50 mm



TQ144

- f** ProASIC3
- bs** 20x20 mm
- ps** 22x22 mm
- h** 1.40 mm
- p** 0.50 mm



VQ176

- f** IGLOO PLUS
- bs** 20x20 mm
- ps** 22x22 mm
- h** 1.00 mm
- p** 0.40 mm



VQ128

- f** IGLOO PLUS
- bs** 14x14 mm
- ps** 16x16 mm
- h** 1.00 mm
- p** 0.40 mm



VQ100

- f** IGLOO¹
IGLOO nano
ProASIC3¹
ProASIC3 nano
ProASIC3L
Military
ProASIC3/EL¹
- bs** 14x14 mm
- ps** 16x16 mm
- h** 1.00 mm
- p** 0.50 mm



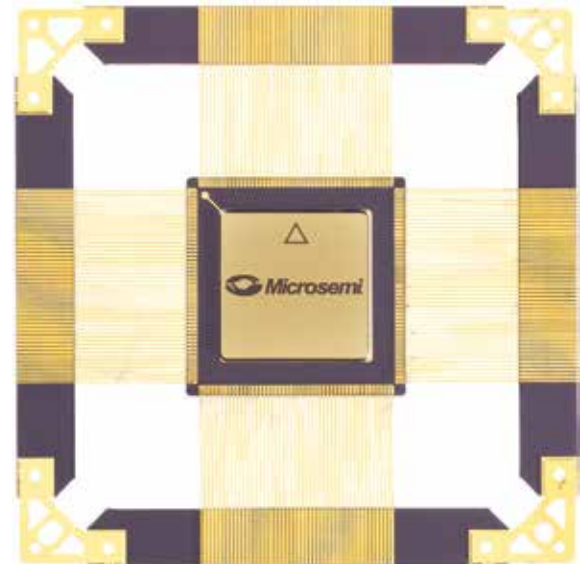
CQ352

- f** Military
ProASIC^{PLUS}
- ps** 48x48 mm
- h** 2.67 mm
- p** 0.50 mm



CQ208

- f** Military
ProASIC^{PLUS}
- ps** 29.21x29.21 mm
- h** 2.67 mm
- p** 0.50 mm



CG624

- f** Military
ProASIC^{PLUS}
- ps** 32.5x32.5 mm
- h** 4.94 mm
- p** 1.27 mm



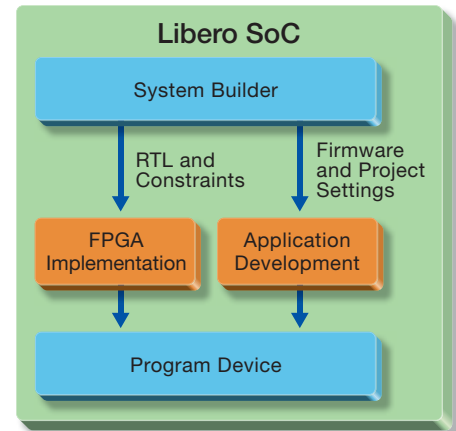
Design Software for Microsemi SoC FPGAs and FPGAs

Libero® System on Chip (SoC) and Libero Integrated Design Environment (IDE) Microsemi are comprehensive software toolsets for designing with Microsemi FPGAs. Different versions of Libero support different families (see Product Family support for details).

- Libero SoC supports Microsemi's IGLOO2, SmartFusion2, SmartFusion, IGLOO, ProASIC3 and Fusion families managing the entire design flow from design entry, synthesis and simulation, through place-and-route, timing and power analysis, with enhanced integration of the embedded design flow. Libero SoC also includes a new System Builder design approach for correct by construction SoC FPGA configuration.
- Libero IDE software supports designing with Microsemi Rad-Tolerant FPGAs, Antifuse FPGAs and Legacy & Discontinued Flash FPGAs and managing the entire design flow from design entry, synthesis and simulation, through place-and-route, timing and power analysis.

Libero SoC provides a new SoC design flow, specifically targeted to simplify the design of our newest flash FPGAs. Standalone tools such as Silicon Sculptor, FlashPro and Symphony Model Compiler AE are not changing and will continue to include support for all silicon devices.

Two types of Libero licenses are available. Libero Gold Free licenses covers the majority of mainstream FPGAs, while Libero Platinum supports the high end and advanced feature devices.



Licensing Requirements

Product Family	Device	License	
		Gold (FREE)	Platinum/Standalone
SmartFusion2/IGLOO2	M2S005, M2S010, M2S025, M2S050, M2GL005, M2GL010, M2GL025, M2GL050	✓	✓
	M2S090, M2S100, M2S150, M2GL090, M2GL100, M2GL150 All S (Security) devices require a Platinum License.		✓
SmartFusion, IGLOO, ProASIC3, Fusion and ProASIC ^{PLUS}	All Devices	✓	✓

Licensing Features

License Features	Libero Gold	Libero Platinum	Libero Standalone
	FREE	Purchased	Purchased
License Term	1 Year	1 Year	1 Year
Libero Design Software, including SmartDesign, IP Catalog and Place and Route	✓	✓	✓
SoftConsole*	✓	✓	✓
FlashPro Software*	✓	✓	✓
IP Cores Bundle	Gold IP	Platinum IP	Platinum IP
Synopsys Synplify Pro AE, ModelSim AE, Synopsys Identify AE*	✓	✓	Not Included

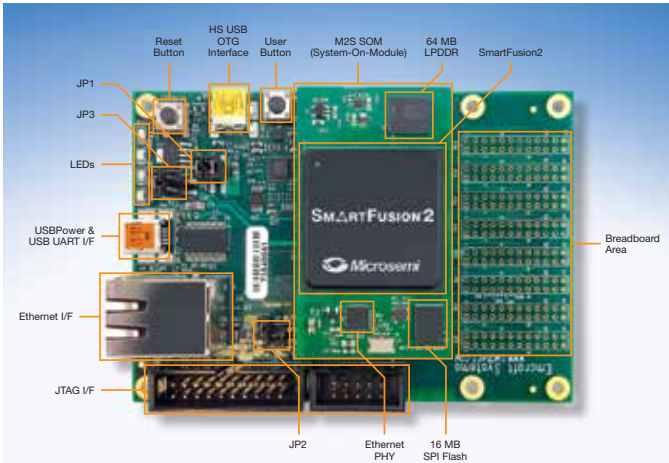
* The following software is not supported on the Linux platforms: Viewdraw, FlashPro, SoftConsole, Firmware Catalog and Identify.

Embedded Design Support

Features	Microsemi	Keil	IAR Systems
	SoftConsole	Keil MDK	Embedded Workbench®
Free Versions from Microsemi	Free with Libero SoC	32 K Code Limited	32 K Code Limited
Available from Vendor	N/A	Full Version	Full Version
Compiler	GNU GCC	RealView® C/C++	IAR ARM Compiler
Debugger	GDB Debug	µVision® Debugger	C-SPY® Debugger
Instruction Set Simulator	No	µVision Simulator	Yes
Debug Hardware	FlashPro4	ULINK2® or ULINK-ME™	J-Link™ or J-Link Lite

Go to www.microsemi.com/fpga-soc/design-resources/design-software/libero-soc for system requirements.

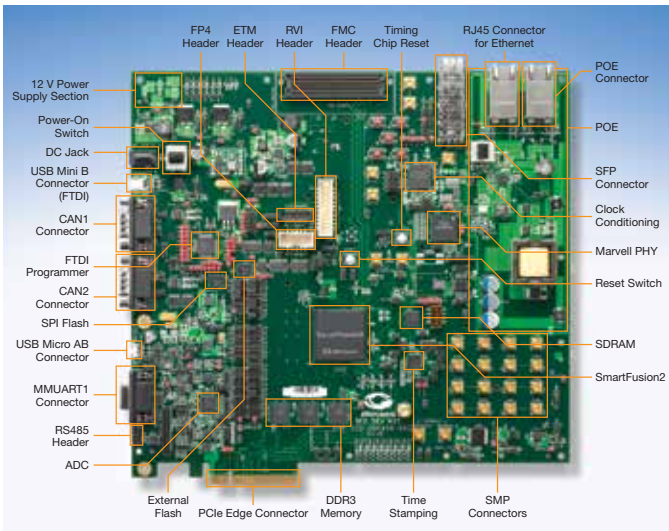
SmartFusion2 Starter Kit



- **Cost-efficient development platform for SmartFusion2 SoC FPGA**
 - **Supports industry-standard interfaces including Ethernet, USB, SPI, I²C and UART**
 - **Preloaded with uLinux image to support Linux-based development environments**
 - **Comes with FlashPro4 programmer, USB cables and USB WiFi module**
 - **Free Libero SoC software license included**
- **Board features**
 - 50K LE or 10K LE SmartFusion2 device
 - JTAG interface for programming and debug
 - 10/100 Ethernet
 - USB 2.0 On-The-Go
 - 64 MB LPDDR, 16 MB SPI Flash memory
 - 4 LEDs and 2 push-button switches
 - On-module clocks
 - Watchdog timer (WDT)

Ordering Code	Supported Device	Price
SF2-STARTER-KIT-ES-2	M2S050T-FGG896ES	\$ 299
SF2-484-STARTER-KIT	M2S010-FGG484	\$299

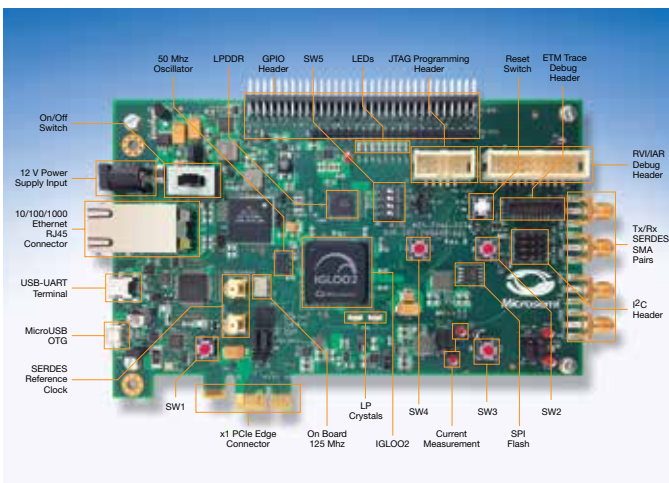
SmartFusion2 Development Kit



- **Full-featured SmartFusion2 development platform**
 - **Support for HS USB 2.0 OTG, CAN, RS232, RS484, IEEE 1588 time stamping and Sync E capable triple speed Ethernet PHYs**
 - **Access to SERDES high speed serial interfaces via PCI edge connector or high speed SMP connectors**
 - **Bundled with FlashPro4 programmer, USB cables and PCIE edge card ribbon cable**
 - **Free Libero SoC software license included**
- **Board features**
 - 50 K LE SmartFusion2 device
 - 16x 5 Gbps SERDES, PCIe, XAUI/XGXS+ Native SERDES
 - 16-bit, 1 MSPS, 8-channel Precision ADC
 - 512 MB DDR3, 16 MB SDRAM, 8 MB SPI Flash memory
 - JTAG Interface for programming and debug
 - Embedded Trace Macro connector
 - I²C, SPI, GPIO headers
 - FMC connector for daughter card expansion

Ordering Codes	Supported Devices	Price
SF2-DEV-KIT	M2S050T-1FGG896	\$ 1,800

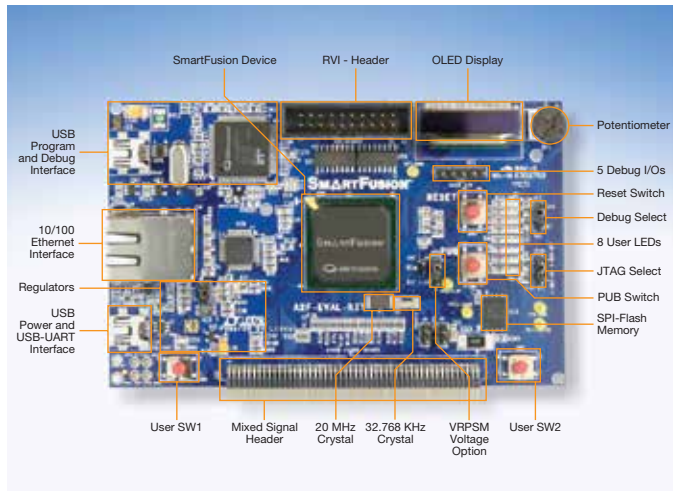
IGLOO2 Evaluation Kit



- **Gives designers access to IGLOO2 FPGAs which offer leadership in I/O density, security, reliability and low power into mainstream applications**
 - **Up to 150 K LE, 240 integrated DSP blocks, 16 channels of 5 Gbps SERDES and 4 Gen2 PCIe endpoints,**
 - **Supports industry-standard interfaces including Gigabit Ethernet, USB 2.0 OTG, SPI, I²C and UART**
 - **Free license for Microsemi's Libero SoC software and comes preloaded with a PCIe control plane demo**
- **Can be powered through a 12 V power supply or the PCIe connector and includes a FlashPro4 programmer**
 - **Board features**
 - IGLOO2 FPGA in the FG484 package (M2GL010T-FG484)
 - JTAG/SPI programming interface
 - Gigabit Ethernet PHY and RJ45 connector
 - USB 2.0 OTG interface connector
 - 1GB LPDDR, 64MB SPI Flash
 - Headers for I²C, UART, SPI, GPIOs
 - x1 Gen2 PCIe edge connector
 - Tx/Rx/Clk SMP pairs

Ordering Code	Supported Device	Price
M2GL-EVAL-KIT	M2GL010T-1FGG484	\$ 399

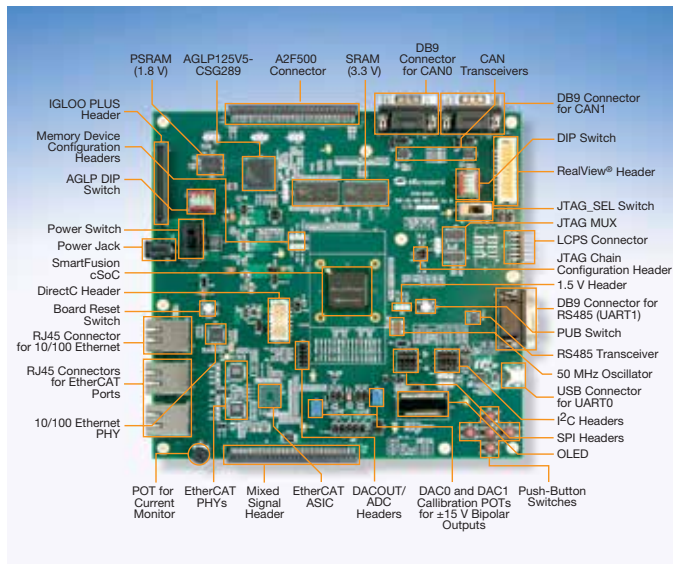
SmartFusion Evaluation Kit



- Supports SmartFusion SoC FPGA evaluation, including ARM Cortex-M3, FPGA and programmable analog
 - Free one-year Libero SoC software and Gold license with SoftConsole for program and debug
 - USB programming built into board
 - Two USB cables
 - User's guide, tutorial and design examples
 - Printed circuit board (PCB) schematics, layout files and bill-of-materials (BOM)
- **Board features**
 - Ethernet interface
 - USB port for power and HyperTerminal
 - USB port for programming and debug
 - J-Link header for debug
 - Mixed signal header
 - SPI flash – off-chip memory
 - Reset and 2 user switches, 8 LEDs
 - POT for voltage / current monitor
 - Temperature monitor
 - Organic light-emitting diode (OLED)

Ordering Code	Supported Device	Price
A2F-EVAL-KIT	A2F200M3F-FGG484	\$ 99

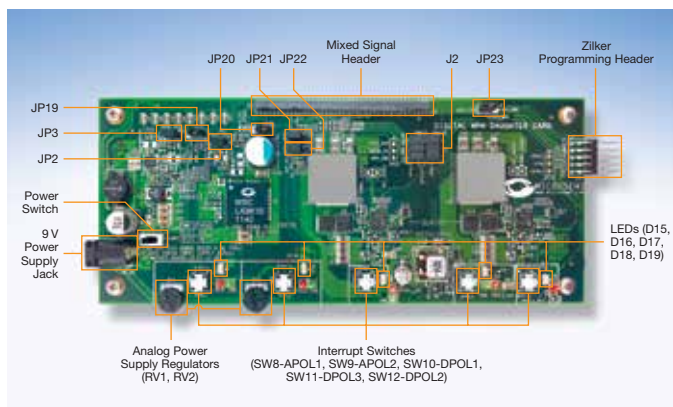
SmartFusion Development Kit



- Supports SmartFusion development, including ARM Cortex-M3, FPGA and programmable analog
 - Free one-year Libero SoC software and Gold license with SoftConsole for program and debug
 - 5 V power supply and international adapters
 - Two USB cables and low cost programming stick
 - User's guide, tutorial and design examples
 - PCB schematics, layout files and BOM
- **Board features**
 - Ethernet, EtherCAT, CAN, UART, I²C and SPI interfaces
 - USB port for HyperTerminal
 - USB port for programming and debug
 - J-Link header for debug
 - Mixed signal and A2F500 digital expansion header
 - Extensive off-chip memory
 - Refer to www.microsemi.com/soc for a full list of features

Ordering Codes	Supported Devices	Price
A2F500-DEV-KIT	A2F500M3G-FGG484	\$ 999

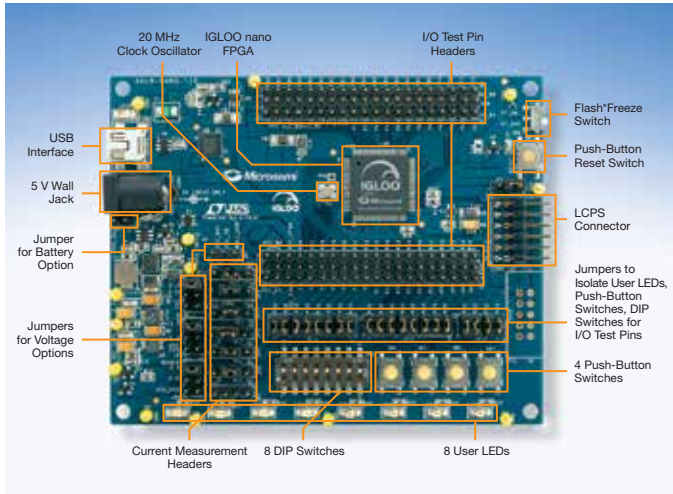
DMPM Daughter Card



- Supports power management design with the SmartFusion Evaluation Kit and SmartFusion Development Kit
 - MPM v5.0 design example implements configurable power management in SmartFusion SoC FPGA
 - Graphical configuration dialog
 - In-system reconfigurable
 - 9 V power supply
- **Board features**
 - 2 analog PoLs, 3 Digital PoLs
 - 2 potentiometers to control analog regulators
 - 5 power supply regulator interrupt switches
 - 5 power supply regulator status LEDs
 - Mixed signal header connector connects to SmartFusion board

Ordering Code	Supported Device	Price
DMPM-DC-KIT	No Microsemi device	\$ 349

IGLOO nano Starter Kit



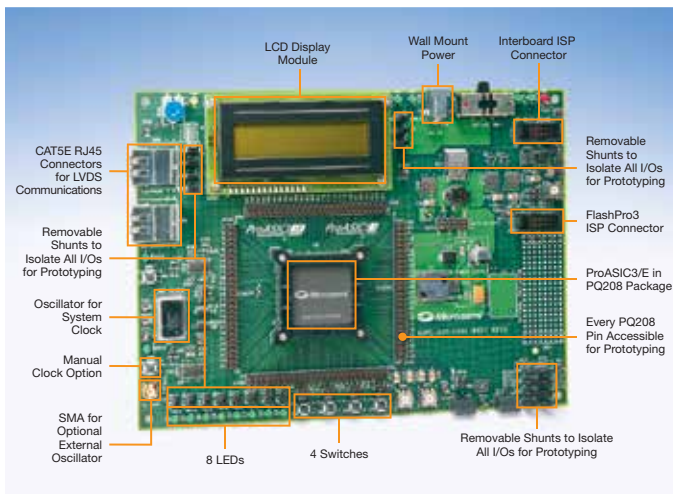
- Supports basic IGLOO nano low power FPGA design, including Flash*Freeze mode
- Free one-year Libero SoC software and Gold license
- Low-cost programming stick (LCPS)
- Two USB cables
- Kit user's guide, Libero SoC tutorial and design examples
- PCB schematics, layout files and BOM

- **Board features**
 - All I/Os available for external connections
 - Full current measurement capability of independent I/O banks and VCC
 - USB connection for USB-to-serial (RS232) interface for HyperTerminal or power
 - 20 MHz clock oscillator
 - LEDs and switches for simple inputs and outputs
 - Ability to switch VCORE from 1.2 V to 1.5 V
 - RoHS compliant

Ordering Code	Supported Device	Price
AGLN-NANO-KIT*	AGLN250V2-VQG100	\$ 99

Note:
* Replaces -Z version of the nano Starter Kit.

ProASIC3 Starter Kit

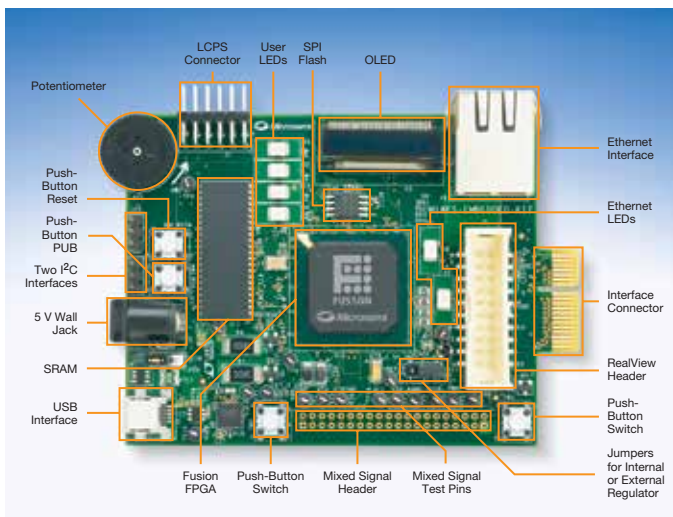


- Supports basic ProASIC3 FPGA design and LVDS I/O usage
- Free one-year Libero SoC software and Gold license
- FlashPro3 or FlashPro4 Programmer
- 9 V power supply and international adapters
- Kit user's guide, Libero SoC tutorial and design examples
- PCB schematics, layout files and BOM

- **Board features**
 - Eight I/O banks with variety of voltage options
 - Oscillator for system clock or manual clock option
 - LEDs and switches for simple inputs and outputs
 - LCD display module
 - Two CAT5E RJ45 connectors for high-speed LVDS communications
 - All I/Os available for external connections
 - Not RoHS compliant

Ordering Codes	Supported Devices	Price
A3PE-PROTO-KIT	A3PE1500-PQ208	\$ 665

Fusion Embedded Development Kit

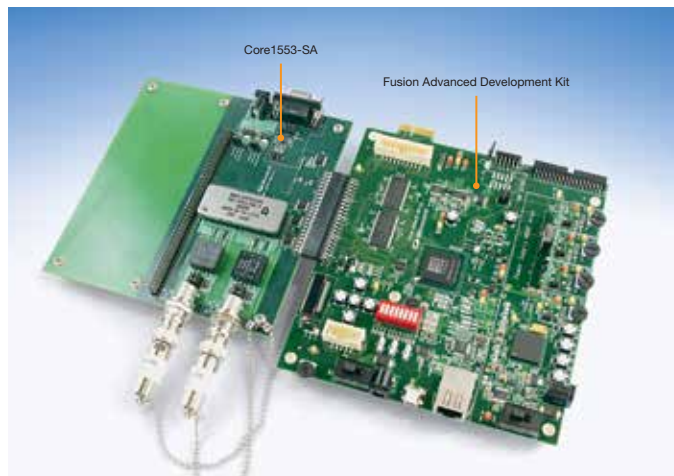


- Supports royalty-free, industry-standard ARM Cortex-M1 or 8051s development
- Free one-year Libero SoC software and Gold license with SoftConsole for program and debug
- Low-cost programming stick (LCPS)
- 5 V power supply and international adapters
- Two USB cables
- Kit user's guide, Libero SoC tutorial and design examples
- PCB schematics, layout files and BOM

- **Board features**
 - 512 KB SRAM, 2 MB SPI flash memory provided on board
 - 10/100 Ethernet and I²C interfaces
 - USB-to-UART connection for HyperTerminal on a PC
 - Built-in voltage, current and temperature monitor and voltage potentiometer
 - Mixed signal interface
 - Blue OLED 96x16 pixel display
 - Dynamic reconfigurable analog and flash memory
 - FlashPro3 and RealView debug interface
 - RoHS compliant

Ordering Code	Supported Device	Price
M1AFS-EMBEDDED-KIT	M1AFS1500-FGG484	\$ 250

Core1553 Development Kit



- Allows users to evaluate the functionality of Microsemi's Core1553BRM without having to create a complete MIL-STD-1553B compliant system
 - Fusion Advanced Development Kit with two 9 V power supplies
 - Core1553 daughter card
 - User's guide, tutorial and design example
 - PCB schematics, layout files and BOM
 - Purchasing the kit gives the owner the right to the programming file of the demo, but not an evaluation of the IP. The IP evaluation or purchase is quoted separately.
- **Board features**
 - MIL-STD-1553B transceiver, two transformers and two concentric twinax connectors included on the Core1553 daughter board
 - ~ MIL-STD-1553B concentric twinax connectors are center pin signal high and cylindrical contact signal low
 - ~ Connectivity is MIL-C-49142 compliant
 - ~ Evaluate and develop medium speed on-board data communications bus solutions for MIL-STD-1553B / UK DEF-STAN 00-18 (Pt.2) / NATO STANAG 3838 AVS / Avionic Standards Coordinating Committee Air-Std 50/2
 - CAN bus interface support
 - Connector to ARINC 429 Daughter Board (CORE429-SA)

Ordering Code	Description	Price
CORE1553-DEV-KIT	Core1553 Development Kit	\$ 3,620
CORE1553-SA	Core1553 daughter card	\$ 2,900
M1AFS-ADV-DEV-KIT-PWR	M1AFS-ADV-DEV-KIT with two 9 V power packs	\$ 750

Additional Summary

Microsemi offers hardware choices for SoC FPGA and FPGA products. The table below lists additional popular kits available. Full details of these kits can also be found online with user's guides and accompanying tutorials.

Family	Ordering Code	Name	Device	Price	Power
SmartFusion	MPM-DC-KIT	MPM Daughter Card	none	\$ 299	9 V
SmartFusion	MIXED-SIGNAL-DC	Mixed Signal Daughter Card	none	\$ 55	N/A
Fusion	AFS-EVAL-KIT	Fusion Starter Kit	AFS600-FG256	\$ 500	9 V
Fusion	M1AFS-ADV-DEV-KIT-PWR	Fusion Advanced Development Kit	M1AFS1500-FGG484	\$ 750	9 V
IGLOO	AGLN-NANO-KIT*	IGLOO nano Starter Kit	AGLN250V2-ZVQG100	\$ 99	USB
IGLOO	AGL-ICICLE-KIT	IGLOO Icicle Evaluation Kit	AGL125V2-QNG132	\$ 150	USB
IGLOO	AGLP-EVAL-KIT	IGLOO PLUS Starter Kit	AGLP125V2-CSG289	\$ 299	5 V
IGLOO	M1AGL1000-DEV-KIT	ARM Cortex-M1 IGLOO Development Kit	M1AGL1000V2-FGG484	\$ 550	5 V
ProASIC3	A3PE-PROTO-KIT*	ProASIC3 Starter Kit	A3PE1500-PQ208	\$ 665	9 V
ProASIC3	M1A3PL-DEV-KIT	ARM Cortex-M1 ProASIC3L Development Kit	M1A3P1000L-FGG484	\$ 550	5 V

*Most recommended Kit for each product family

FlashPro4 In-System FPGA Programmer



- Supports in-system programming
- Supports IEEE 1149 JTAG programming through STAPL
- Supports IEEE 1532
- Uses Microsemi FlashPro software, available as part of Libero SoC or Libero IDE. Also available standalone.
- Free software updates
- USB Connection to PC
- Operating systems
 - Windows XP Professional (SP2 recommended)
 - Windows 2000 Professional (SP4 recommended)

Ordering Code	Price
FLASHPRO4	\$ 49

Silicon Sculptor 3 FPGA Programmer



- Programs all Microsemi packages, including PL, PQ, VQ, QN, BG, FG and CS
- Universal Microsemi socket adapters
- Use with Silicon Sculptor software
- Security fuse can be programmed to secure the devices
- Includes self-test to test its own hardware
- Protection features
 - Overcurrent shutdown
 - Power failure shutdown
 - ESD protection
 - ESD wrist straps with banana jacks (included as standard)
- Operating systems
 - Windows XP Professional (SP2 recommended)
 - Windows 2000 Professional (SP4 recommended)

Ordering Code	Price
SILICON-SCULPTOR 3	\$ 4,330

For adapter modules, refer to www.microsemi.com/soc/products/hardware/program_debug/ss/modules.aspx

Programming Devices In-System Using a Microprocessor

Although the FlashPro3 programmer can perform in-system programming, it does require a specific header to be connected externally. For example, if your system already has external communication available through a microprocessor interface, you may prefer to have the processor perform the in-system programming. This can be done in two ways.

DirectC

DirectC v2.3 is a set of C code designed to support embedded microprocessor-based in-system programming for IGLOO, ProASIC3 and Fusion families. To use DirectC v2.3, you must make some minor modifications to the provided source code, add the necessary API and compile the source code and the API together to create a binary executable. The target system must contain a microprocessor with a minimum 256 bytes of RAM, a JTAG interface to the target device from the microprocessor and access to the programming data to be used for programming the FPGA. Access to programming data could be provided by a telecommunications link for most remote systems.

Download DirectC source files and the complete user's guide at: www.microsemi.com/soc/products/hardware/program_debug/directc/default.aspx.

STAPL Player

The STAPL Player can be used to program third-generation flash devices such as IGLOO, ProASIC3 and Fusion, and interprets the contents of a STAPL file, which is generated by Libero IDE software tools. The file contains information about the programming of Microsemi flash-based devices, as well as the

JTAG scan chain for a single device. The data format is a JEDEC standard known as the Standard Test and Programming Language (STAPL) format. For third-generation devices, note that the STAPL Player will not support serialization of the FlashROM, nor will it support Smart Erase enabled silicon. The STAPL Player reads the STAPL file and executes the file's programming instructions. Because all programming details are in the STAPL file, the STAPL Player itself is completely device-independent. In other words, the system does not need to implement any programming algorithm details; the STAPL file provides all of the details.

The key differences between the DirectC and the STAPL player methods are in the memory footprint in the microprocessor and amount of data to transmit. The DirectC option requires more code space on the processor, but as a result less data has to be transmitted to perform programming. On the other hand, the STAPL player communicates both the information to be programmed and the intelligence needed to perform programming. So, the code footprint is smaller but the amount of data to transmit will be larger. One advantage of the STAPL player method is that if updates are required to the programming algorithm, the STAPL method does not require new code in the processor, but the DirectC would require new code for the processor.

Microsemi IP Included in Libero IP Bundles

Microsemi Intellectual Property (IP) products are designed and optimized for use with Microsemi FPGAs. Microsemi IP is sourced, verified, supported and maintained by Microsemi. Microsemi IP comes complete as pre-implemented, synthesizable IP building blocks and has been thoroughly tested and verified in Microsemi FPGAs. Microsemi IP is delivered with full documentation and support to help simplify the designer's task of achieving fast time-to-market while minimizing design cost and risk.

A complete list of Microsemi IP cores with module details and documentation is available. The Libero Catalog and SmartDesign manage the configuration of Microsemi IP cores for embedded applications, while the Firmware Catalog manages firmware drivers.

Below is a list of free Microsemi IP cores for use in the Libero SmartDesign IP graphical design tool. Libero Gold and Platinum Licensing includes a bundle of Microsemi IP in RTL source format, as shown in the table below. These IP are available within both Libero IDE and Libero SoC where they are supported for the selected family. Go to www.microsemi.com/products/fpga-soc/design-resources/ip-cores/direct-cores for more information.

Product Number	Libero Gold IP Core Bundle: Included with Libero Gold License	Libero Platinum IP Core Bundle: Included with Libero Platinum License
Core10/100	RTL source	RTL source
Core10/100_AHBAPB	RTL source	RTL source
Core1588	RTL source	RTL source
Core16550	RTL source	RTL source
Core3DES	RTL source	RTL source
Core8051s	RTL source	RTL source
CoreABC ¹	RTL source	RTL source
CoreAES128	RTL source	RTL source
CoreAHB	RTL source	RTL source
CoreAHB2APB	RTL source	RTL source
CoreAHBLite	RTL source	RTL source
CoreAHBLSRAM	RTL source	RTL source
CoreAHBLtoAXI	RTL source	RTL source
CoreAhbNvm	RTL source	RTL source
CoreAhbSram	RTL source	RTL source
CoreAHBtoAPB3	RTL source	RTL source
CoreAI	RTL source	RTL source
CoreAPB	RTL source	RTL source
CoreApbNvm	RTL source	RTL source
CoreAPBLSRAM	RTL source	RTL source
CoreAPBSRAM	RTL source	RTL source
CoreAPB3	RTL source	RTL source
CoreAXI	RTL source	RTL source
CoreAXItoAHBL	RTL source	RTL source
CoreCFI	RTL source	RTL source
CoreConfigMaster	RTL source	RTL source
CoreConfigP	RTL source	RTL source
CoreCORDIC	RTL source generator	RTL source generator
CoreDDR	RTL source	RTL source
CoreDES	RTL source	RTL source
CoreEDAC	RTL source generator	RTL source generator
CoreFFT	RTL source generator	RTL source generator
CoreFIFO	RTL source generator	RTL source generator
CoreFIR ¹	RTL source generator	RTL source generator
CoreFMEE	RTL source	RTL source
CoreFROM	RTL source	RTL source
CoreGPIO	RTL source	RTL source
CoreHPDMACtrl	RTL source	RTL source

Notes:

1. Not Supported on Linux Platform.
2. Additional cores and configurations can be found on the website and in core handbooks.

Product Number	Libero Gold IP Core Bundle: Included with Libero Gold License	Libero Platinum IP Core Bundle: Included with Libero Platinum License
CoreI2C	RTL source	RTL source
CoreInterrupt	RTL source	RTL source
CoreJESD204BRX	RTL source	RTL source
CoreLPC	RTL source	RTL source
CoreMBX	RTL source	RTL source
CoreMemCtrl	RTL source	RTL source
CoreMMC	RTL source	RTL source
CoreMP7	Pre-placed design block	Pre-placed design block
CoreMP7Bridge	RTL source	RTL source
CorePCS	RTL source	RTL source
CorePWM	RTL source	RTL source
CoreQDR	RTL source generator	RTL source generator
CoreQEI	RTL source generator	RTL source generator
CoreRemap	RTL source	RTL source
CoreResetP	RTL source	RTL source
CoreRMII	RTL source	RTL source
CoreRSDEC ¹	RTL source generator	RTL source generator
CoreRSENC ¹	RTL source generator	RTL source generator
CoreSDLC	RTL source	RTL source
CoreSDR, CoreSDR_AHB	RTL source	RTL source
CoreSDR_AXI	RTL source	RTL source
CoreSF2Config	RTL source	RTL source
CoreSF2Reset	RTL source	RTL source
CoreSPI	RTL source	RTL source
CoreSysServices	RTL source	RTL source
CoreTimer	RTL source	RTL source
CoreTBtoEPCS	RTL source	RTL source
CoreUART	RTL source	RTL source
CoreUART_APB	RTL source	RTL source
CoreWatchdog	RTL source	RTL source
Cortex-M1 ¹	Pre-placed design block	Pre-placed design block
CoreJESD204BTX	Coming Soon	Coming Soon
CoreRGMII	Coming Soon	Coming Soon

Notes:

1. Not Supported on Linux Platform.
2. Additional cores and configurations can be found on the website and in core handbooks.

Microsemi IP Available for Purchase for Use with Libero

Some Microsemi IP must be purchased separately as shown below. Please contact your local Microsemi Sales representative for information on price and licensing of Microsemi IP that require a separate license.

Product Number	Obfuscated RTL Available for Purchase	RTL Source Available for Purchase
Core1553BRM	Obfuscated RTL	RTL source
Core1553BRT, Core1553BRT_APB	Obfuscated RTL	RTL source
Core429, Core429_APB	Obfuscated RTL	RTL source
CorePCIF, CorePCIF_AHB	Obfuscated RTL	RTL source

Notes:

1. Additional cores and configurations can be found on the website and in core handbooks.

Learn more about Microsemi's FPGAs and SoC FPGAs at www.microsemi.com/fpga-soc

Microsemi SoC Products Group 3870 North First Street, San Jose, CA 95134 Phone: (408) 643-6000



Microsemi

Microsemi Corporate Headquarters
One Enterprise, Aliso Viejo, CA 92656 USA
Within the USA: +1 (949) 380-6100
Sales: +1 (949) 380-6136
Fax: +1 (949) 215-4996
email: sales.support@microsemi.com
www.microsemi.com

Microsemi Corporation (Nasdaq: MSCC) offers a comprehensive portfolio of semiconductor and system solutions for communications, defense and security, aerospace and industrial markets. Products include high-performance and radiation-hardened analog mixed-signal integrated circuits, FPGAs, SoCs and ASICs; power management products; timing and synchronization devices and precise time solutions, setting the world's standard for time; voice processing devices; RF solutions; discrete components; security technologies and scalable anti-tamper products; Power-over-Ethernet ICs and midspans; as well as custom design capabilities and services. Microsemi is headquartered in Aliso Viejo, Calif., and has approximately 3,400 employees globally. Learn more at www.microsemi.com.

©2014 Microsemi Corporation. All rights reserved. Microsemi and the Microsemi logo are trademarks of Microsemi Corporation. All other trademarks and service marks are the property of their respective owners.

MS2-002-14 55700049-02/2.14