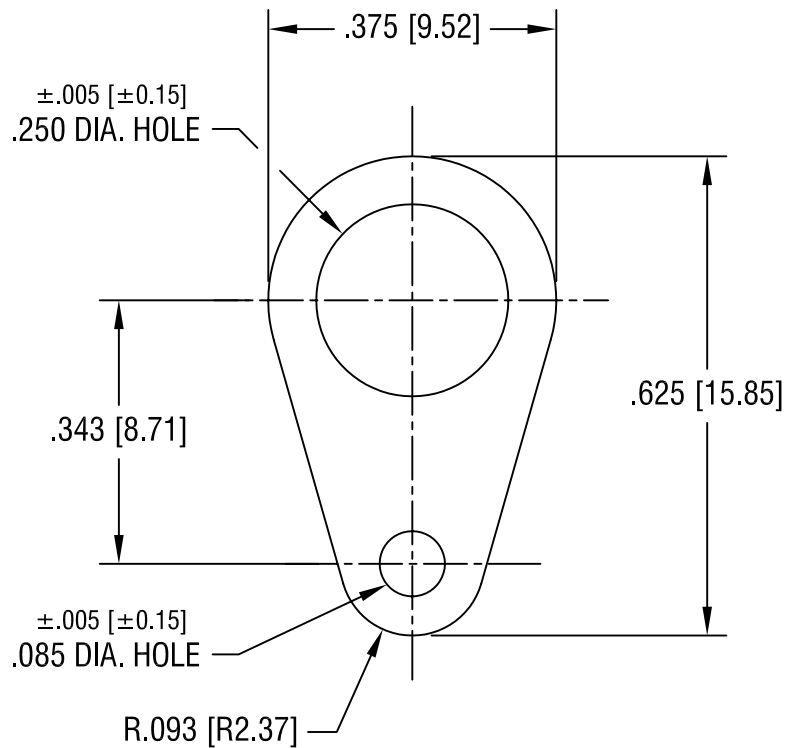


THIS DOCUMENT IS THE PROPERTY OF  
KEYSTONE ELECTRONICS CORP. AND  
SHALL NOT BE REPRODUCED, DISTRIBUTED  
OR USED AS A BASIS FOR MANUFACTURE  
WITHOUT PRIOR WRITTEN PERMISSION  
FROM KEYSTONE ELECTRONICS CORP.



**KEYSTONE ELECTRONICS CORP.**

ASTORIA, N.Y. 11105-2017

PART NAME

SOLDER TERMINAL LUG

MATERIAL

.016 [0.40] TH'K COPPER

FINISH

TIN PLATE

DRN BY

BOONE

DATE

3.15.84

APP'D

LN

SCALE

4X

1.3.94

REDRAWN, ADDED TOLERANCES

A

TOLERANCES

INCH [MM]

DECIMAL  $\pm .015 [\pm 0.38]$

ANGULAR  $\pm 1^\circ$

UNLESS OTHERWISE SPECIFIED

CODE

C/M

DWG NO.

4712

DATE

DESCRIPTION

REV.