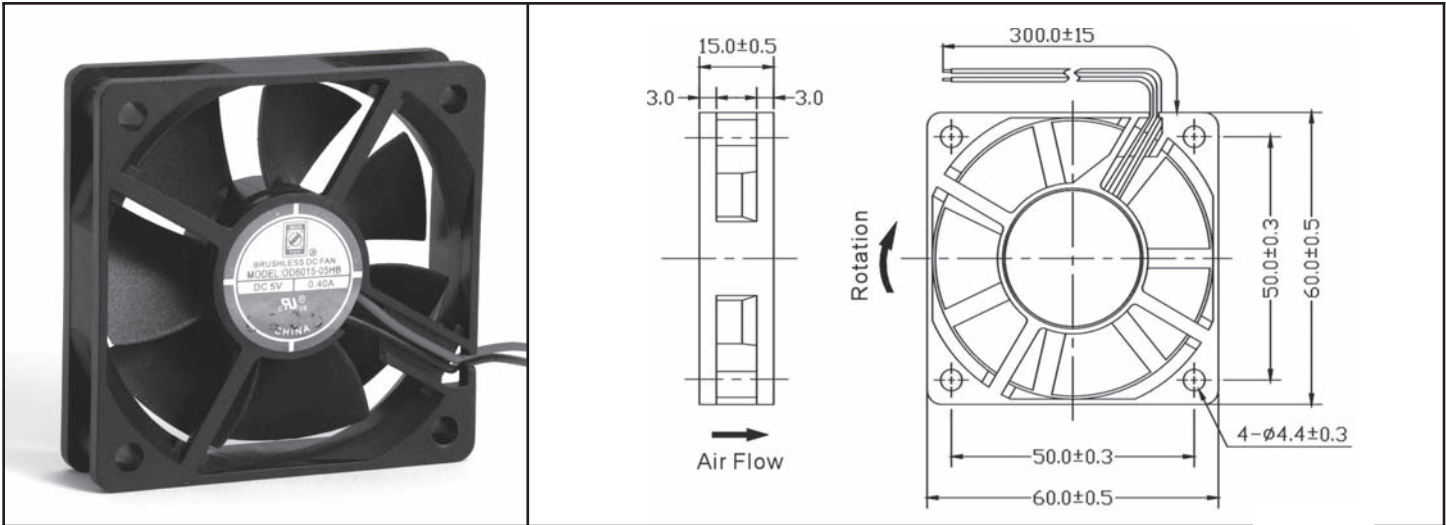


OD6015 Series



DC Fan - 12V
60x15mm (2.36"x 0.59")



Frame & Impeller	PBT, UL94V-O plastic	Available Options: Tachometer (FG) Alarm (RD) Other frame styles available 5V and 24V available on request <u>Life Expectancy (L10)</u> Ball Bearing 60,000 hours (L10 at 40C) Sleeve Bearing 30,000 hours (L10 at 40C) <u>Operating Temperature</u> Ball Bearing -20C ~ +80C Sleeve Bearing -10C ~ +50C	
Connection	2x Lead wires		
Motor	Brushless DC, auto restart, impedance and polarity protected		
Bearing System	Dual Ball or Sleeve		
Insulation Resistance	10M ohm between leadwire and frame (500VDC)		
Dielectric Strength	1 second at 500 VAC, max leakage - 500 MicroAmp		
Storage Temperature	-30C ~ +90C		

Model Number	Speed (RPM)	Airflow (CFM)	Noise (dB)	Volts DC	Voltage Range	Amps	Max. Static Pressure ("H2O)
OD6015-05H*	4500	19	37	5	3.5~5.75	.40	.13
OD6015-12H*	4500	19	37	12	8~17	.12	.13
OD6015-12M*	4000	16	21	12	8~17	.09	.08
OD6015-12L*	2500	14	18	12	8~17	.06	.05
OD6015-24H*	4500	19	37	24	12~28	.15	.13

* Indicate "B" to specify Ball bearing or "S" to specify Sleeve bearing

Mouser Electronics

Authorized Distributor

Click to View Pricing, Inventory, Delivery & Lifecycle Information:

Orion Fans:

[OD6015-05HS](#) [OD6015-05MB](#) [OD6015-05LB](#) [OD6015-24LB](#)