

Hardware User Manual

ISM-MT9M025 V2.x

...maximum performance at minimum space

Contact

Bluetechnix Mechatronische Systeme GmbH

Waidhausenstraße 3/19

A-1140 Vienna

AUSTRIA/EUROPE

office@bluetechnix.at

<http://www.bluetechnix.com>

Document No.: 100-3202-1-2.2

Date: 2012-02-20

Table of Contents

1	Introduction	6
1.1	Overview	6
1.2	Key Features	6
1.2.1	BLT-ISM-Connector	6
1.3	Applications.....	7
2	General Description	8
2.1	Functional Description	8
2.1.1	Powering	8
2.1.2	Signal Termination.....	9
2.2	Mechanical Outline.....	9
3	Specifications.....	10
3.1	Operating Conditions	10
3.2	Operatin Current Consumption.....	10
3.3	Maximum Ratings	10
3.3.1	ESD Sensitivity	11
4	Connector Description.....	12
4.1	BLT-ISM-Connector.....	12
4.2	ISM- HiSPi-Connector.....	13
5	Support	14
5.1	General Support.....	14
5.2	Board Support Packages	14
5.3	Blackfin® Software Support	14
5.3.1	BLACKSheep® OS	14
5.3.2	LabVIEW	14
5.3.3	uClinux.....	14
5.4	i.MX Software Support	14
5.4.1	Linux	14
5.5	Blackfin® and i.MX Design Services	14
5.5.1	Upcoming Products and Software Releases	14
6	Ordering Information	15
6.1	Image Sensor Module.....	15
6.2	Related Products.....	15
6.3	Lens Holders and Cables	15
7	Dependability	16
7.1	MTBF.....	16
8	Product History	17

8.1	Version Information.....	17
8.2	Anomalies.....	17
9	Document Revision History	18
10	List of Abbreviations	19
A	List of Figures and Tables.....	20

© Bluetechnix Mechatronische Systeme GmbH 2012

All Rights Reserved.

The information herein is given to describe certain components and shall not be considered as a guarantee of characteristics.

Terms of delivery and rights of technical change reserved.

We hereby disclaim any warranties, including but not limited to warranties of non-infringement, regarding circuits, descriptions and charts stated herein.

Bluetechnix makes and you receive no warranties or conditions, express, implied, statutory or in any communication with you. Bluetechnix specifically disclaims any implied warranty of merchantability or fitness for a particular purpose.

Bluetechnix takes no liability for any damages and errors causing of the usage of this board. The user of this board is responsible by himself for the functionality of his application. He is allowed to use the board only if he has the qualification. More information is found in the General Terms and Conditions (AGB).

Information

For further information on technology, delivery terms and conditions and prices please contact Bluetechnix (<http://www.bluetechnix.com>).

Warning

Due to technical requirements components may contain dangerous substances.

1 Introduction

The ISM-MT9M025 integrates Aptina's MT9M025 image SoC (System-on-a-Chip), oscillator, voltage control and a M12 or CS mount lens-holder to support numerous M12 or CS-mount lenses at a size of 30 x 40mm.

1.1 Overview

The MT9M025 CMOS digital image sensor from Aptina has an active-pixel-array of 1280H x 960V (1.2MP). This sensor can capture in either linear or high-dynamic-range (HDR) mode with rolling-shutter readout. The sensor can be programmed via an I²C-Interface and offers some sophisticated camera functions such as auto exposure control, windowing and both video and single frame modes. The sensor is able to capture in continuous mode for videos or single frame mode for clear sharp images for both low light and high dynamic range scenes.

The Sensor is available with three different color filter arrays: RGB Bayer, monochrome or RCCC.

1.2 Key Features

Description	Value
OPTICAL FORMAT	1/3-inch (5:4)
ACTIVE ARRAY	1280H x 960V (1.2 MP)
IMAGING AREA	4.6mm(H) x 3.7 mm(V)
PIXEL SIZE	3.75 x 3.75 μ m
RESPONSIVITY	5.48V/lux-sec (550nm)
SNR	Max 43.9 dB
MAX DYNAMIC RANGE	>115 dB
FRAME RATE	45fps at 50MHz (SXGA 1280 x 960) 60fps at 50MHz (720p)
Data Output Format	Serial on request: HiSPi 12-, 14- or 20-bit Parallel: 12-bit
Color Filter Array	RGB Bayer, monochrome, RCCC
SHUTTER TYPE	ERS - Electronic Rolling Shutter
MASTER CLOCK	50MHz
SINGLE SUPPLY VOLTAGE	2.5V to 3.1V
POWER CONSUMPTION	270mW @ 720p, 60 fps Parallel Output, Linear Mode 460mW @ 720p, 60 fps Parallel Output, HiDy Mode
OPERATING TEMPERATURE	-40°C to +105°C
RoHS COMPLIANT	Yes
BLT-ISM-CONNECTOR	Yes
LENS HOLDER	M12 or CS-mount objective lens holder
CS-MOUNT COMPATIBLE	Yes
M12-MOUNT COMPATIBLE	Yes
SIZE	30 x 40mm ²

Table 1-1: Key features

1.2.1 BLT-ISM-Connector

The Bluetechnix Image-Sensor-Connector "BLT-ISM-Connector" is a Bluetechnix standardized interface with 30 pins, which allows easy connection of the Bluetechnix Image-Sensor-Modules to the development and extender boards from Bluetechnix.

Advantages of the BLT-ISM-Connector:

- One interface for all Image-Sensor-Modules
- Flexible, camera is not fixed on the baseboard
- Single* or dual power supply

The BLT-ISM-Connector interface description can be read in chapter 4.

*Depends on user hardware design.

1.3 Applications

- Lane Departure Warning (LDW)
- Traffic Sign Recognition (TSR)
- Stereo Vision
- High Beam Control (HBC)
- Driver Monitoring
- Rear View
- Surround View
- Blind Spot Monitoring
- Machine Vision
- Video Surveillance
- Object Recognition

2 General Description

The ISM-MT9M025 image sensor module features Aptina’s MT9M025 image SoC. The on-board oscillator and power regulators for core and analog voltages make it easy to use the module for any embedded system hardware.

The module needs a single voltage supply between 2.5V and 3.1V. The sensor IC can be configured by an I²C compatible configuration bus, the pixel data is available on a 12-bit parallel interface, or the 12-, 14-, or 20-bit serial SLDS compliant HiSPi interface.

Some handshake lines are connected to the MT9M025 for power saving or capture triggering.

A 50MHz oscillator connected to the master clock of the image sensor, supplies the internal PLL. An external clock input is not needed.

For detailed information about the image sensor please refer to the MT9M025 data sheet and reference manual available on the Aptina website (<http://www.aplina.com>).

To not constrain the developer in the various applications, the module is shipped without lens holder and optics. Bluetechnix though offers a M12 as well as a CS-Mount lens holder and some fitting optics. But also many 3rd party suppliers deliver matching accessories.

2.1 Functional Description

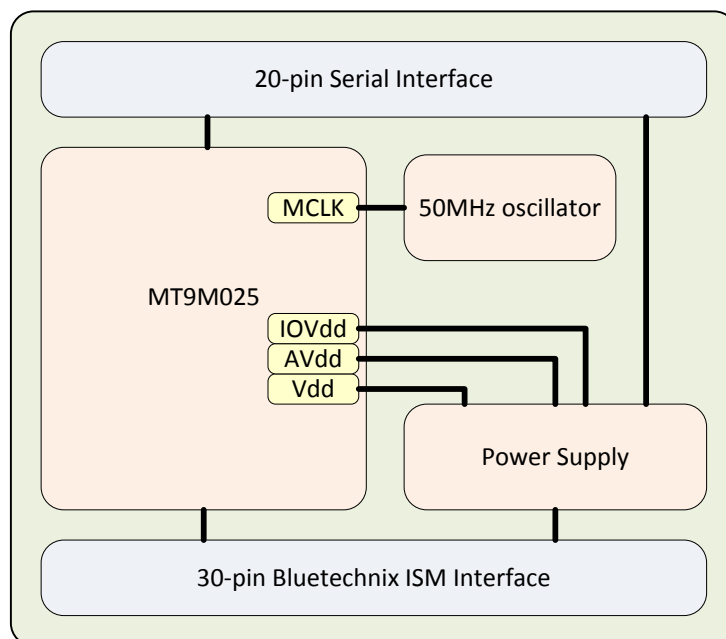


Figure 2-1: ISM-MT9M025 overview

2.1.1 Powering

The ISM-MT9M025 can be powered with only a single supply between 2.5V and 3.1V. If the MCU needs lower I/O voltage levels, a separate I/O voltage supply of min. 1.7V can be applied to the VDDIO pin.

2.1.2 Signal Termination

All data and sync signals are serial terminated with 100Ω serial resistors.

2.2 Mechanical Outline

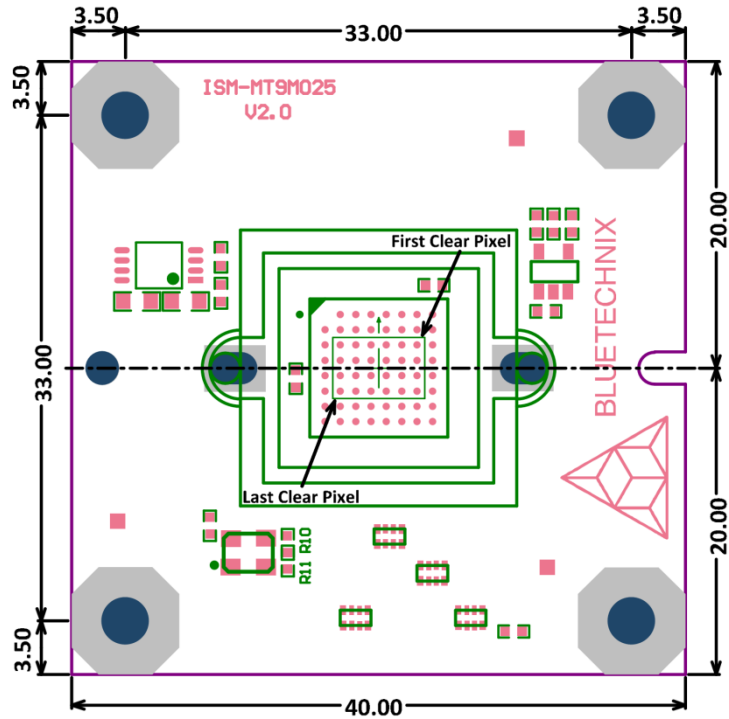


Figure 2-2: Top dimensions (mounting hole position and sensor orientation)

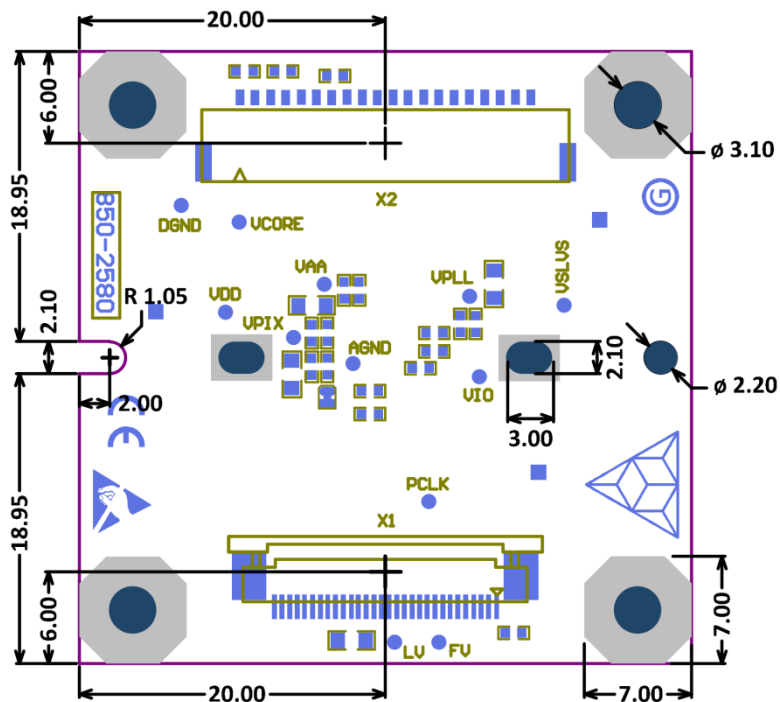


Figure 2-3: Bottom dimensions (mounting holes dimension)

3 Specifications

3.1 Operating Conditions

Symbol	Parameter	Min	Typical	Max	Unit
V_{DD}	Input supply voltage	2.5	2.8	3.1	V
V_{DDIO}	IO Voltage	1.7	1.8/2.8	3.1	V
V_{OH}	High level output voltage	$V_{DDIO}-0.3$		V_{DDIO}	V
V_{OL}	Low level output voltage	0		0.4	V
I_{OH}	High level output current	-22		26.5	mA
I_{OL}	Low level output current			22	mA
V_{IH}	High level input voltage	$V_{DDIO} \times 0.7$			V
V_{IL}	Low level input voltage			$V_{DDIO} \times 0.3$	V
I_{IN}	Input leakage current	20			μ A
P_{Lin}	720p, 60 fps Parallel Output, Linear Mode		270		mW
P_{HDR}	720p, 60 fps Parallel Output, HiDy Mode		460		mW
f_{MCLK}	Master clock frequency		50		MHz

Table 3-1: Electrical characteristics

3.2 Operatin Current Consumption

Resolution	Framerate	Interface	Dynamic	Typ ¹⁾	Max ¹⁾	Unit
1280x960	45fps	Parallel	Linear	145	205	mA
720p	60fps	Parallel	Linear	145	205	mA
1280x960	45fps	Parallel	HiDy	217	265	mA
720p	60fps	Parallel	HiDy	263	265	mA
1280x960	45fps	HiSPi	Linear	135	186	mA
720p	60fps	HiSPi	Linear	135	186	mA
1280x960	45fps	HiSPi	HiDy	210	256	mA
720p	60fps	HiSPi	HiDy	210	256	mA

Table 3-2: Operating Currents for Video Streaming

¹⁾ Measured with single supply: $V_{DD} = V_{DDIO} = 2.8V$.

3.3 Maximum Ratings

Stressing the device above the rating listed in the absolute maximum ratings table may cause permanent damage to the device. These are stress ratings only. Operation of the device at these or any other conditions greater than those indicated in the operating sections of this specification is not implied. Exposure to absolute maximum rating conditions for extended periods may affect device reliability.

Symbol	Parameter	Min	Max	Unit
V_{DD}	Supply voltage	-0.3	4.5	V
V_{IO}	Input or output voltage	-0.3	$V_{DDIO} + 0.3$	V
I_{MAX}	Total Current	0	265	mA
T_{OP}	Operating temperature	-40	85	$^{\circ}$ C
T_{STO}	Storage temperature	-40	150	$^{\circ}$ C
ϕ_{AMB}	Relative ambient humidity		90	%

Table 3-3: Absolute maximum ratings

3.3.1 ESD Sensitivity



ESD (electrostatic discharge) sensitive device. Charged devices and circuit boards can discharge without detection. Although this product features patented or proprietary protection circuitry, damage may occur on devices subjected to high energy ESD. Therefore, proper ESD precautions should be taken to avoid performance degradation or loss of functionality.

4 Connector Description

4.1 BLT-ISM-Connector

The image sensor connector is a standard 0.5mm bottom contact ZIF connector and mates with any 30 pole 0.5mm pitch and 0.4mm thick flat flex cable. To prevent EMI problems we recommend keeping the cable as short as possible.

Pin	Name	Type	Description
1	Vdd	PWR	Voltage Supply
2	GND	PWR	Power Ground
3	SADDR ¹⁾	IpU	Serial Address (internally pulled up with 10kΩ)
4	NC (MCLK)	-	Not connected (Camera Master Clock) ²⁾
5	nRESET	I	Reset (Active Low)
6	SCL	I	Configuration Bus Clock Line (external pull-up needed)
7	SDA	I/O	Configuration Bus Data Line (external pull-up needed)
8	NC	-	Not connected
9	GND	PWR	Power Ground
10	PCLK	O	Pixel Clock
11	FV	O	Line valid (VSYNC)
12	LV	O	Frame valid (HSYNC)
13	TRIGGER	I	Trigger Signal
14	STROBE	O	Strobe Signal
15	NC	-	Not connected
16	NC	-	Not connected
17	D0	O	Pixel Data (LSB)
18	D1	O	Pixel Data
19	VddIO	PWR	I/O Voltage Supply
20	GND	PWR	Power Ground
21	D2	O	Pixel Data
22	D3	O	Pixel Data
23	D4	O	Pixel Data
24	D5	O	Pixel Data
25	GND	PWR	Power Ground
26	D6	O	Pixel Data
27	D7	O	Pixel Data
28	D8	O	Pixel Data
29	D9	O	Pixel Data (MSB)
30	nOE	IpU	Output Enable (Active Low; internally pulled up with 10kΩ)

Table 4-1: BLT-ISM-Connector interface description (X1)

- ¹⁾ The address of the sensors serial interface is 0x20 for write, and 0x21 for read access. The address the addresses may be changed to 0x30 and 0x31 by connecting the SADDR pin to ground.
- ²⁾ The Master Clock is generated by the on board oscillator. If a different clock frequency is needed, there is a possibility to apply an external clock signal to a modified Module. For modification details please contact Bluetechnix.

4.2 ISM- HiSpi-Connector

The HiSpi Interface is available on a 20 pin Hirose DF19 connector.

Note that this connector is not mounted in default configuration. If you need to use the HiSpi Interface, please contact Bluetechnix for specially prepared modules.

Pin	Name	Type	Description
1	GND	PWR	Power Ground
2	VddIO	PWR	I/O Voltage Supply
3	Vdd	PWR	Voltage Supply
4	GND	PWR	Power Ground
5	nRESET	I	Reset (Active Low)
6	STROBE	O	Strobe Signal
7	TRIGGER	I	Trigger Signal
8	SDA	I/O	Configuration Bus Data Line (external pull-up needed)
9	SCL	I	Configuration Bus Clock Line (external pull-up needed)
10	SLVS3+	O	HiSpi serial data lane 3, differential positive
11	SLVS3-	O	HiSpi serial data lane 3, differential negative
12	SLVS2+	O	HiSpi serial data lane 2, differential positive
13	SLVS2-	O	HiSpi serial data lane 2, differential negative
14	SLVS1+	O	HiSpi serial data lane 1, differential positive
15	SLVS1-	O	HiSpi serial data lane 1, differential negative
16	SLVS0+	O	HiSpi serial data lane 0, differential positive
17	SLVS0-	O	HiSpi serial data lane 0, differential negative
18	SLVSC+	O	HiSpi serial clock lane, differential positive
19	SLVSC-	O	HiSpi serial clock lane, differential negative

Table 4-2: BLT-ISM-Connector interface description (X1)

5 Support

5.1 General Support

General support for products can be found at Bluetechnix' support site <https://support.bluetechnix.at/wiki>

5.2 Board Support Packages

Board support packages and software downloads are for registered customers only <https://support.bluetechnix.at/software/>

5.3 Blackfin® Software Support

5.3.1 BLACKSheep® OS

BLACKSheep® OS stands for a powerfully and multithreaded real-time operating system (RTOS) originally designed for digital signal processing application development on Analog Devices Blackfin® embedded processors. This high-performance OS is based on the reliable and stable real-time VDK kernel from Analog Devices that comes with VDSP++ IDE. Of course BLACKSheep® OS is fully supported by all Bluetechnix Core-Modules and development hardware.

5.3.2 LabVIEW

You can get LabVIEW embedded support for Bluetechnix Core Modules by Schmid-Engineering AG <http://www.schmid-engineering.ch>.

5.3.3 uClinux

You can get uClinux support (boot loader and uClinux) for Bluetechnix Core Modules at <http://blackfin.uClinux.org>.

5.4 i.MX Software Support

5.4.1 Linux

Linux BSP and images of derivatives can be found at Bluetechnix' support site <https://support.bluetechnix.at/wiki> at the software section of the related product.

5.5 Blackfin® and i.MX Design Services

Based on more than seven years of experience with Blackfin and i.MX, Bluetechnix offers development assistance as well as custom design services and software development.

5.5.1 Upcoming Products and Software Releases

Keep up to date with all product changes, releases and software updates of Bluetechnix at <http://www.bluetechnix.com>.

6 Ordering Information

6.1 Image Sensor Module

Article Number	Name	Description
100-3206-2	ISM-MT9M025-Color	Image Sensor Module based on Aptina's MT9M025C image SoC
100-3200-2	ISM-MT9M025-Mono	Image Sensor Module based on Aptina's MT9M025M image SoC
100-3208-2	ISM-MT9M025-RCCC	Image Sensor Module based on Aptina's MT9M025R image SoC

Table 6-1: Ordering information ISM

Note that the ISM-MT9M025 is shipped without lens holder and optics. For available accessories see the tables below and take a look on our website for new products.

6.2 Related Products

Article Number	Name	Description
100-2342-2	eDEV-BF5xx	Extended Blackfin Core Modules Development Board
100-2524-1	EXT-SBC-i.MX51-COMM	Communication Extension Board for the SBC-i.MX51
100-2523-1	EXT-SBC-i.MX51-DISP	Display Extension Board for the SBC-i.MX51
100-1420	DEV-i.MX53 Dev. Kit	Development Kit for the CM-i.MX53

Table 6-2: Ordering information of related products

6.3 Lens Holders and Cables

Article Number	Name	Description
100-9043	Lens holder M12 x 0,5 18mm	M12 Lens holder for ISM.
100-9103	ZIF cable 30 pins, 50mm for ISM	50mm ZIF cable for ISM.
100-9104	ZIF cable 30 pins, 150mm for ISM	150mm ZIF cable for ISM.

Table 6-3: Ordering information accessories

CS-Mount equipment can be bought from www.vd-shop.de

Article Number	Name	Shop
301461	Lense-Holder CS-Mount Boardlens	www.vd-shop.de
10208	C-CS-Mount-Adapter	www.vd-shop.de

Table 6-4 - CS/C Mount equipment

NOTE: Custom hard and software developments are available on request! Please contact Bluetechnix (office@bluetechnix.com) if you are interested in custom hard- and software developments.

7 Dependability

7.1 MTBF

Please keep in mind that a part stress analysis would be the only way to obtain significant failure rate results, because MTBF numbers just represent a statistical approximation of how long a set of devices should last before failure. Nevertheless, we can calculate an MTBF of the development board using the bill of material. We take all the components into account. The PCB and solder connections are excluded from this estimation. For test conditions we assume an ambient temperature of 30°C of all development board components. We use the MTBF Calculator from ALD (<http://www.aldservice.com/>) and use the reliability prediction MIL-217F2 Part Stress standard. Please get in touch with Bluetechnix (office@bluetechnix.com) if you are interested in the MTBF result.

8 Product History

8.1 Version Information

Version	Date	Changes
2.0	2012-01-03	New 40x40mm ² ISM design applied. Serial master clock termination changed to 27R (previously 100R). New 50MHz oscillator for full IO supply range.
1.1	2011-07-05	Power Supply added on Module. 50MHz Oscillator added on Module.
1.0	2011-05-24	First release V1.0 of the Hardware.

Table 8-1: Overview product changes

8.2 Anomalies

Version	Date	Description
2.0	2012-01-03	No anomalies reported yet.
1.1	2011-07-05	Master Clock not compatible with full VDD-IO range (1.8V IO supply not available).
1.0	2011 05 24	No anomalies reported yet.

Table 8-2: Overview product anomalies

9 Document Revision History

Version	Date	Document Revision
2	2012 01 03	Changes for HW-Revision V2.0. Updated photo.
1	2011 07 11	First release V1.0 of the Document

Table 9-1: Revision history

10 List of Abbreviations

Abbreviation	Description
ABR	Auto Black Reference
AWB	Auto White Balance
CM	Core Module
ERS	Electronic Rolling Shutter
ESD	Electrostatic Discharge
FPS	Frames per Second
HDR	High Dynamic Range
HiDy	High Dynamic
HiSPi	High-Speed Serial Pixel Interface
I	Input
IpU	Input with internal pull-up resistor
I²C	Inter-Integrated Circuit
I/O	Input/Output
ISM	Image Sensor Module
LVDS	Low Voltage Differential Signaling
MTBF	Mean Time Between Failure
NC	Not Connected
O	Output
PLL	Phase-locked Loop
PWR	Power
QSXGA	Quarter Super Extended Graphics Array (640 x 512)
QVGA	Quarter Video Graphics Array (320 x 240)
RTOS	Real-Time Operating System
SLVS	Scalable Low-Voltage Signaling
SoC	System on Chip
SXGA	Super Extended Graphics Array (1280 x 960)
TISM	Tiny Image Sensor Module
ZIF	Zero Insertion Force

Table 10-1: List of abbreviations

A List of Figures and Tables

Figures

Figure 2-1: ISM-MT9M025 overview	8
Figure 2-2: Top dimensions (mounting hole position and sensor orientation)	9
Figure 2-3: Bottom dimensions (mounting holes dimension)	9

Tables

Table 1-1: Key features	6
Table 3-1: Electrical characteristics	10
Table 3-2: Operating Currents for Video Streaming	10
Table 3-3: Absolute maximum ratings	10
Table 4-1: BLT-ISM-Connector interface description (X1)	12
Table 4-2: BLT-ISM-Connector interface description (X1)	13
Table 6-1: Ordering information ISM	15
Table 6-2: Ordering information of related products	15
Table 6-3: Ordering information accessories	15
Table 6-4 - CS/C Mount equipment	15
Table 8-1: Overview product changes	17
Table 8-2: Overview product anomalies	17
Table 9-1: Revision history	18
Table 10-1: List of abbreviations	19

Mouser Electronics

Authorized Distributor

Click to View Pricing, Inventory, Delivery & Lifecycle Information:

[Bluetechnix:](#)

[100-3200-2](#) [100-3206-2](#) [100-3208-2](#)