

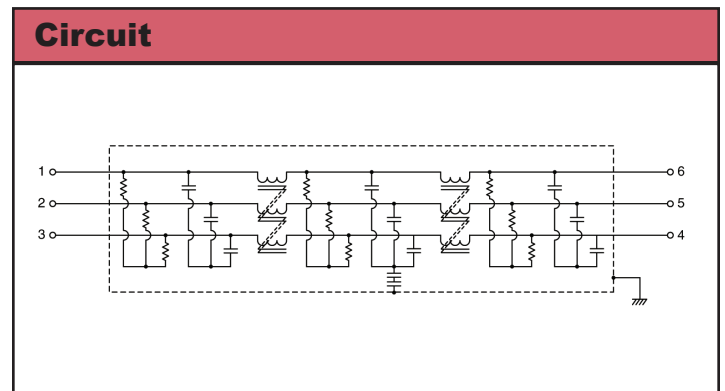
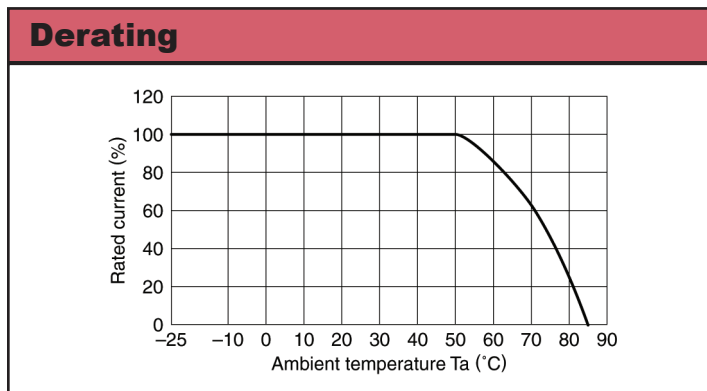
6A to 300A, 500VAC EMI Filters

Features

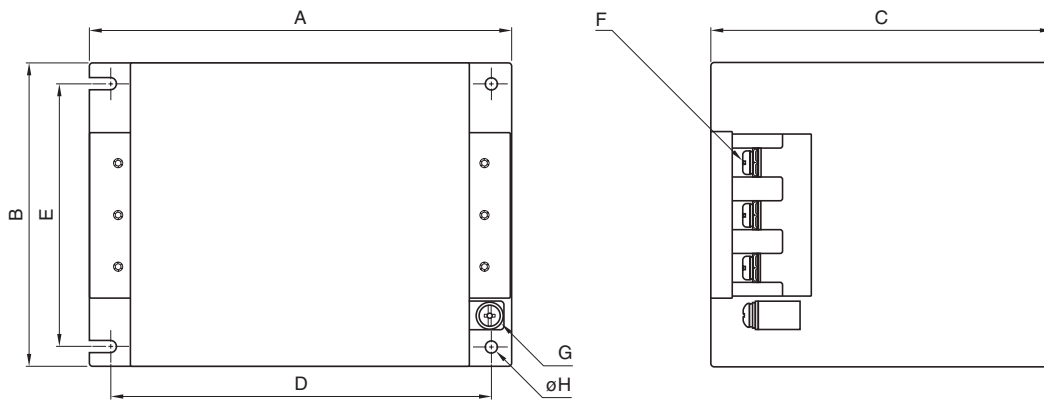
- ◆ Two Stage Filter for Better Performance
- ◆ Square Profile
- ◆ Conforms to UL and EN Safety Agency Certifications



Specifications							
Model		RTHC-5006	RTHC-5010	RTHC-5020	RTHC-5030	RTHC-5040	
Rated Voltage (AC, DC)	V	500V Three phase					
Rated Current	A	6A	10A	20A	30A	40A	
DC Resistance (total)	mΩ	290	120	50	26	20	
Model		RTHC-5050	RTHC-5060	RTHC-5080	RTHC-5100	RTHC-5150	
Rated Voltage (AC, DC)	V	500V Three phase					
Rated Current	A	50A	60A	80A	100A	150A	
DC Resistance (total)	mΩ	14	10	10	8	6	
Model		RTHC-5200	RTHC-5250	RTHC-5300			
Rated Voltage (AC, DC)	V	500V Three phase					
Rated Current	A	200A	250A	300A			
DC Resistance (total)	mΩ	4	3	2			
Withstand Voltage	V	Terminals to Case: 2500VAC (1 Minute)					
Isolation Resistance	MΩ	100MΩ minimum (500VDC, 1 Minute)					
Leakage Current (max)	mA	2.5mA at 250VAC 60Hz, 5mA at 500VAC 60Hz					
Operating Temperature	°C	-25 to +85°C (Derate above 50°C, see derating curve)					
Storage Temperature	°C	-25 to +85°C					
Safety Agency Certifications	-	UL1283 (Up to 150A) & EN60939					
Weight	g	800g to 14800g model dependant (See weights chart on website)					
Warranty	yr	1 Year					



Outline Drawing



Dimensions in mm

Part No.	A	B	C	D	E	F	G	H	Recommended clamping torque
RTHC-5006	145	95	120	130	78	M4	M4	4.5	M4 1.27N m M5 2.5N m M6 4.8N m M8 7.64N m M10 11.8N m
RTHC-5010									
RTHC-5020	160	105	135	145	85	M4	M4		
RTHC-5030									
RTHC-5040	190	128	160	170	102	M5	M4		
RTHC-5050									
RTHC-5060	240	161	210	220	135	M8	M6	6.5	
RTHC-5080									
RTHC-5100									
RTHC-5150	255	190	232	235	164	M8	M6	6.5	
RTHC-5200	340	195	262	320	169	M10	M8	6.5	
RTHC-5250									
RTHC-5300									

For Additional Information, please visit
us.tdk-lambda.com/lp/products/r-series.htm



Mouser Electronics

Authorized Distributor

Click to View Pricing, Inventory, Delivery & Lifecycle Information:

[TDK-Lambda:](#)

[RTHC-5006](#) [RTHC-5020](#) [RTHC-5030](#) [RTHC-5040](#) [RTHC-5060](#) [RTHC-5080](#) [RTHC-5100](#) [RTHC-5150](#) [RTHC-5200](#) [RTHC-5250](#) [RTHC-5300](#) [RTHC-5050](#) [RTHC-5010](#)