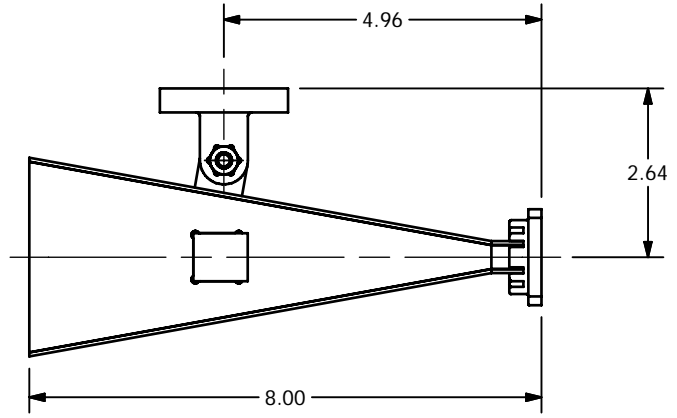
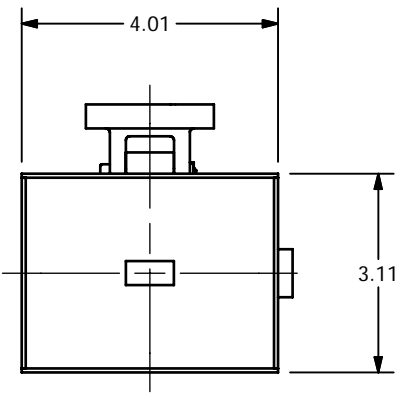
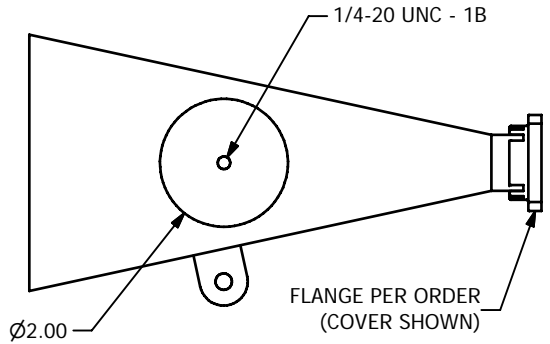
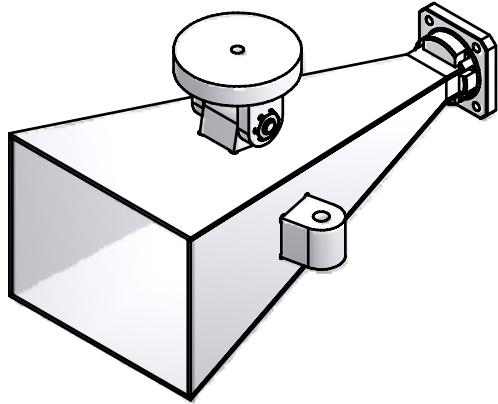


REVISION HISTORY			
REV	AUTH	DATE	DESCRIPTION
A	-	1/17/2008	INITIAL RELEASE



**MODEL SPECIFICATIONS**

**MECHANICAL**

MODEL NUMBER: 75-442-X/BR  
 MATERIAL: 6061/T6 ALUM.  
 FINISH: UNIQUE CORROSION RESISTANT 316 STAINLESS STEEL EPOXY COATING.  
 FLANGES: COVER FLANGE (-6) IS STANDARD, OTHER TYPES ARE AVAILABLE, BUT LENGTH MAY CHANGE.

**ELECTRICAL**

FREQ. RANGE: 10.0 - 15.0 GHz  
 GAIN: 20dB

THIRD ANGLE PROJECTION:		APPROVALS: _____ DATE: _____		ADVANCED TECHNICAL MATERIALS, INC. TEL: (631) 289-0363 FAX: (631) 289-0358 www.atmmicrowave.com		THE INFORMATION IN THIS DRAWING IS PROPRIETARY AND SHALL NOT BE USED OR DISCLOSED WITHOUT THE PRIOR WRITTEN CONSENT OF ATM, INC. DO NOT SCALE DWG.	
UNLESS OTHERWISE NOTED, DIMENSIONS ARE IN INCHES, TOLERANCES ARE: FRACTIONS: ±1/64 ANGLES: ±1/2°				DRAWN: M.R. CHKD: _____ APRVD: _____		<b>WR75 20dB HORN</b> W/ MOUNT	
BASIC DIMENSION	DECIMALS 2 PLACE	DECIMALS 3 PLACE	MATERIAL	SIZE	CAGE CODE	ATM DWG #	REVISION
UNDER 6"	±.02	±.005	ALUM	A	0R8N4	7913	A
6" - 12"	±.03	±.010	TREATMENT	MODEL #			
OVER 12"	±.06	±.015	IRIDITE	75-442-X/BR			SHEET 1
			FINISH				
			ATM GRAY				