

15AT14

M

DRAWING  
NUMBER

4

ISSUE

3

REVISIONS

A	NEW DWG	PR-4440
K	P	K
14	OCT	74
B	CO 59602	
8	KAG	AUG 86
B	CO60089	
8	KAG	AUG 86

REPLACES

PR-4440

CHECK

CHECK

74  
15 OCT 74

CHECK

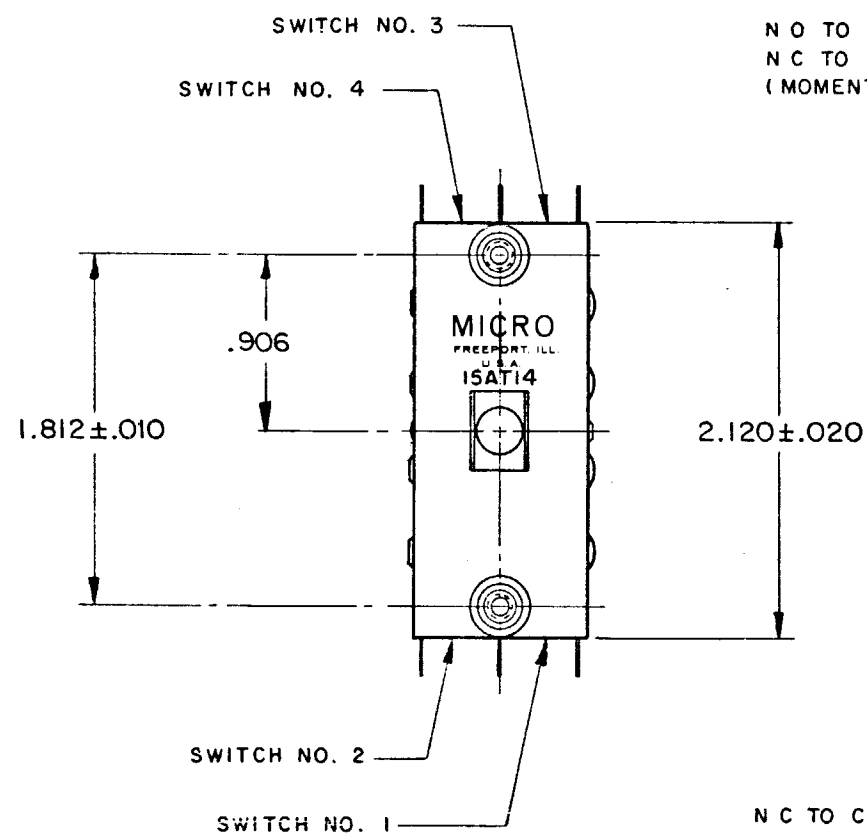
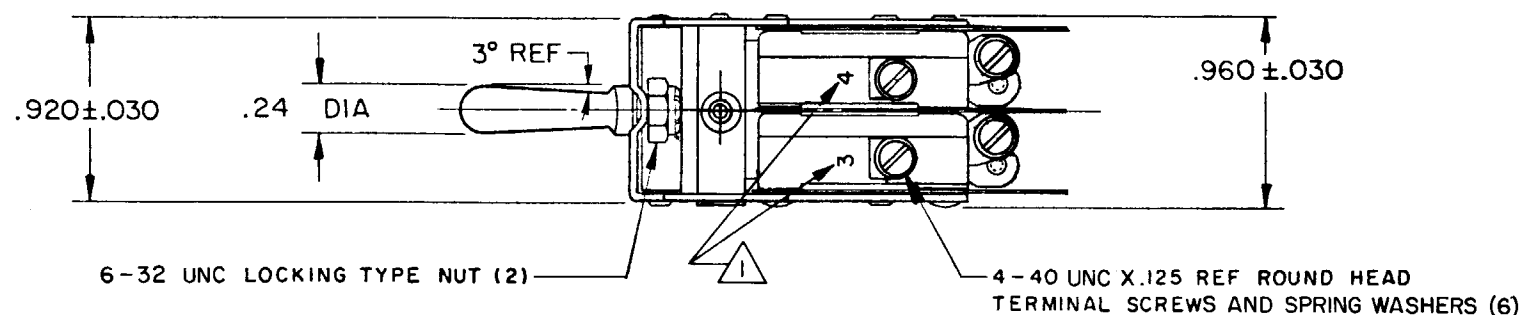
74

OCT

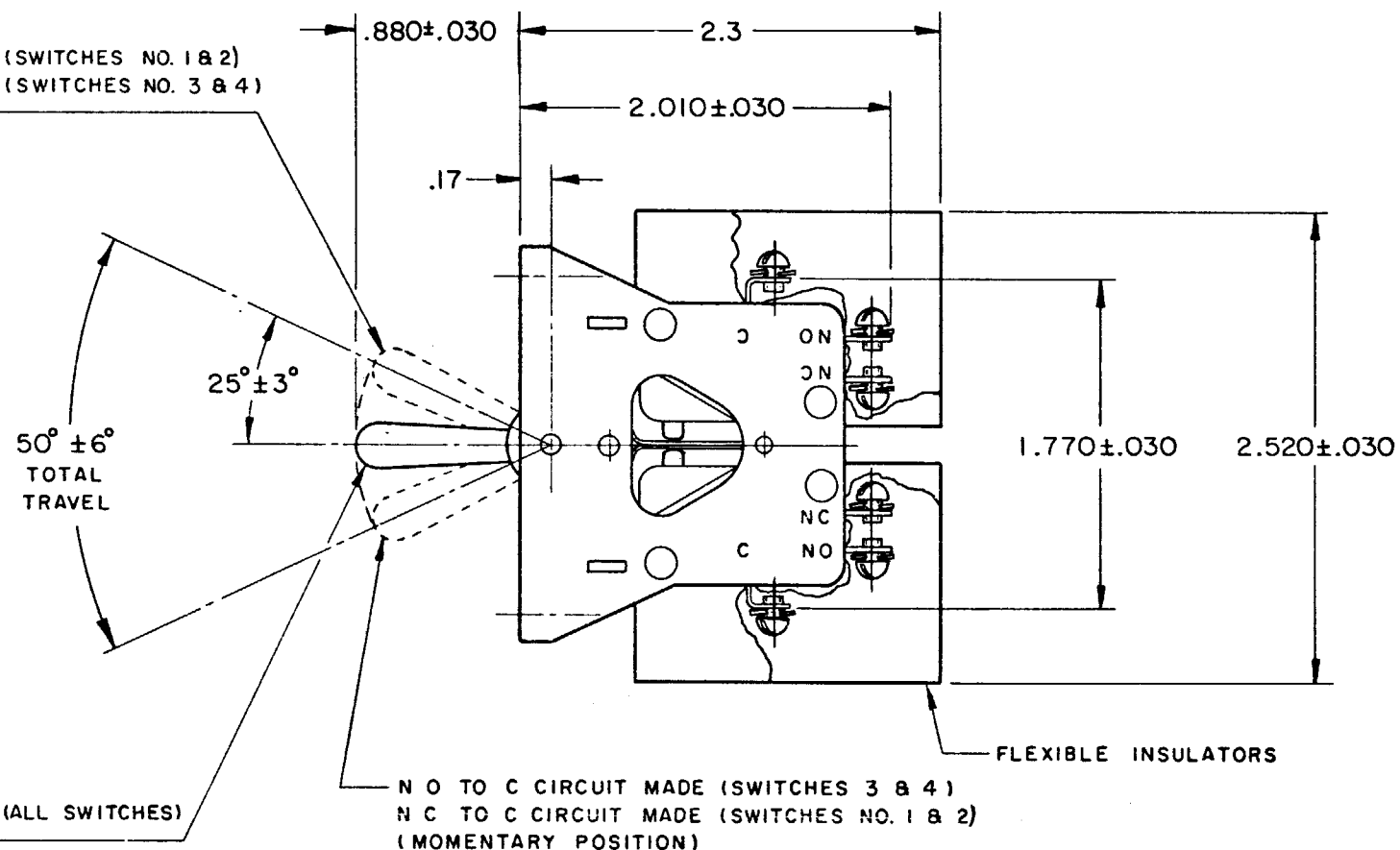
K P

DRAWN

FO-80378-003



N O TO C CIRCUIT MADE (SWITCHES NO. 1 & 2)  
N C TO C CIRCUIT MADE (SWITCHES NO. 3 & 4)  
(MOMENTARY POSITION)



N C TO C CIRCUITS MADE (ALL SWITCHES)  
(MAINTAINED POSITION)

NOTE -

- △ BASIC SWITCH NO. INK STAMPED ON EACH BASIC SWITCH AND COVERED WITH CLEAR LACQUER
- 2 - UNIT INCLUDES CAT. LIST. V3-444 BASIC SWITCH (4)
- 3 - SWITCHES DO NOT OPERATE SIMULTANEOUSLY

THIS DRAWING COVERS A PROPRIETARY ITEM AND IS THE PROPERTY OF MICRO SWITCH, A DIVISION OF MINNEAPOLIS-HONEYWELL REGULATOR CO. THIS DRAWING IS NOT TO BE COPIED OR USED WITHOUT THE APPROVAL OF MICRO SWITCH.

CHARACTERISTICS	ELECTRICAL DATA	SCALE FULL
	CONTACT ARRANGEMENT S P D T (4)	DO NOT SCALE PRINT
	10A-125 OR 250 VAC 1/2A-125 VDC; 1/4A-250 VDC	UNLESS OTHERWISE SPECIFIED DIMENSIONS ARE IN INCHES TOLERANCES ARE: ONE PLACE (.0) $\pm .030$ TWO PLACE (.00) $\pm .015$ THREE PLACE (.000) $\pm .008$ ANGLES $\pm$
		WEIGHT