

This document is the property of Amphenol Corporation and is delivered on the express condition that is not to be disclosed, reproduced or used, in whole or in part, for manufacture or sale by anyone other than Amphenol Corporation without its prior consent, and that no right is granted to disclose or to use any information in this document.

The marking on this product doesn't contain environmental hazardous materials per Material Specification SS-00259 for Sony GP compliant or per directive 2002/95/EC for RoHS compliant.

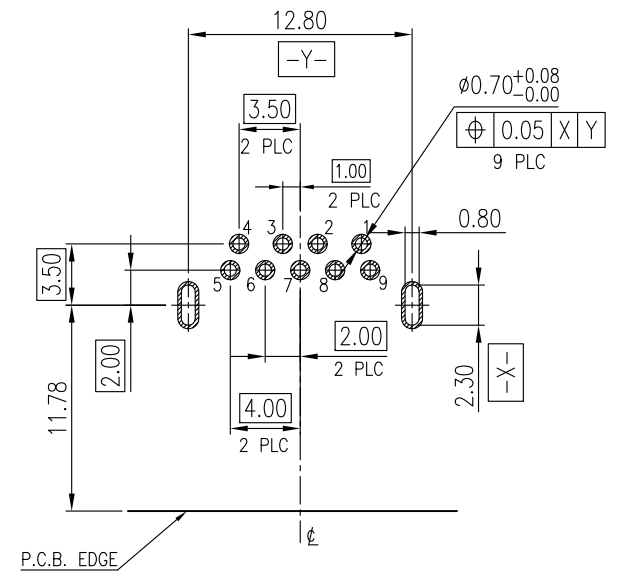
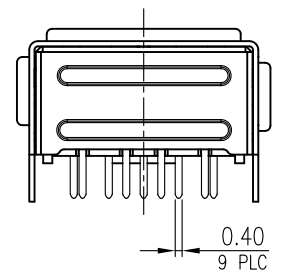
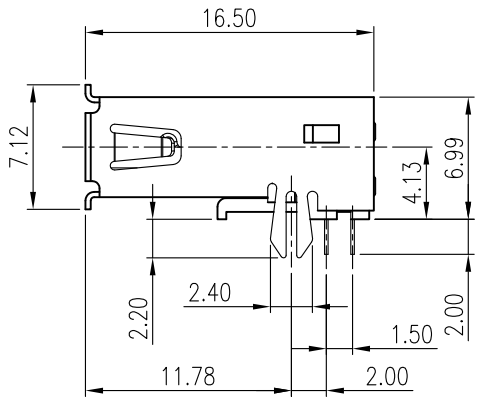
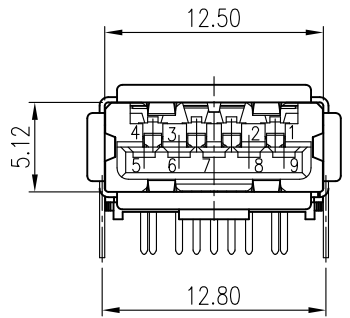
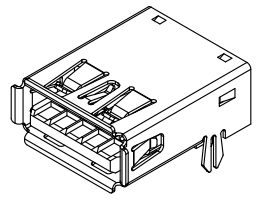
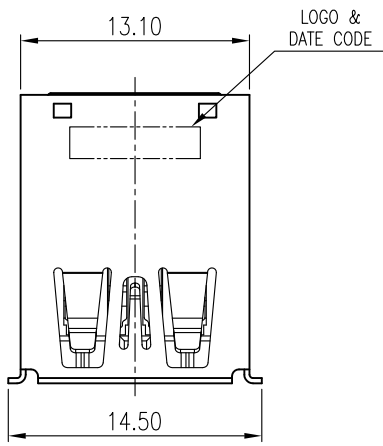
| REVISIONS | | | | |
|-----------|---------|-----------------------|------------|------------|
| SYM | ECN No. | DESCRIPTION | DATE | APPROVED |
| AX1 | | NON-RELEASE REVISION | 06/24/2010 | Roger Tsai |
| AX2 | | UPDATE PLATING OPTION | 06/28/2010 | Roger Tsai |

PART NO. GSB311AXXEU

CONTACT FINISH — COLOR

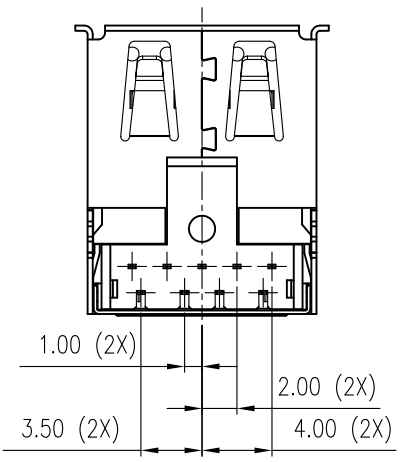
| | |
|--------------------------------------|----------|
| 1: GOLD FLASH | 1: BLUE |
| 2: 15 μ" GOLD | 2: WHITE |
| 3: 30 μ" GOLD | 3: BLACK |
| 4: 2 μ" GOLD + 30 μ" PALLADIUM NICKE | |

- NOTES:**
- MATERIAL:**
HOUSING: HIGH TEMPERATURE THERMAL PLASTIC, UL94V-0, COLOR: OPTION.
SPACER: HIGH TEMPERATURE THERMAL PLASTIC, UL94V-0, COLOR: OPTION.
USB 2.0 TERMINAL: COPPER ALLOY.
USB 3.0 TERMINAL: COPPER ALLOY.
FRONT SHELL: STAINLESS STEEL.
REAR SHELL: STAINLESS STEEL.
 - FINISH:**
TERMINAL:
CONTACT AREA: SELECTED GOLD PLATING;
SOLDERING AREA: MATTE TIN PLATING 100 μ" THICKNESS MIN.;
UNDER PLATING: NICKEL PLATING 50 μ" THICKNESS MIN. OVERALL.
 - PACKING IS PER AMTA PACKING SPECIFICATION PKS-0001.
 - THIS PRODUCT DOESN'T CONTAIN ENVIRONMENTAL HAZARDOUS PER DIRECTIVE 2002/95/EC FOR RoHS COMPLIANT.



**PRELIMINARY RELEASE
SUBJECT TO CHANGE**

RECOMMEND P.C.B LAYOUT (THICKNESS=1.2mm)
(COMPONENT SIDE) TOLERANCE±0.03



| TOLERANCE | APPROVALS | DATE | TITLE | | Amphenol® | |
|----------------------------|---------------------|--------------------|---|--------------|---|----------|
| X. ±0.30 | DRAWN Roger Tsai | 06/28/2010 | USB 3.0 RECEPTACLE, REVERSE TYPE, CENTER HEIGHT= 4.13MM | | Amphenol Corporation Amphenol Taiwan Corporation | |
| X.X ±0.20 | CHECKED Aqua Chou | 06/28/2010 | | | | |
| X.XXX ±0.10 | APPROVED Roger Tsai | 06/28/2010 | | | | |
| ANGULAR ±1° | DWG TYPE CUST DWG | PROJECT CODE OTHER | UNIT mm | SIZE A3 | PART No. GSB311AXXEU | |
| UNLESS OTHERWISE SPECIFIED | | | SCALE NA | SHEET 1 OF 1 | DWG No. GSB311AXXEU | REV. AX2 |