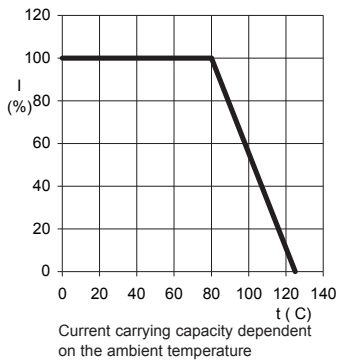
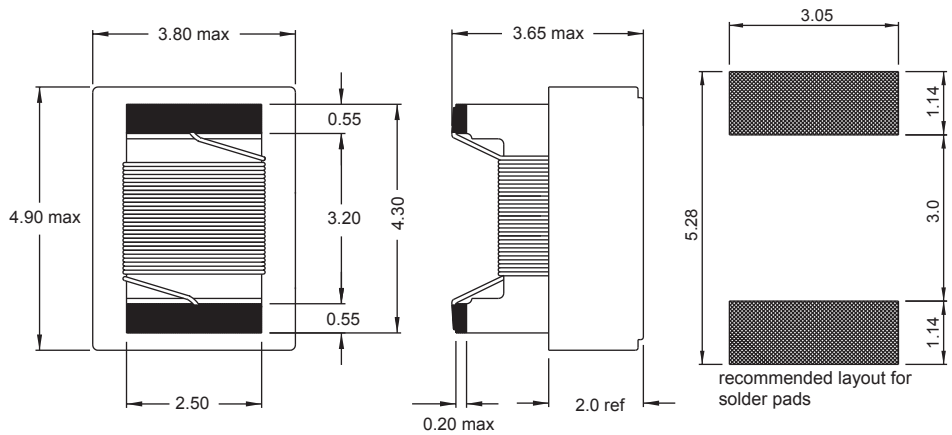
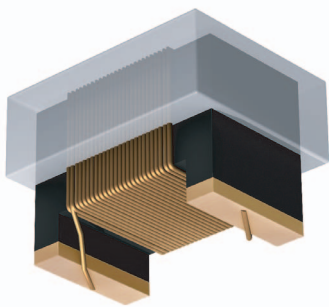
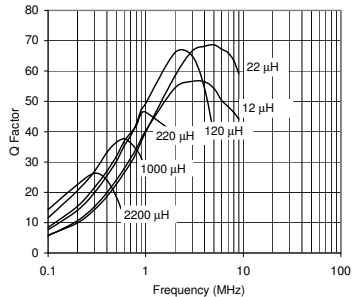


# 1812 AF

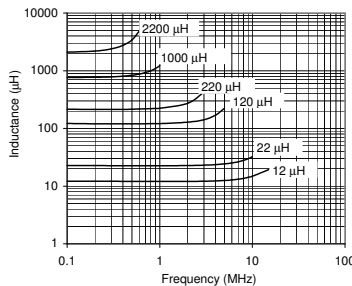
Engineer's Kit : EK-1812AF-X



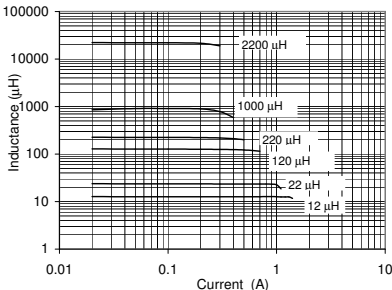
Typical Q vs Frequency(f)



Typical L vs Frequency(f)



Typical L vs Current



Part No	Inductance L (µH)	f <sub>L</sub> (MHz)	Tol ± (%)	Q min	f <sub>Q</sub> (MHz)	SRF typ (MHz)	DCR max (Ω)	Rated DC Current (mA)
1812AF-100K-YY	10	2.5	10	42	2.5	23	1.8	310
1812AF-120K-YY	12	2.5	10	42	2.5	40	2.0	310
1812AF-150K-YY	15	2.5	10	42	2.5	40	2.5	290
1812AF-180K-YY	18	2.5	10	45	2.5	40	2.8	270
1812AF-220K-YY	22	2.5	10	45	2.5	40	3.2	260
1812AF-270K-YY	27	2.5	10	45	2.5	36	3.6	240
1812AF-330K-YY	33	2.5	10	45	2.5	34	4.0	230
1812AF-390K-YY	39	2.5	10	45	2.5	32	4.5	210
1812AF-470K-YY	47	2.5	10	42	2.5	30	5.0	200
1812AF-560K-YY	56	2.5	10	42	2.5	27	5.5	190
1812AF-680K-YY	68	2.5	10	40	2.5	23	6.0	180
1812AF-820K-YY	82	2.5	10	40	2.5	19	7.0	170
1812AF-101K-YY	100	2.5	10	40	2.5	13	8.0	150
1812AF-121K-YY	120	0.79	10	33	0.79	11	11.5	135
1812AF-151K-YY	150	0.79	10	36	0.79	10	13.0	125
1812AF-181K-YY	180	0.79	10	36	0.79	9.0	14.2	120
1812AF-221K-YY	220	0.79	10	38	0.79	6.0	16.2	115
1812AF-271K-YY	270	0.79	10	38	0.79	4.5	20.5	105
1812AF-331K-YY	330	0.79	10	38	0.79	3.5	22.5	100
1812AF-391K-YY	390	0.79	10	38	0.79	3.0	24.5	90
1812AF-471K-YY	470	0.79	10	33	0.79	2.1	26.5	85
1812AF-561K-YY	560	0.79	10	33	0.79	2.0	28.5	75
1812AF-681K-YY	680	0.79	10	27	0.79	1.8	38.0	60
1812AF-821K-YY	820	0.79	10	27	0.79	1.7	41.0	55
1812AF-102K-YY	1000	0.252	10	26	0.252	1.6	44.0	50
1812AF-122K-YY	1200	0.252	10	18	0.252	0.8	60.0	42
1812AF-222K-YY	2200	0.252	10	18	0.252	0.62	84.0	32

Material : Ceramic & Ferrite

SPQ : Reel 600 [-01]  
2,200 [-04]

Remarks: - For not listed inductance values please check availability with us.  
- 2% and 5% tolerance available on request.

Chip Inductors (wire wound - open)

# Mouser Electronics

Authorized Distributor

Click to View Pricing, Inventory, Delivery & Lifecycle Information:

## Fastron:

[1812AF-331K-01](#) [1812AF-330K-01](#) [1812AF-680K-01](#) [1812AF-681K-01](#) [1812AF-221K-01](#) [1812AF-150K-01](#)  
[1812AF-220K-01](#) [1812AF-470K-01](#) [1812AF-471K-01](#) [1812AF-102K-01](#) [1812AF-101K-01](#) [1812AF-100K-01](#) [1812AF-151K-01](#)