

Ultra Miniature SMD Crystal Clock Oscillator



ASCO

1.6 x 1.2 x 0.7mm

ASCO

Moisture Sensitivity Level (MSL) – This product is Hermetically Sealed and not Moisture Sensitive - MSL = N/A: Not Applicable



RoHS/RoHS II compliant

FEATURES:

- Ultra miniature package: 1.6 x 1.2 x 0.7mm
- Tri-state function
- Suitable for high density SMT
- Suitable for RoHS compliant reflow process
- Electrical beam sealed package assures extreme accuracy and high reliability

APPLICATIONS:

- CCD clock for VTR camera
- Computers and peripherals
- Portable electronics
- Mobile communication, PDA

STANDARD SPECIFICATIONS:

Parameters		Minimum	Typical	Maximum	Units	Notes
Frequency Range		1.0		80	MHz	
Operating Temperature		-10		+60	°C	See options
Storage Temperature		-40		+85	°C	
Overall Frequency Stability*		-50		+50	ppm	See options
Supply Voltage (Vdd)		2.97	3.3	3.63	V	Standard
		2.25	2.5	2.75		Option "1"
		1.62	1.8	1.98		Option "2"
Supply Current (I _{dd}) into 15pF Load	Vdd = 3.3 V		3.0	4.5	mA	1MHz ≤ F ≤ 20 MHz
			4.2	6.0		20 MHz < F ≤ 50 MHz
			6.0	8.5		50 MHz < F ≤ 80 MHz
	Vdd = 2.5 V		2.5	3.5		1MHz ≤ F ≤ 20 MHz
			3.0	4.5		20 MHz < F ≤ 50 MHz
			4.0	6.0		50 MHz < F ≤ 80 MHz
	Vdd = 1.8 V		2.0	3.0		1MHz ≤ F ≤ 20 MHz
			2.5	3.5		20 MHz < F ≤ 50 MHz
			3.5	5.0		50 MHz < F ≤ 80 MHz
Output Load				15	pF	CMOS
Output Voltage	V _{OH}	0.9*Vdd			V	
	V _{OL}			0.1*Vdd		
Tri-state function		"1" (VIH ≥ 0.7*Vdd) or Open : Oscillation "0" (VIH < 0.3*Vdd) : Hi Z				
Aging		-3.0		3.0	ppm	@+25°C First year
Symmetry @1/2Vdd		40	50	60	%	Standard
		45	50	55		Option S
Start-up Time				2.0	ms	
Rise/Fall Time (Tr/Tf)				5.0	ns	

*Overall frequency stability includes initial frequency tolerance @+25°C and stability over the operating temperature.

Ultra Miniature SMD Crystal Clock Oscillator

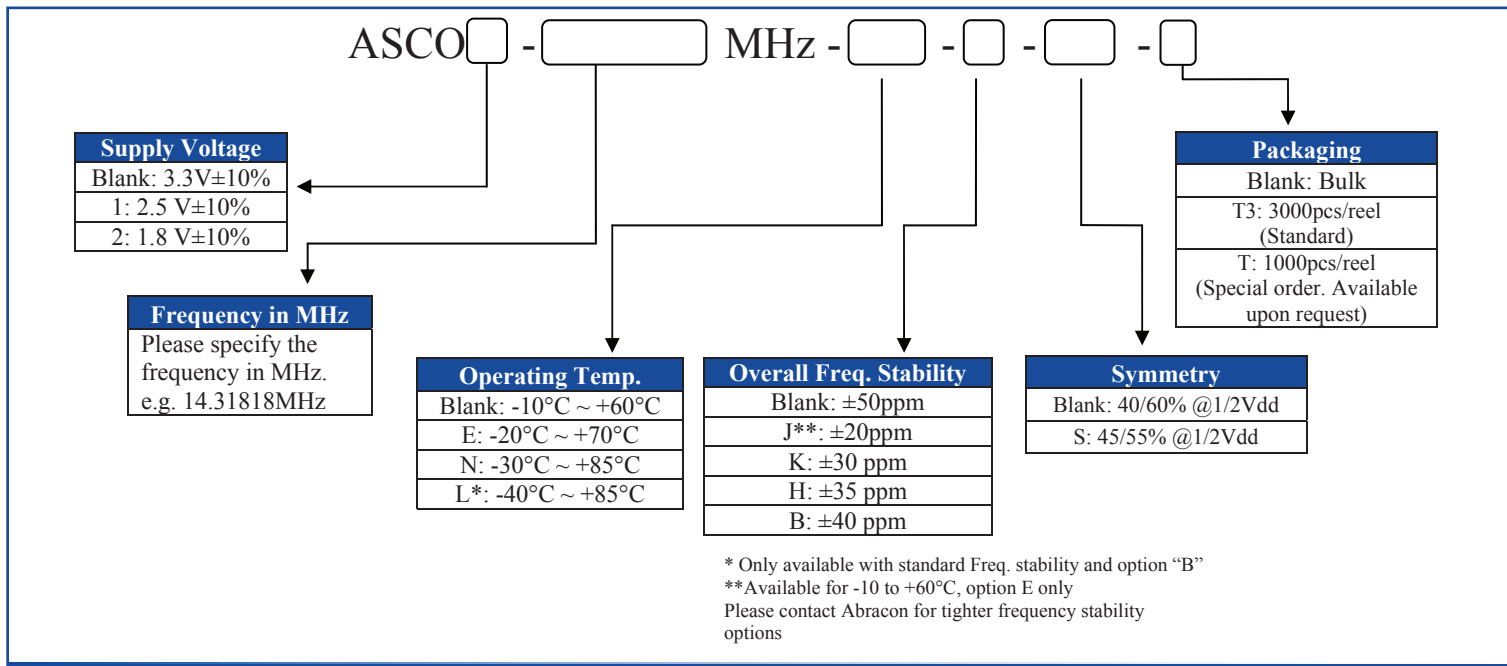


1.6 x 1.2 x 0.7mm

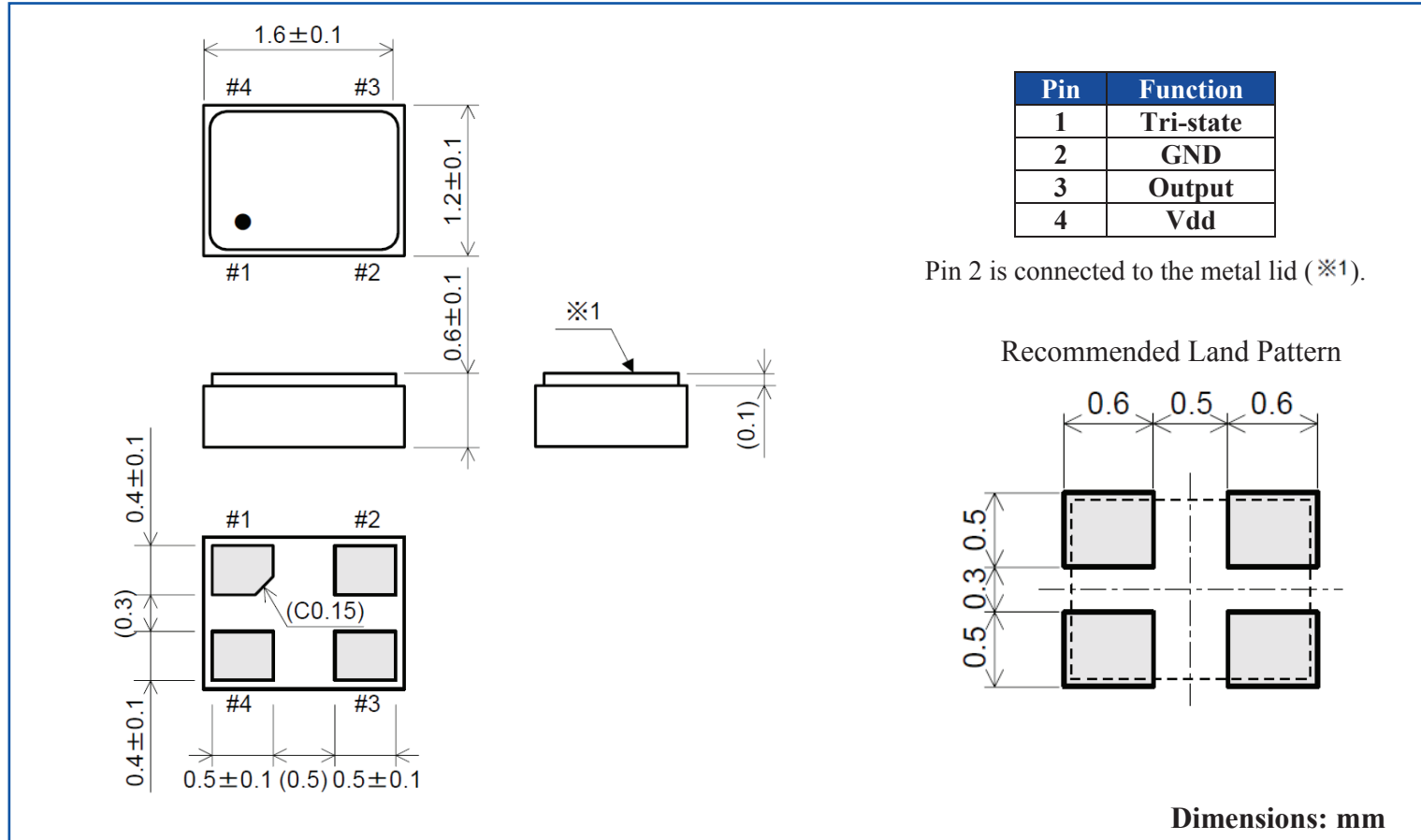
ASCO

Pb RoHS/RoHS II compliant

PART IDENTIFICATION:



OUTLINE DRAWING:



ABRACON IS
ISO 9001:2008
CERTIFIED



Visit www.abracon.com for Terms & Conditions of Sale
30332 Esperanza, Rancho Santa Margarita, California 92688
tel 949-546-8000 | fax 949-546-8001 | www.abracon.com
Revised: 02.10.14

Ultra Miniature SMD Crystal Clock Oscillator



ASCO

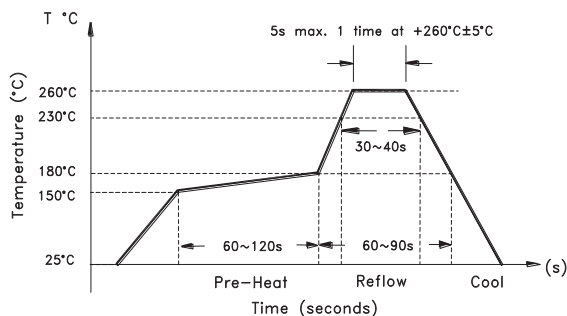
1.6 x 1.2 x 0.7mm

ASCO



RoHS/RoHS II compliant

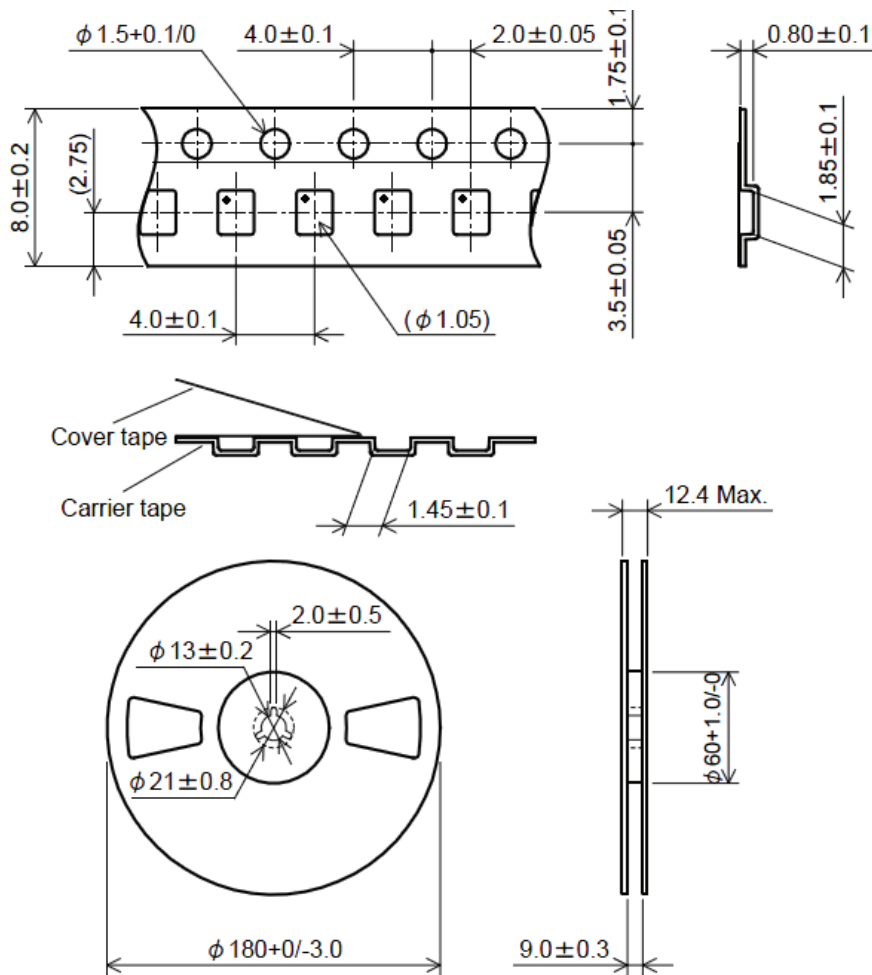
REFLOW PROFILE:



TAPE & REEL:

T3= 3,000pcs/reel (Standard)

T = 1,000pcs/reel (Special order. Available upon request)



Dimensions: mm

ATTENTION: Abracon Corporation's products are COTS – Commercial-Off-The-Shelf products; suitable for Commercial, Industrial and, where designated, Automotive Applications. Abracon's products are not specifically designed for Military, Aviation, Aerospace, Life-dependant Medical applications or any application requiring high reliability where component failure could result in loss of life and/or property. For applications requiring high reliability and/or presenting an extreme operating environment, written consent and authorization from Abracon Corporation is required. Please contact Abracon Corporation for more information.

ABRACON IS
ISO 9001:2008
CERTIFIED



Visit www.abracon.com for Terms & Conditions of Sale
30332 Esperanza, Rancho Santa Margarita, California 92688
tel 949-546-8000 | fax 949-546-8001 | www.abracon.com

Revised: 02.10.14

Mouser Electronics

Authorized Distributor

Click to View Pricing, Inventory, Delivery & Lifecycle Information:

ABRACON:

[ASCO-7.3728MHZ-EK-T](#) [ASCO-8.000MHZ-EK-T](#) [ASCO-11.2896MHZ-EK-T](#) [ASCO-38.400MHZ-EK-T](#) [ASCO-60.000MHZ-EK-T](#) [ASCO-66.666MHZ-EK-T](#) [ASCO-1.544MHZ-EK-T3](#) [ASCO-6.000MHZ-EK-T3](#) [ASCO-29.4912MHZ-EK-T3](#) [ASCO-70.000MHZ-EK-T3](#) [ASCO1-1.000MHZ-EK-T3](#) [ASCO-11.0592MHZ-EK-T](#) [ASCO-14.7456MHZ-EK-T](#) [ASCO-29.4912MHZ-EK-T](#) [ASCO-44.000MHZ-EK-T](#) [ASCO-1.8432MHZ-EK-T3](#) [ASCO-25.000MHZ-EK-T3](#) [ASCO-33.000MHZ-EK-T3](#) [ASCO-37.400MHZ-EK-T3](#) [ASCO-13.000MHZ-EK-T](#) [ASCO-3.6864MHZ-EK-T3](#) [ASCO-11.0592MHZ-EK-T3](#) [ASCO-12.288MHZ-EK-T3](#) [ASCO-13.000MHZ-EK-T3](#) [ASCO-6.140MHZ-EK-T](#) [ASCO-33.333MHZ-EK-T](#) [ASCO-64.000MHZ-EK-T](#) [ASCO-2.048MHZ-EK-T3](#) [ASCO-6.140MHZ-EK-T3](#) [ASCO-15.000MHZ-EK-T3](#) [ASCO-48.000MHZ-EK-T3](#) [ASCO-1.544MHZ-EK-T](#) [ASCO-66.000MHZ-EK-T](#) [ASCO-4.000MHZ-EK-T](#) [ASCO-26.000MHZ-EK-T](#) [ASCO-32.000MHZ-EK-T](#) [ASCO-80.000MHZ-EK-T](#) [ASCO-18.432MHZ-EK-T3](#) [ASCO-12.000MHZ-EK-T](#) [ASCO-14.31818MHZ-EK-T](#) [ASCO-5.000MHZ-EK-T3](#) [ASCO-72.000MHZ-EK-T](#) [ASCO-27.120MHZ-EK-T3](#) [ASCO-1.000MHZ-EK-T](#) [ASCO-1.000MHZ-EK-T3](#) [ASCO-2.048MHZ-EK-T](#) [ASCO-7.3728MHZ-EK-T3](#) [ASCO-16.000MHZ-EK-T](#) [ASCO-16.384MHZ-EK-T](#) [ASCO-18.432MHZ-EK-T](#) [ASCO-4.000MHZ-EK-T3](#) [ASCO-80.000MHZ-EK-T3](#) [ASCO-2.000MHZ-EK-T](#) [ASCO-12.288MHZ-EK-T](#) [ASCO-20.000MHZ-EK-T](#) [ASCO-2.000MHZ-EK-T3](#) [ASCO-32.768MHZ-EK-T3](#) [ASCO-66.000MHZ-EK-T3](#) [ASCO-12.352MHZ-EK-T](#) [ASCO-15.000MHZ-EK-T](#) [ASCO-70.000MHZ-EK-T](#) [ASCO-76.800MHZ-EK-T](#) [ASCO-19.440MHZ-EK-T3](#) [ASCO-30.000MHZ-EK-T](#) [ASCO-8.000MHZ-EK-T3](#) [ASCO-12.500MHZ-EK-T3](#) [ASCO-16.384MHZ-EK-T3](#) [ASCO-75.000MHZ-EK-T3](#) [ASCO-5.000MHZ-EK-T](#) [ASCO-12.500MHZ-EK-T](#) [ASCO-25.000MHZ-EK-T](#) [ASCO-44.000MHZ-EK-T3](#) [ASCO-60.000MHZ-EK-T3](#) [ASCO-19.440MHZ-EK-T](#) [ASCO-40.000MHZ-EK-T](#) [ASCO-65.000MHZ-EK-T](#) [ASCO-40.000MHZ-EK-T3](#) [ASCO-64.000MHZ-EK-T3](#) [ASCO-72.000MHZ-EK-T3](#) [ASCO-6.000MHZ-EK-T](#) [ASCO-24.000MHZ-EK-T](#) [ASCO-27.000MHZ-EK-T](#) [ASCO-32.768MHZ-EK-T](#) [ASCO-33.000MHZ-EK-T](#) [ASCO-11.2896MHZ-EK-T3](#) [ASCO-24.576MHZ-EK-T3](#) [ASCO-27.000MHZ-EK-T3](#) [ASCO-68.000MHZ-EK-T3](#) [ASCO-76.800MHZ-EK-T3](#) [ASCO1-1.8432MHZ-EK-T3](#) [ASCO-1.8432MHZ-EK-T](#) [ASCO-12.000MHZ-EK-T3](#) [ASCO-19.200MHZ-EK-T3](#) [ASCO-20.000MHZ-EK-T3](#) [ASCO-19.200MHZ-EK-T](#) [ASCO-68.000MHZ-EK-T](#) [ASCO-14.31818MHZ-EK-T3](#) [ASCO-16.000MHZ-EK-T3](#) [ASCO-24.000MHZ-EK-T3](#) [ASCO-32.000MHZ-EK-T3](#)