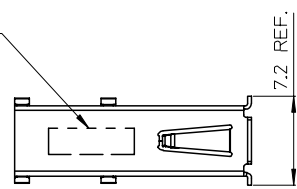
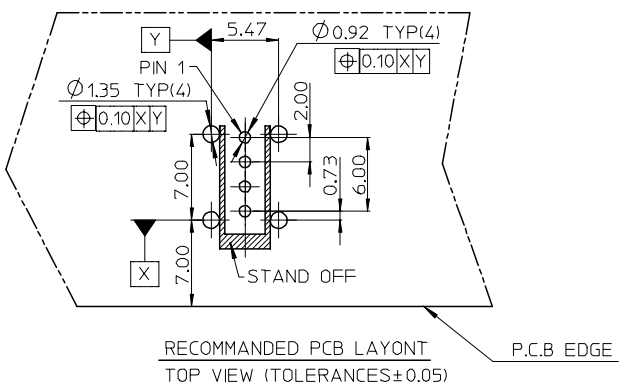
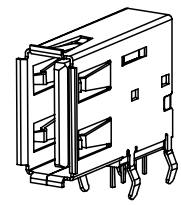
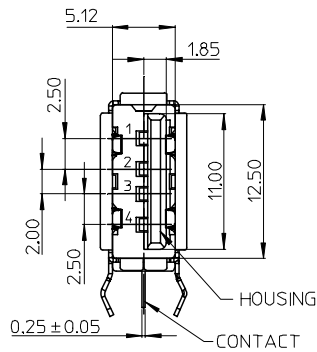
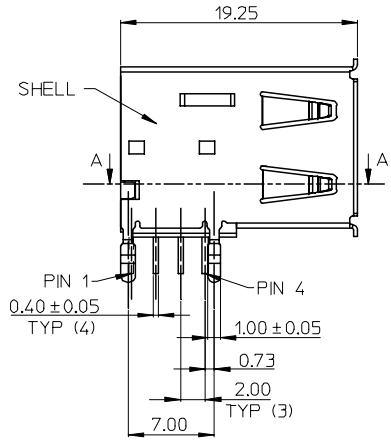
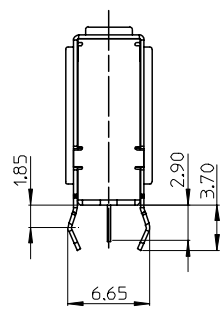


MOLEX LOGO AND DATE CODE



NOTES:

- 1.MATERIAL:
SHELL: BRASS
REAR SHIELD: SPCC
HOUSING:THERMOPLASTIC POLYESTER, GLASS FIBER FILLED, UL94V-0, COLOR BLACK.
CONTACT: PHOSPHOR BRONZE
- 2.PLATING:
TERMINAL:
CONTACT AREA:GOLD(Au), THICKNESS=30 MICROINCH MINIMUM.
SOLDER TAIL:TIN (Sn), ALLOY,THICKNESS=120 MICROINCH MINIMUM.
UNDER PLATED:NICKEL(Ni).
- METAL SHELL:
NICKEL(Ni),THICKNESS=120 MICROINCH MINIMUM.
UNDER PLATE: COPPER(Cu).
- 3.RECOMMENDED PCB THICKNESS:1.60mm±0.05mm
- 4.PRODUCT SPECIFICATION: PS-48204-001
- 5.PACKAGE: PK-48204-001
- 6.TEST SUMMARY: TS-48204-001



RECOMMENDED PCB LAYOUT TOP VIEW (TOLERANCES±0.05)

<p>NEW RELEASE EC NO: SH2005-0330 DRWN:ALLIN 2005/07/21 CHKD: 2005/07/21 APPR:WMSCHANG 2005/07/21</p>	QUALITY SYMBOLS	GENERAL TOLERANCES (UNLESS SPECIFIED)		DIMENSION STYLE	SCALE	DESIGN UNITS	THIRD ANGLE PROJECTION	
	▽=0 ∇=0	mm	INCH	MM ONLY	1:1	METRIC		
		4 PLACES ± --- ± ---	3 PLACES ± --- ± ---	2 PLACES ± 0.25 ± ---	1 PLACE ± 0.25 ± ---	DRAWN BY DATE COLIN DUAN 2005/01/25		TITLE USB A TYPE UP-RIGHT REVERSE CONNECTOR (LEAD FREE VERSION)
		ANGULAR ± 3 °			CHECKED BY DATE ALLEN LIN 2005/01/25		MOLEX INCORPORATED	
	DRAFT WHERE APPLICABLE MUST REMAIN WITHIN DIMENSIONS		MATERIAL NO. 48204-0001		APPROVED BY DATE WILSON CHANG 2005/01/25		DOCUMENT NO. SD-48204-001	
	SIZE A3 THIS DRAWING CONTAINS INFORMATION THAT IS PROPRIETARY TO MOLEX INCORPORATED AND SHOULD NOT BE USED WITHOUT WRITTEN PERMISSION							SHEET NO. 1 OF 1