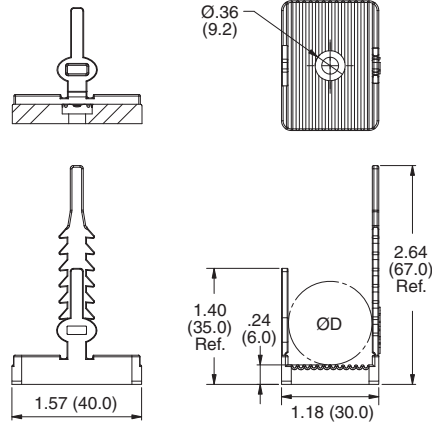
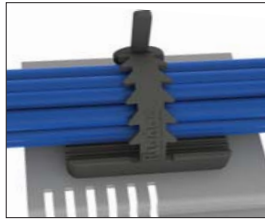




UMB
Universal Rubber Clamp



Specifications:

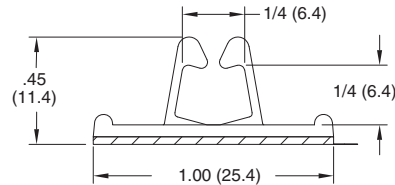
- Material: Neoprene Rubber, 50 Shore A
- Color: Black

Features:

- Flexible, serrated buckle style clamp provides a tight grip to the bundle
- Large, ribbed base gives the cables extra surface area which provides some strain relief
- Two mounting styles available: #10 screw or adhesive

Item No.	Mounting Method	D Approx. Max Cable Bundle Ø		Pack Qty.	Bulk Pack Qty.
		In	mm		
UMB-1	#10 or M5 Screw	.79	20.0	1	200
UMB-1A-RT	Adhesive	.79	20.0	1	200

WCB
Cord Clip on Adhesive Base



Specifications:

- Material: UL94 V-2 Nylon 6/6
- Color: Natural

Features:

- Routes and fastens cords & cables
- Adhesive mount design for quick & easy installation

Item No.	Approval	Depth		Bulk Pack Qty.
		In	mm	
WCB-250-01A-RT		0.500	12.7	1000

SCCA / SCCB
Standoff Cable Clip

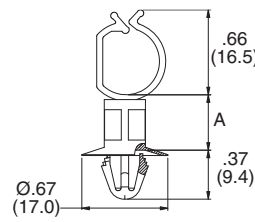


Figure 1

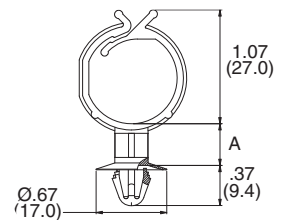


Figure 2

Specifications:

- Material: Nylon 6/6
- Color: Natural
- Mounting Hole: .256 - .276 (6.5 - 7.0)
- Panel Thickness: .0024 - 0.079 (0.6 - 2.0)

Features:

- Gathers and routes wires
- Standoff design provides spacing between the wires and chassis

Item No.	UL94 V-2	UL94 V-0	Figure	A		Max Bundle Ø		Bulk Pack Qty.
				In	mm	In	mm	
SCCA-1-01	SCCA-1-19		1	0.160	4.0	0.870	22.0	1000
SCCA-2-01	SCCA-2-19		1	0.240	6.0	0.870	22.0	1000
SCCA-3-01	SCCA-3-19		1	0.320	8.0	0.870	22.0	1000
SCCA-4-01	SCCA-4-19		1	0.390	10.0	0.870	22.0	1000
SCCA-5-01	SCCA-5-19		1	0.470	12.0	0.870	22.0	1000
SCCB-1-01	SCCB-1-19		2	0.160	4.0	0.430	11.0	1000
SCCB-2-01	SCCB-2-19		2	0.240	6.0	0.430	11.0	1000
SCCB-3-01	SCCB-3-19		2	0.320	8.0	0.430	11.0	1000
SCCB-4-01	SCCB-4-19		2	0.390	10.0	0.430	11.0	1000
SCCB-5-01	SCCB-5-19		2	0.470	12.0	0.430	11.0	1000
SCCB-6-01	SCCB-6-19		2	1.180	30.0	0.430	11.0	1000