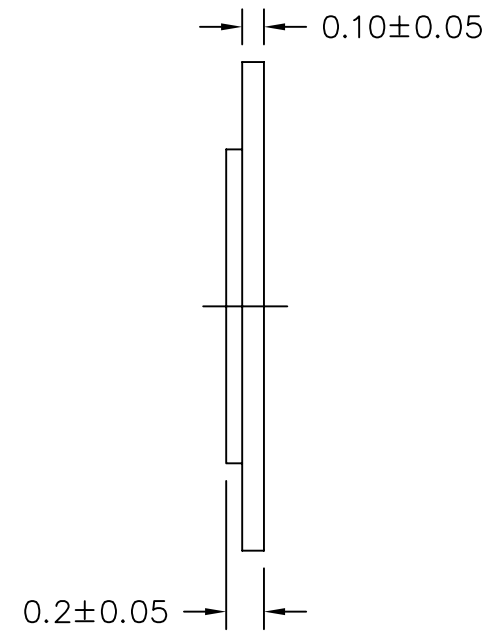
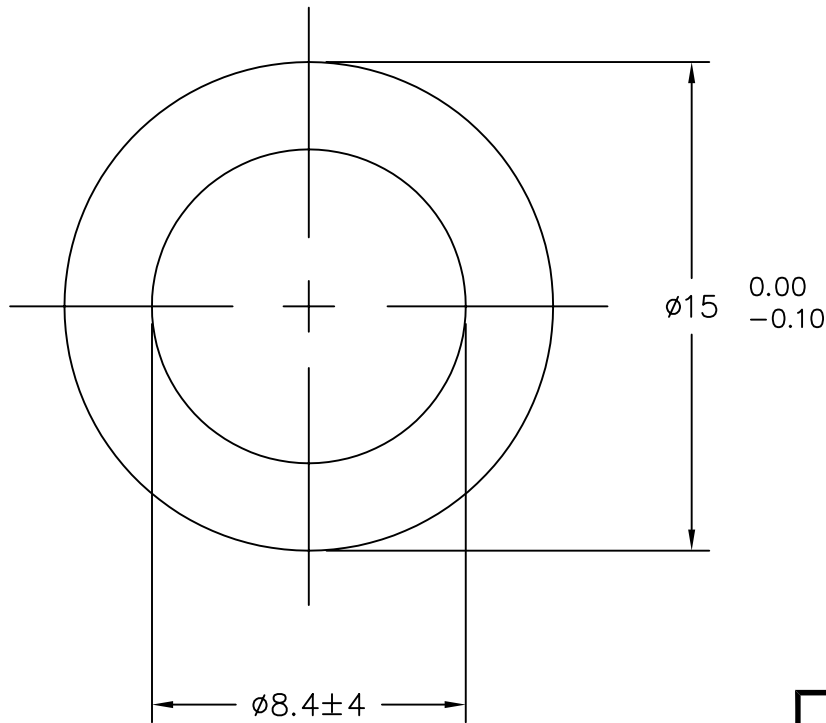


THIS DOCUMENT CONTAINS DATA PROPRIETARY TO PROJECTS UNLIMITED, INC. ANY USE OR REPRODUCTION, IN ANY FORM, WITHOUT PRIOR WRITTEN PERMISSION OF PROJECTS UNLIMITED, INC. IS PROHIBITED.
© 2003, Projects Unlimited Inc.

SPECIFICATIONS

PARAMETERS	VALUES	UNITS
RESONANT FREQUENCY	4,100±500	Hz
RESONANT IMPEDANCE (MAX)	1,000	Ohm
MAX INPUT VOLTAGE	15	Vp-p
CAPACITANCE @ 1KHz	8,000±30%	pF
PLATE MATERIAL	BRASS	-
OPERATING TEMPERATURE	-20 ~ +60	°C
STORAGE TEMPERATURE	-20 ~ +70	°C


REVISIONS			
LTR	DESCRIPTION	DATE	APPROVED
-	RELEASED FROM ENGINEERING	5/22/01	
A	REVISED TO NEW TEMPLATE	8/29/03	R.W.
B	REVISED SPECIFICATIONS	1/8/04	R.W.
C	REVISED DIMENSION SIZE AND STYLE	01/12/06	B.R.



NOTES:

1. ALL DIMENSIONS ARE IN MILLIMETERS.
2. SPECIFICATION SUBJECT TO CHANGE OR WITHDRAWAL WITHOUT NOTICE.

FILE NAME
AB1541.DWG

UNLESS OTHERWISE SPECIFIED: DIMENSIONS ARE IN MILLIMETERS; TOLERANCES ARE ± 0.5 AND ANGLES ARE $\pm 3^\circ$.		 projects [®] unlimited Dayton, Ohio	
APPROVALS	DATE	PIEZO CERAMIC BENDER DRAWING NO. AB1541	
DRAWN <i>RABL</i>	5/01		
APPROVED <i>S.J.</i>	5/01		
DO NOT SCALE DRAWING		SIZE A	SHEET 1 OF 1
		SCALE: N.T.S.	