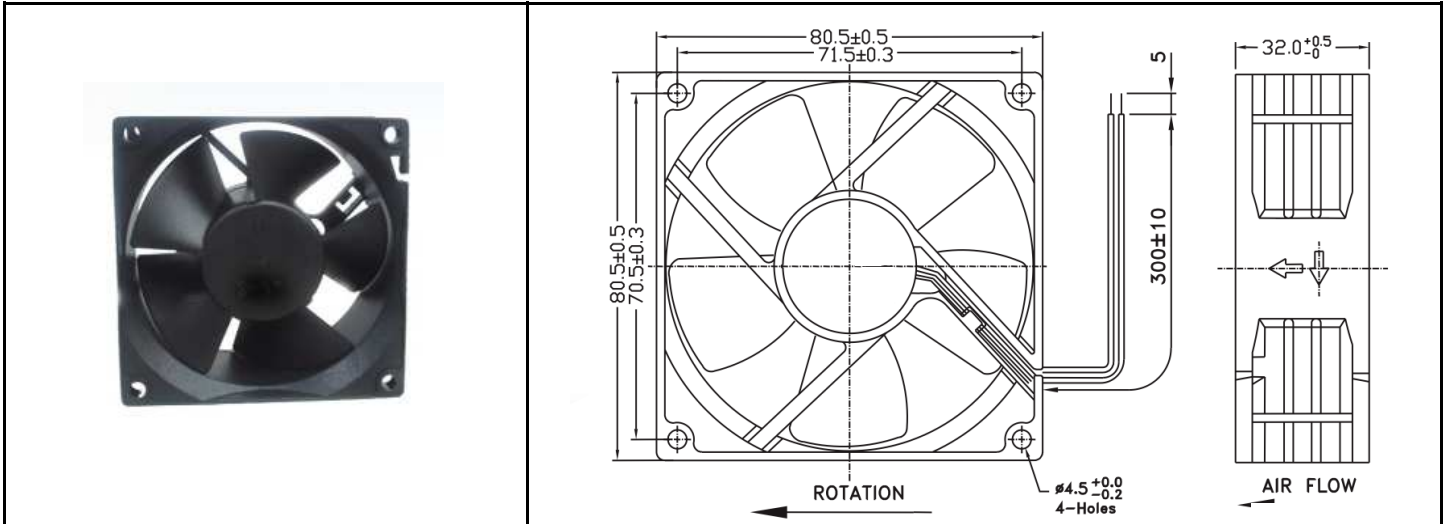


OD8032 Series



DC Fan - 12, 24, 48V
80x32mm (3.15"x 1.25")



| | | | |
|-----------------------|---|--|--|
| Frame & Impeller | PBT, UL94V-O plastic | Available Options: Tachometer (FG) Alarm (RD) Thermal Speed Control (Thermistor) PWM Input (Manual Speed Control) Life Expectancy (L10) Ball Bearing 70,000 hours (L10 at 40C) Sleeve Bearing 35,000 hours (L10 at 40C) Operating Temperature Ball Bearing -20C ~ +70C Sleeve Bearing -10C ~ +50C | |
| Connection | 2x Lead wires, UL1007, 24AWG | | |
| Motor | Brushless DC, auto restart, polarity protected | | |
| Bearing System | Dual Ball or Sleeve | | |
| Insulation Resistance | 10M ohm between leadwire and frame (500VDC) | | |
| Dielectric Strength | 1 second at 500 VAC, max leakage - 500 MicroAmp | | |
| Storage Temperature | -30C ~ +90C | | |

| Model Number | Speed (RPM) | Airflow (CFM) | Noise (dB) | Volts DC | Voltage Range | Nominal Amps | Max. Static Pressure (\"H2O) |
|--------------|-------------|---------------|------------|----------|---------------|--------------|------------------------------|
| OD8032-12H* | 3800 | 50 | 42 | 12 | 10.8~13.2 | 0.19 | 0.29 |
| OD8032-12M* | 3400 | 45 | 37 | 12 | 10.8~13.2 | 0.16 | 0.24 |
| OD8032-12L* | 3000 | 40 | 35 | 12 | 10.8~13.2 | 0.11 | 0.19 |
| OD8032-24H* | 3800 | 50 | 42 | 24 | 21.6~26.4 | 0.12 | 0.29 |
| OD8032-24M* | 3400 | 45 | 37 | 24 | 21.6~26.4 | 0.10 | 0.24 |
| OD8032-24L* | 3000 | 40 | 35 | 24 | 21.6~26.4 | 0.07 | 0.19 |
| OD8032-48H* | 3800 | 50 | 42 | 48 | 24~56 | 0.08 | 0.29 |
| OD8032-48M* | 3400 | 45 | 37 | 48 | 24~56 | 0.07 | 0.24 |
| OD8032-48L* | 3000 | 40 | 35 | 48 | 24~56 | 0.06 | 0.19 |

* Indicate "B" to specify Ball bearing or "S" to specify Sleeve bearing