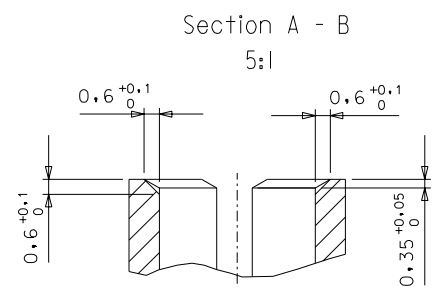
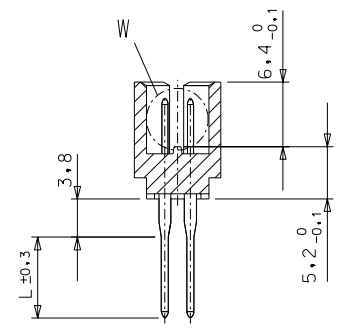
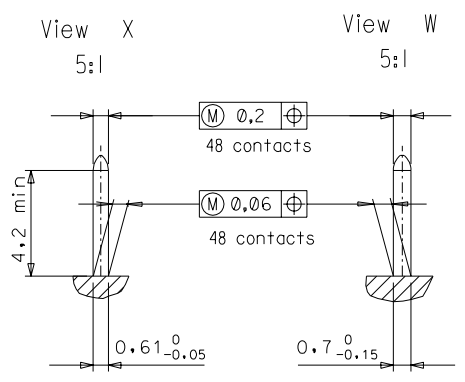
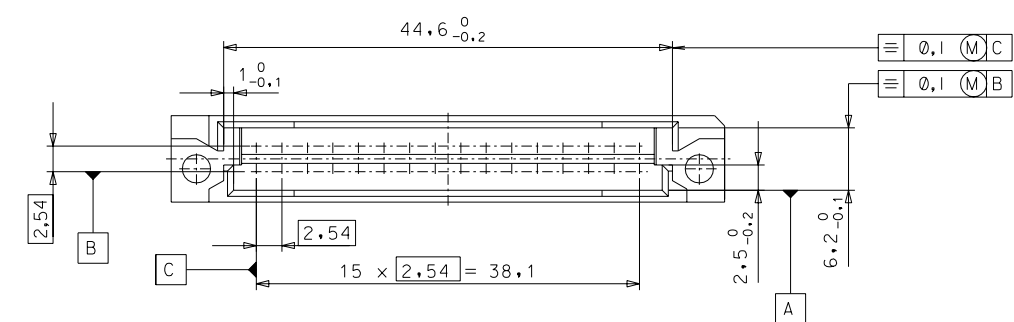
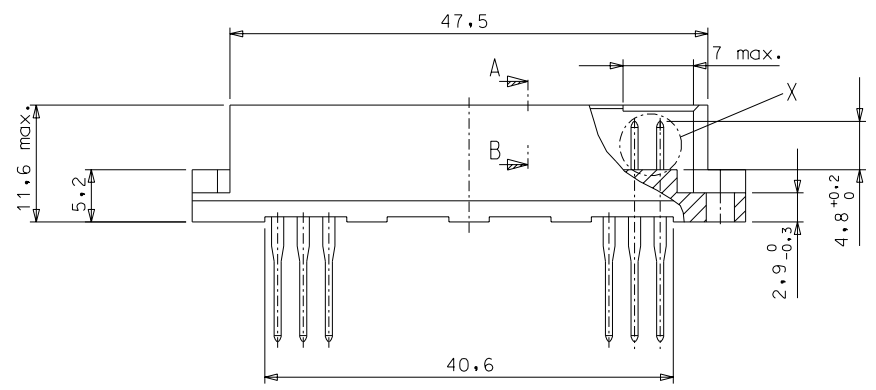
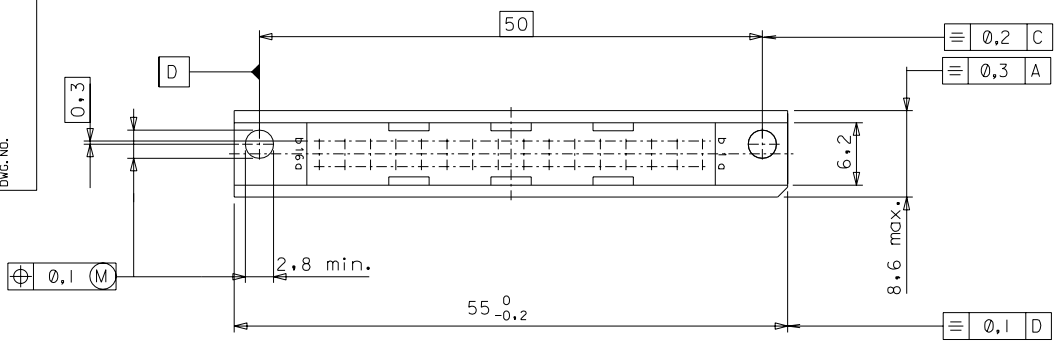


PART NO.  
DWG. NO.



|   |   |  |      |
|---|---|--|------|
| FIRST ANGLE PROJECTION  |   | REVISE ONLY ON CAD SYSTEM  |      |
| UNLESS OTHERWISE SPECIFIED TOLERANCES: ANGULAR ±2'                                |   | DRWG BY  | SIGN |
| INCH METRIC   |   | CHK'D BY   | SIGN |
| 3 PLACE ±   | ± | APP'D BY   | SIGN |
| 2 PLACE ±   | ± | SCALE  |      |
| 1 PLACE ±   | ± | 2:1  |      |
| DRAFT WHERE APPLICABLE MUST REMAIN WITHIN DIMENSIONS                              |   | DESIGN DIMENSION <input type="checkbox"/> MM <input checked="" type="checkbox"/> IN. |      |
| EQUIVALENT DIMENSION <input type="checkbox"/> MM <input type="checkbox"/> IN.     |   | PART NO. SEE CHART   |      |
| IF TWO DIMENSIONS ARE SHOWN THE UPPER IS THE DESIGN DIMENSION, LOWER IS SECONDARY |   | DWG NO. 612-6043-202   |      |

|   |  |                |   |
|---|--|----------------|---|
| CAD/CAM PROJECT NAME  |  | SH. REV.       |   |
| 61243202 dgn  |  | I              | A |
| THIS DRAWING CONTAINS INFORMATION THAT IS PROPRIETARY TO MOLEX INC. & SHOULD NOT BE USED WITHOUT WRITTEN PERMISSION |  |                |   |
| TITLE   |  |                |   |
| 32 pos. Male connector<br>acc. DIN 41612 style Q/2<br>(C-Pin) / Dimensions  |  |                |   |
| MOLEX EUROPE  |  | SHEET NO. DATE |   |
| PART NO. SEE CHART  |  | 10F3 94/02/07  |   |
| DWG NO. 612-6043-202  |  | SIZE B         |   |