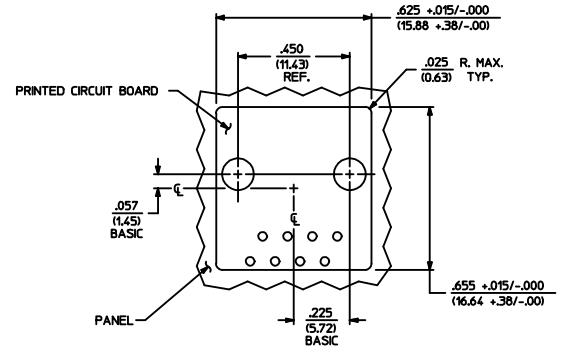
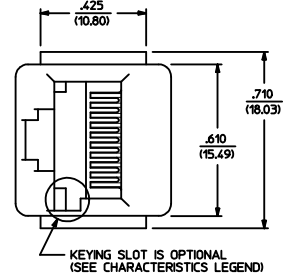


MODULAR JACK CHARACTERISTICS LEGEND	
EXTERNAL CONNECTOR BODY DIMENSIONS: (SEE NOTES 8 AND 9) JACKS ARE AVAILABLE IN STANDARD 4, 6, AND 8 POSITION BODY SIZES	
NUMBER OF CONTACT POSITIONS: CONNECTOR SIZE 4 CAN ACCOMMODATE 2 OR 4 TERMINALS, CONNECTOR SIZE 6 CAN ACCOMMODATE 2, 4, OR 6 TERMINALS, CONNECTOR SIZE 8 CAN ACCOMMODATE 2, 4, 6, 8, OR 10 TERMINALS	
POLARIZATION OPTION: "NO"= JACKS WITHOUT KEYING SLOT "YES"= JACKS WITH KEYING SLOT (AVAILABLE ON CONNECTOR SIZE 8 ONLY)	
MOUNTING EARS OPTION: "YES"= JACKS WITH MOUNTING EARS "NO"= JACKS WITHOUT MOUNTING EARS	

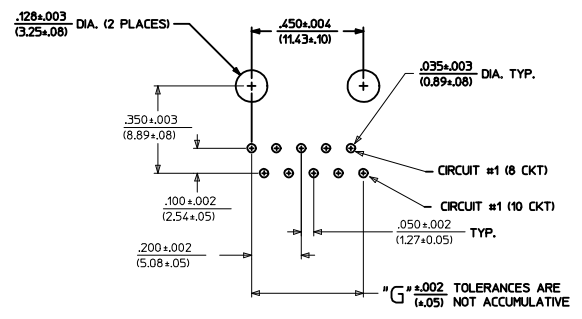
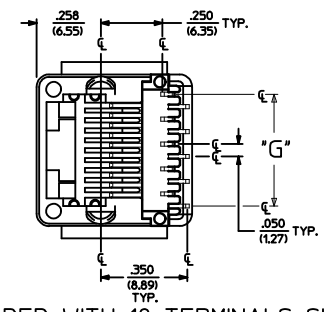
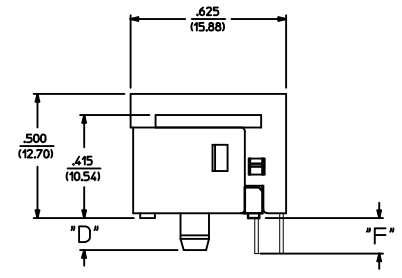
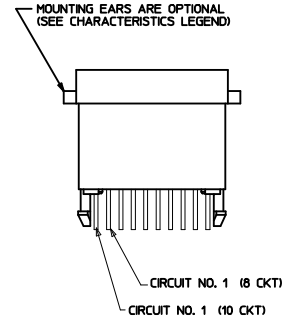
- NOTES:
- 1) MATERIALS: HOUSING- POLYESTER, GLASS FILLED, UL94V-0, COLOR - BLACK
TERMINALS- PHOSPHOR BRONZE ALLOY, .015/(0.38) THICK.
 - 2) TERMINAL PLATING:
SELECT GOLD IN CONTACT AREA: 50 MICRONS MIN.
*SELECT TIN IN PC TAIL AREA: 100 MICRONS MIN.
WITH OVERALL NICKEL UNDERPLATE: 50 MICRONS MIN.
*THE PRIMARY SHIPPING CARTON WILL BE LABELED "COMPLIANT TO ROHS DIRECTIVE 2002/95/EC AND ELV ANNEX II OF DIRECTIVE 2000/53/EC". CARTONS WITHOUT THIS LABEL MAY CONTAIN PRODUCT WITH TIN-LEAD IN THE PC TAIL.
 - 3) THESE MODULAR JACKS MEET THE PERFORMANCE REQUIREMENTS OF MOLEX PRODUCT SPECIFICATION PS-42878.
 - 4) CONNECTORS ARE SHIPPED IN THERMOFORMED TRAYS, PER PACKAGING SPECIFICATION PK-42878-492.
 - 5) ALL JACKS ARE DESIGNED TO BE USED WITH .062/(1.57) OR .125/(3.18) THICK P.C. BOARDS.
 - 6) ALL JACKS CONFORM TO AND ACCEPT PLUGS WHICH CONFORM TO FCC RULES AND REGULATIONS PART 68, SUBPART F.
 - 7) ALL JACKS MUST BE CAPABLE OF FITTING INTO MOLEX GAGE G-42410 (CONNECTOR SIZE 8).
 - 8) SEE SHEETS 1 & 4 FOR CONNECTOR SIZE 4.
 - 9) SEE SHEETS 2 & 4 FOR CONNECTOR SIZE 6.
 - 10) ENGRAVED NUMBERS ON HOUSING BODY ARE FOR MOLDING IDENTIFICATION ONLY, THEY ARE NOT INTENDED FOR ASSEMBLY IDENTIFICATION PURPOSES.
 - 11) THIS PART CONFORMS TO CLASS B REQUIREMENTS OF COSMETIC SPECIFICATION PS-45499-002 WITH THE EXCEPTION OF THE SINK WHICH CONFORMS TO CLASS C REQUIREMENTS.

P.C. BOARD THICKNESS	DIM. "D" (MTG. PEGS)	DIM. "F" (P.C. TAILS)
.062/(1.57)	.128 (3.25)	.120 +.015/-0.025 (3.05 +.38/- .63)
.125/(3.18)	.191 (4.85)	.205 +.015/-0.025 (5.21 +.38/- .63)

CONNECTOR SIZE	CIRCUIT SIZE	DIM. "G"
8	10	.450 (11.43)
8	8	.350 (8.89)
8	6	.250 (6.35)
8	4	.150 (3.81)
8	2	.050 (1.27)



PANEL CUT-OUT FOR CONNECTOR SIZE 8



P.C. BOARD LAYOUT FOR CONNECTOR SIZE 8
10 CIRCUIT SHOWN

SIZE 8 MODULAR JACK LOADED WITH 10 TERMINALS SHOWN ABOVE

ADD COSMETIC SPEC EC NO. UCP2009-1267 H2	DRAWN: JKL/STENLER 2008/12/01 CHKD: BEL 2008/12/02 APPR: FSW/TH 2008/12/02	QUALITY SYMBOLS =0 =0	GENERAL TOLERANCES (UNLESS SPECIFIED)		DIMENSION STYLE		SCALE	DESIGN UNITS	THIRD ANGLE PROJECTION	TITLE ASSEMBLY, VERTICAL LOW PROFILE MODULAR JACKS (CONNECTOR SIZE 8)	MOLEX INCORPORATED	SHEET NO. 3 OF 5
			mm	INCH	IN/MM	1:1	INCH					
DRAWN WHERE APPLICABLE MUST REMAIN WITHIN DIMENSIONS			4 PLACES ± --- ± ---	BAP	DATE	1992/04/09						
			3 PLACES ± --- ± .010	BAP	DATE	1992/04/09						
			2 PLACES ± 0.25 ± ---	BAP	DATE	1992/04/09						
			1 PLACE ± --- ± ---	BAP	DATE	1992/04/09						
			ANGULAR ±1/2°	RAS	DATE	1992/04/09						
			DRAFT WHERE APPLICABLE MUST REMAIN WITHIN DIMENSIONS	SEE SHEET 5								
			MATERIAL NO.		DOCUMENT NO.							
			SDA-42878-****		SDA-42878-****							
			THIS DRAWING CONTAINS INFORMATION THAT IS PROPRIETARY TO MOLEX INCORPORATED AND SHOULD NOT BE USED WITHOUT WRITTEN PERMISSION									

M	PART CHARACTERISTICS						M
	ASSEMBLY ITEM NUMBER	EXTERNAL CONNECTOR SIZE	NUMBER OF POSITIONS	P. C. BOARD THICKNESS	POLARIZATION OPTION	MOUNTING EARS OPTION	
L	42878-8408	8 POS. BODY	8	.062	NO	YES	
	42878-8410	↑	↑	↑	NO	NO	
	42878-8456	↑	↑	↓	YES	YES	
	42878-8458	↑	↑	.062	YES	NO	
	42878-8504	↑	↑	.125	NO	YES	
	42878-8506	↑	↑	↑	NO	NO	
	42878-8552	↑	↑	↑	YES	YES	
K	42878-8554	8	.125	YES	NO		
	42878-8696	6	.062	NO	YES		
	42878-8698	↑	↑	NO	NO		
	42878-8744	↑	↑	YES	YES		
	42878-8746	↑	.062	YES	NO		
J	42878-8792	↑	.125	NO	YES		
	42878-8794	↑	↑	NO	NO		
	42878-8840	↑	↑	YES	YES		
	42878-8842	8 POS. BODY	6	.125	YES	NO	

M	PART CHARACTERISTICS						M
	ASSEMBLY ITEM NUMBER	EXTERNAL CONNECTOR SIZE	NUMBER OF POSITIONS	BOARD THICKNESS/P.C. TAIL OPTION	POLARIZATION OPTION	MOUNTING EARS OPTION	
L	42878-8984	8 POS. BODY	4	.062	NO	YES	
	42878-8986	↑	↑	↑	NO	NO	
	42878-9032	↑	↑	↓	YES	YES	
	42878-9034	↑	↑	.062	YES	NO	
	42878-9080	↑	↑	.125	NO	YES	
	42878-9082	↑	↑	↑	NO	NO	
	42878-9128	↑	↓	↓	YES	YES	
	42878-9130	↑	4	.125	YES	NO	
	42878-9272	↑	2	.062	NO	YES	
	42878-9274	↑	↑	↑	NO	NO	
	42878-9320	↑	↑	↓	YES	YES	
	42878-9322	↑	↑	.062	YES	NO	
	42878-9368	↑	↑	.125	NO	YES	
	42878-9370	↑	↑	↑	NO	NO	
	42878-9416	↑	↑	↓	YES	YES	
	42878-9418	8 POS. BODY	2	.125	YES	NO	

M	PART CHARACTERISTICS						M
	ASSEMBLY ITEM NUMBER	EXTERNAL CONNECTOR SIZE	NUMBER OF POSITIONS	BOARD THICKNESS/P.C. TAIL OPTION	POLARIZATION OPTION	MOUNTING EARS OPTION	
L	42878-1001	8 POS. BODY	10	.062	NO	YES	
	42878-1003	↑	↑	.062	NO	NO	
	42878-1025	↑	↑	.125	NO	YES	
	42878-1027	↑	↑	↑	NO	NO	
	42878-1037	↑	↓	↓	YES	YES	
	42878-1039	8 POS. BODY	10	.125	YES	NO	

CHARACTERISTICS LEGEND	
EXTERNAL CONNECTOR BODY DIMENSIONS: AVAILABLE IN 4, 6, AND 8 POSITION BODY	
NUMBER OF CONTACT POSITIONS: CONNECTOR SIZE 4 ACCOMMODATES 2, OR 4 TERMINALS, CONNECTOR SIZE 6 ACCOMMODATES 2, 4, OR 6 TERMINALS, CONNECTOR SIZE 8 ACCOMMODATES 2, 4, 6, 8, OR 10 TERMINALS	
POLARIZATION OPTION: (AVAILABLE ON CONNECTOR SIZE 8 ONLY) "NO" - WITHOUT KEYING SLOT "YES" - WITH KEYING SLOT	
MOUNTING EARS OPTION: "YES" - PART WITH MOUNTING EARS "NO" - PART WITHOUT MOUNTING EARS	
(SEE SHEET 3 FOR PART DESCRIPTIONS AND DIMENSIONS)	

SEE SHEET ONE EC NO: UCP2004-667 DRWNL: SCHMIDT 2004/03/03 CHKCD: SCHMIDT 2004/03/03 APPR: ESMITH 2004/03/03	QUALITY SYMBOLS	GENERAL TOLERANCES (UNLESS SPECIFIED)	SCALE	DESIGN UNITS	THIRD ANGLE PROJECTION	REVISE ON CAD ONLY
	▽ 0	mm INCH	---	INCH	ASSEMBLY, VERTICAL LOW PROFILE MODULAR JACKS (CONNECTOR SIZE 8)	
	▽ 0	4 PLACES ± --- ± --- 3 PLACES ± --- ± --- 2 PLACES ± --- ± --- 1 PLACE ± --- ± ---	IN/MM	DRAWN BY DATE BAP 1992/04/09	MATERIAL NO. DOCUMENT NO. SHEET NO. MOLEX MOLEX INCORPORATED SEE CHART SDA-42878-**** 5 OF 5	
		ANGULAR ±1/2° DRAFT WHERE APPLICABLE MUST REMAIN WITHIN DIMENSIONS		CHECKED BY DATE BAP 1992/04/09	THIS DRAWING CONTAINS INFORMATION THAT IS PROPRIETARY TO MOLEX INCORPORATED AND SHOULD NOT BE USED WITHOUT WRITTEN PERMISSION	