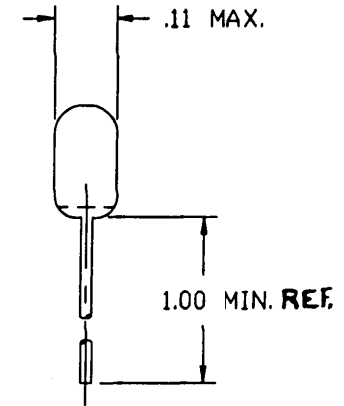
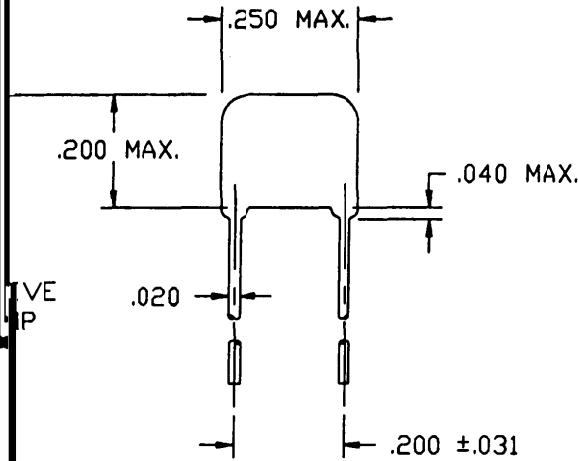
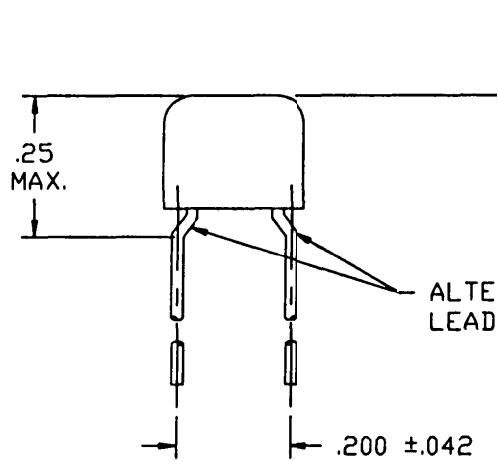


VICOR CONFIDENTIAL

THIS DOCUMENT AND THE DATA DISCLOSED
HEREIN OR HEREWITH IS NOT TO BE REPRODUCED,
USED, OR DISCLOSED IN WHOLE OR IN PART
TO ANYONE WITHOUT PERMISSION OF VICOR CORP.

REV.	DESCRIPTION	DATE	APPROVED
1	RELEASED PER ECO #2210	J.W. 9/27/90	BJR
2	REVISED PER E920556	J.W. 10/23/92	JFH



ELECTRICAL SPECIFICATIONS

CAPACITANCE 1KHz, 1VAC	_____
CAPACITANCE TOLERANCE	_____
VOLTAGE	_____
CAPACITOR TYPE	_____
DISSIPATION FACTOR — 2.5% MAX AT 1KH:	_____
INSULATION RESISTANCE	_____ 10 M
DIELECTRIC WITHOLDING VOLTAGE	250% RATED V FOR 5 SEC WIT MAX CHARGING

.01F
 .2%
 50V
 X7R
 AC
 MS
 GE
 MA
 ENT

COPY

ORIGINAL
ONLY WHEN STAMPED
IN RED

UNLESS OTHERWISE SPECIFIED DIMENSIONS ARE IN INCHES TOLERANCES ARE:		APPROVALS		DATE	VICOR			
FRACTIONS	DECIMALS	ANGLES	DRAWN	6/90	CAPACITOR, X7R .01uF ±20%, 500V			
± 1/64	.XX ± .01	± 10	CHECKED					
	.XXX ± .005		ISSUED					
THRD ANGLE PROJECTION			APP'D		SIZE	FSCM NO.	DWG. NO.	REV.
					B	67131	04872	2
DC NOT SCALE DRAWING					SCALE 4X		SHEET 1 OF 1	