

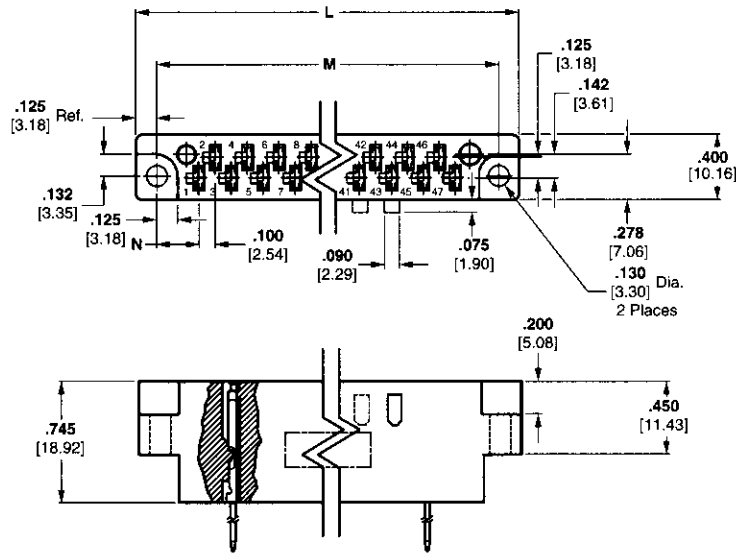
Pre-loaded Assemblies for Crimp Contacts, TERMI-POINT Clip or Wrap-Type Post Contacts, Solder/Weld Contacts

Materials:

Housing — Diallyl phthalate glass-filled polyester, green

Contact — Phosphor bronze

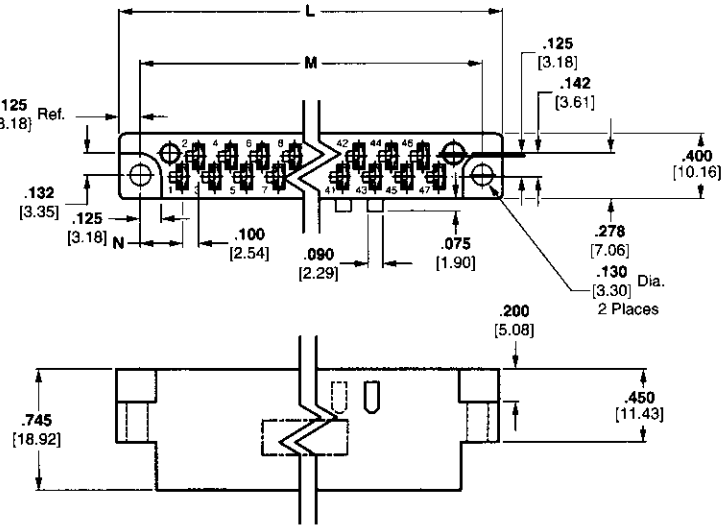
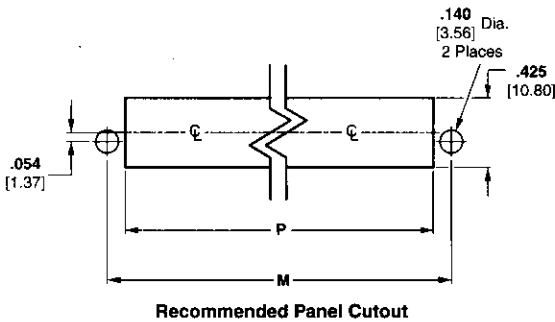
Posts — Brass, tin plated



Receptacle Housing

Material:

Diallyl phthalate



Printed Circuit Board Connectors

Diallyl Phthalate

No. of Pos.	Post in.	Length mm	No. of Clip or Wrap Type Terminations	Dimensions				Cutout Dim. for Mounting P	Preloaded Housing Part No. .031 x .062 [0.79 x 1.57] Post Gold Plate Thickness .000030 [0.00076]	Housings for Crimp or Eyelet Type Contact		
				L	M	N	Commercial Type Part No.			Military Type CR-Receptacle		
										Military Part No.	Part No.	
17	.370	9.40	1	2.390 60.71	2.130 54.10	.265 6.73	1.910 48.51	582828-4	3-582151-1	21097/13-01	5-582151-1	
23	.770	19.65	3	2.990 75.95	2.730 69.34	.265 6.73	2.510 63.75	—	3-582151-2	21097/13-02	5-582151-2	
29	1.000	25.40	4	3.590 91.19	3.330 84.58	.265 6.73	3.110 78.99	582830-1	3-582151-3	21097/13-03	5-582151-3	
		.770	19.65					3				582830-2
35	1.000	25.40	4	4.190 106.43	3.930 99.82	.265 6.73	3.710 94.23	582831-1	3-582151-4	21097/13-04	5-582151-4	
		.770	19.65					3				—
		.600	15.24					2				582831-4
41	.770	19.65	3	4.790 121.67	4.530 115.06	.265 6.73	4.310 109.47	—	3-582151-5	21097/13-05	5-582151-5	
		.600	15.24					2				582832-4
		.370	9.40					1				—
47	1.000	25.40	4	5.623 142.82	5.363 136.22	.381 9.68	5.143 130.63	582819-1	3-582307-1	21097/13-06	5-582307-1	
		.770	19.65					3				582819-2
		.600	15.24					2				—
	.370	9.40	1	—	—	—	—	—	—	—	—	