

MATERIALS AND FINISHES

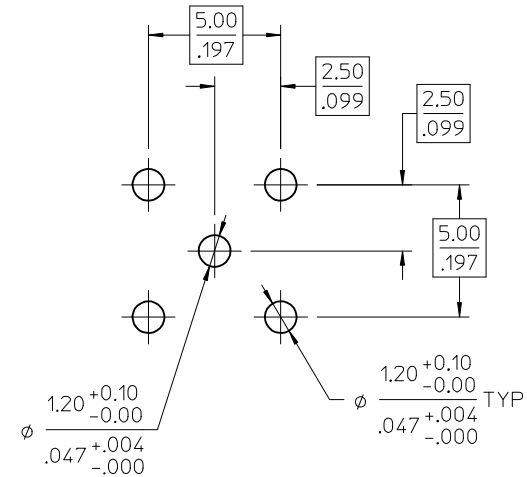
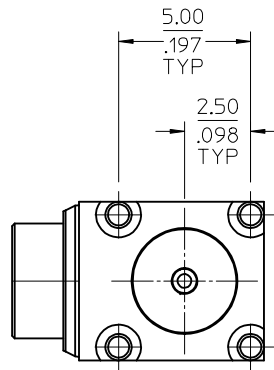
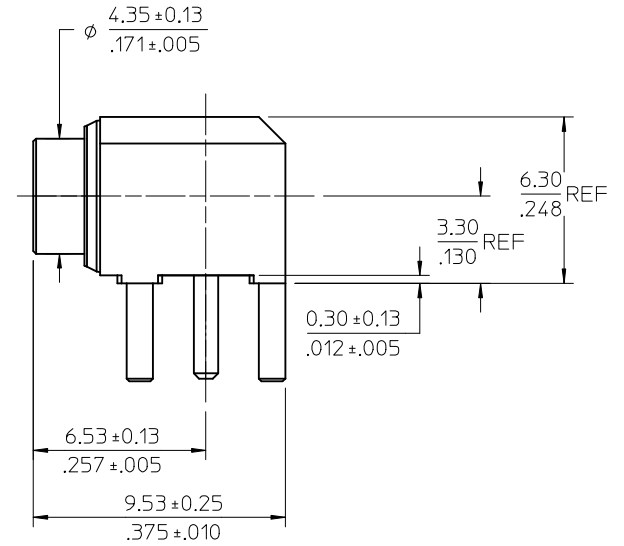
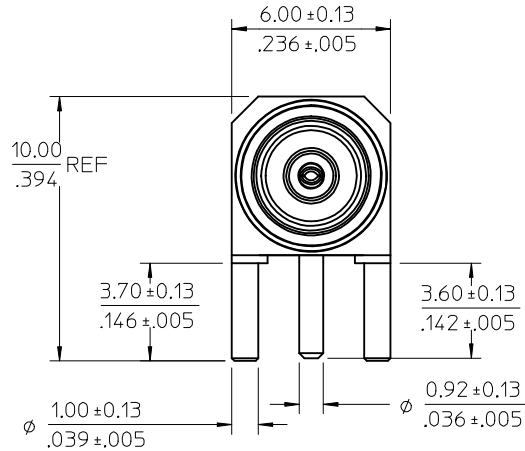
(73366-0030/73366-0031)
FRONT BODY BRASS
PLATED NICKEL

(73366-0032)
FRONT BODY BRASS
PLATED GOLD

CENTER CONTACT BERYLLIUM COPPER
PLATED GOLD

INSULATOR TEFLON

HOUSING ZINC ALLOY
PLATED TIN



RECOMMENDED MOUNTING PATTERN

73366-0036	73366-0032 PACKED BY TRAY (54CAV.)
73366-0035	73366-0030 PACKED ONE PER BAG
73366-0034	73366-0031 SMALL TRAY
73366-0033	73366-0030 SMALL TRAY
73366-0032	TAPE & REEL
73366-0031	GENERAL
73366-0030	GENERAL
PART NO.	PACKAGING DESCRIPTION

PS-89675-1830	PRODUCT SPECIFICATION
SPECIFICATION	DESCRIPTION

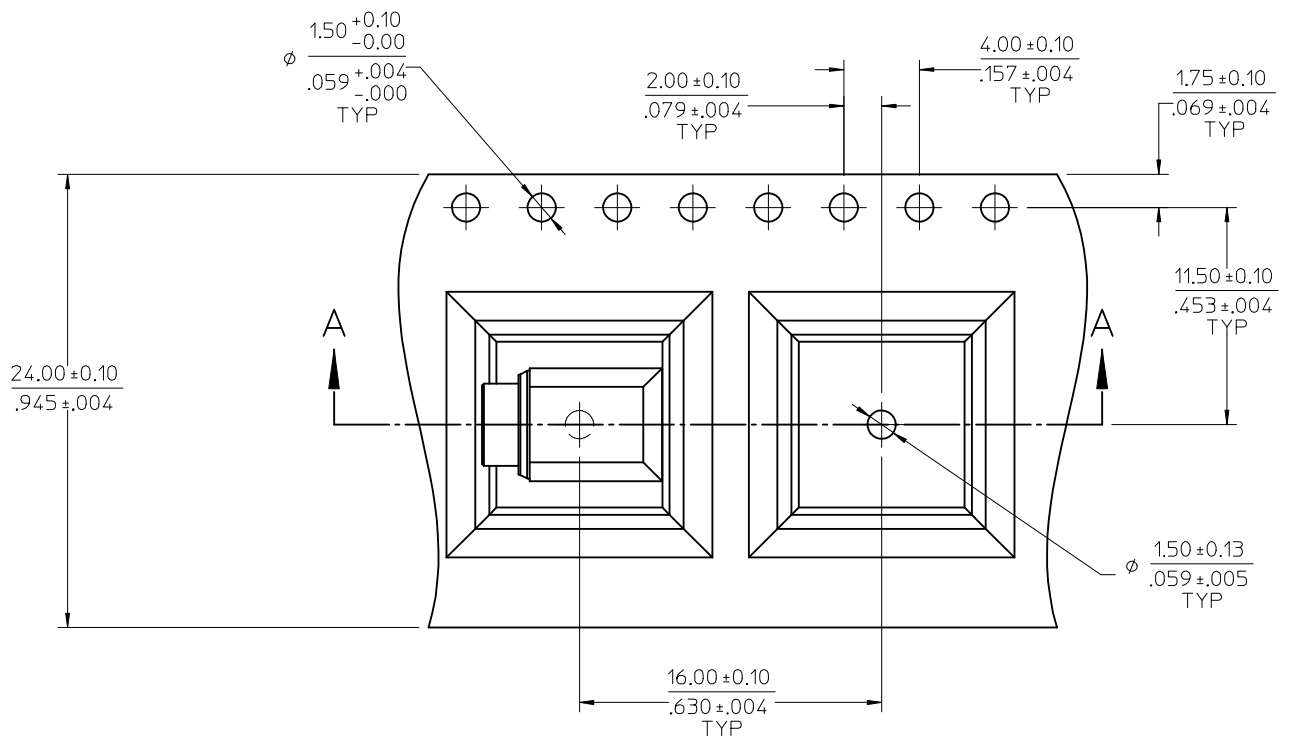
CHG: ADD -0036
PER PDR14051612
EC NO: URF2014-0664
DRWN:ELIN 2014/05/21
CHKD:
APPR:MHUANG 2014/06/05
REV: C7

QUALITY SYMBOLS
▽=0
▽=0

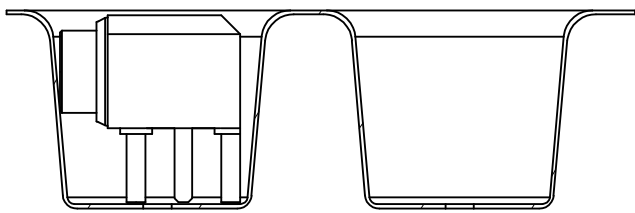
GENERAL TOLERANCES (UNLESS SPECIFIED)
4 PLACES ± --- ± ---
3 PLACES ± --- ± ---
2 PLACES ± --- ± ---
1 PLACE ± --- ± ---
ANGULAR ± 2 °
DRAFT WHERE APPLICABLE MUST REMAIN WITHIN DIMENSIONS

DIMENSION STYLE MM/IN
DRAWN BY LYNN DATE 2000/02/10
CHECKED BY PENNY DATE 2000/02/10
APPROVED BY MI SEN DATE 2000/02/10
MATERIAL NO. SEE NOTES
SIZE C

SCALE DESIGN UNITS METRIC
THIRD ANGLE PROJECTION
TITLE MCX JACK R/A PCB 50 OHM MCX-J/RA/PCB
MOLEX MOLEX INCORPORATED
DOCUMENT NO. SD-73366-003 SHEET NO. 1 OF 3
THIS DRAWING CONTAINS INFORMATION THAT IS PROPRIETARY TO MOLEX INCORPORATED AND SHOULD NOT BE USED WITHOUT WRITTEN PERMISSION



NOTE:
1. 10 PITCHES CUMULATIVE TOLERANCE ±0.20(.008)

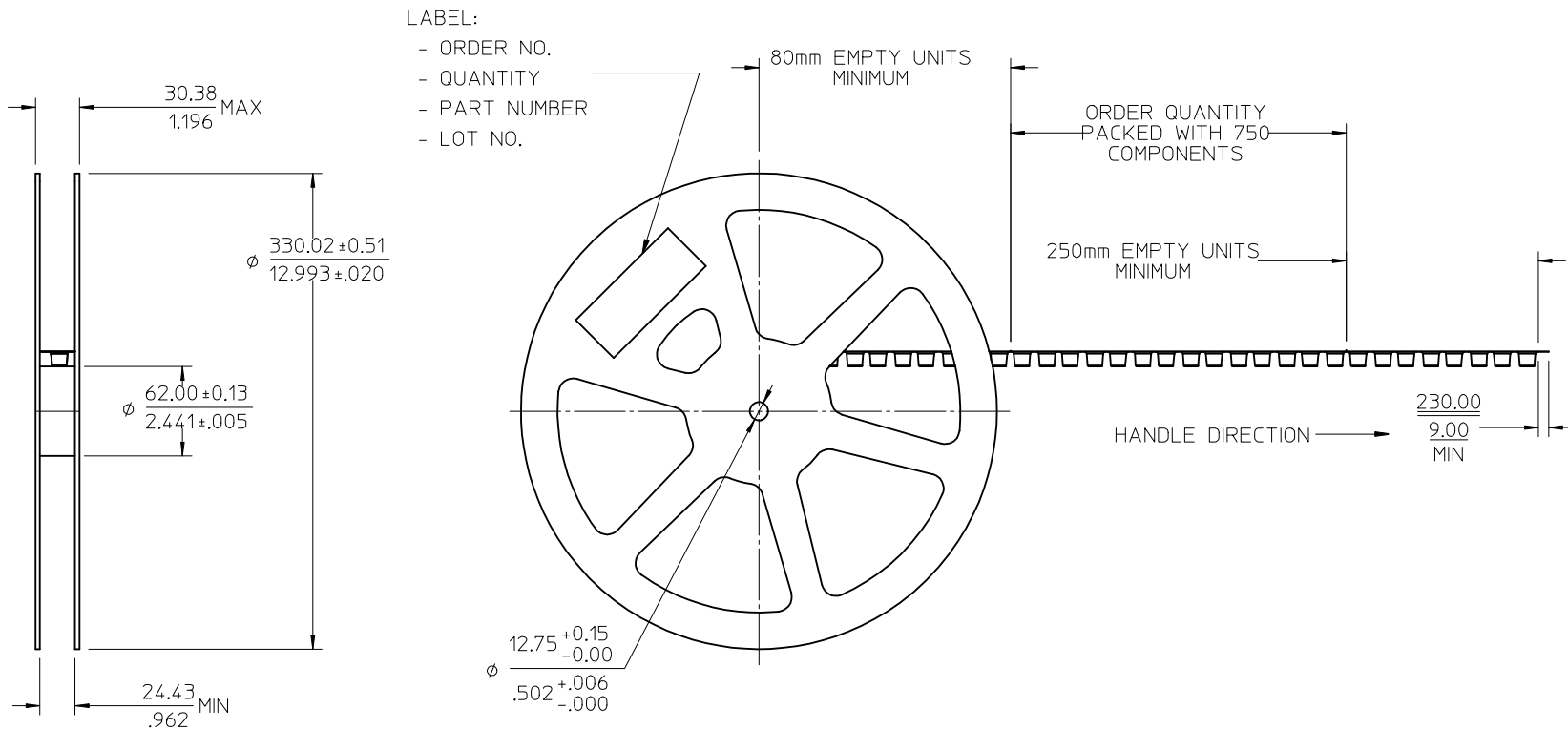


SECTION A-A

CHG: SEE SHEET 1 EEC NO: URF2014-0664 DRWNLIN 2014/05/21 CHKD: APPR: MHUANG 2014/06/05 REV: C7	QUALITY SYMBOLS ▽=0 ▽=0	GENERAL TOLERANCES (UNLESS SPECIFIED) <table border="1"> <thead> <tr> <th></th> <th>mm</th> <th>INCH</th> </tr> </thead> <tbody> <tr> <td>4 PLACES</td> <td>± .10</td> <td>± .004</td> </tr> <tr> <td>3 PLACES</td> <td>± .15</td> <td>± .006</td> </tr> <tr> <td>2 PLACES</td> <td>± .20</td> <td>± .008</td> </tr> <tr> <td>1 PLACE</td> <td>± .30</td> <td>± .012</td> </tr> </tbody> </table> ANGULAR ± 2°		mm	INCH	4 PLACES	± .10	± .004	3 PLACES	± .15	± .006	2 PLACES	± .20	± .008	1 PLACE	± .30	± .012	DIMENSION STYLE MM/IN	SCALE METRIC	DESIGN UNITS METRIC	THIRD ANGLE PROJECTION
		mm	INCH																		
	4 PLACES	± .10	± .004																		
	3 PLACES	± .15	± .006																		
2 PLACES	± .20	± .008																			
1 PLACE	± .30	± .012																			
DRAWN BY LYNN	DATE 2000/02/10	TITLE MCX JACK R/A PCB 50 OHM MCX-J/RA/PCB																			
CHECKED BY PENNY	DATE 2000/02/10	APPROVED BY MISEN		DATE 2000/02/10																	
MATERIAL NO. SEE SHEET 1		DOCUMENT NO. SD-73366-003		SHEET NO. 2 OF 3																	

DRAFT WHERE APPLICABLE MUST REMAIN WITHIN DIMENSIONS

THIS DRAWING CONTAINS INFORMATION THAT IS PROPRIETARY TO MOLEX INCORPORATED AND SHOULD NOT BE USED WITHOUT WRITTEN PERMISSION



CHG: SEE SHEET 1 EC NO: URF2014-0664 2014/05/21 DRW: INELIN CHKD: APPR: HUANG 2014/06/05	QUALITY SYMBOLS ▽=0 ▽=0	GENERAL TOLERANCES (UNLESS SPECIFIED)		DIMENSION STYLE	SCALE	DESIGN UNITS	THIRD ANGLE PROJECTION	
				MM/IN		METRIC		
				DRAWN BY	DATE	TITLE		
				CHECKED BY	DATE	MCX JACK R/A PCB 50 OHM MCX-J/RA/PCB		
		ANGULAR ± 2 °		APPROVED BY	DATE	MOLEX INCORPORATED		
		DRAFT WHERE APPLICABLE MUST REMAIN WITHIN DIMENSIONS		MATERIAL NO.	DOCUMENT NO.	SHEET NO.		
				SEE SHEET 1	SD-73366-003	3 OF 3		
		THIS DRAWING CONTAINS INFORMATION THAT IS PROPRIETARY TO MOLEX INCORPORATED AND SHOULD NOT BE USED WITHOUT WRITTEN PERMISSION						