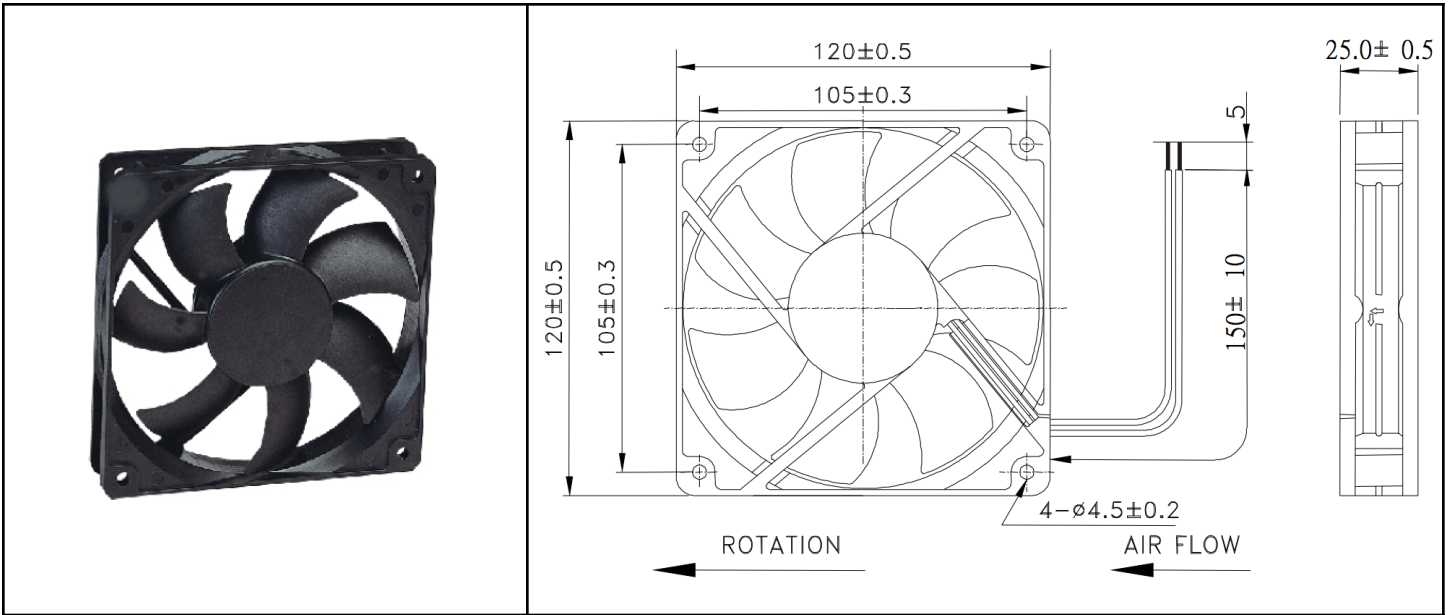


OD1225 Series



DC Fan - 12V, 24V
120x25mm (4.7"x 1.0")



Frame & Impeller	PBT, UL94V-O plastic	Available Options Tachometer, Alarm, Thermal control IP55 Water Resistance 48V	
Connection	2x Lead wires 24AWG		
Motor	Brushless DC, auto restart, IC protected		
Bearing System	Dual ball bearing		
Insulation Resistance	10M ohm between leadwire and frame (500VDC)		
Dielectric Strength	1 second at 500 VAC, max leakage - 500 MicroAmp		
Temperature Range	-10C ~ +70C		
Life (L10)	65,000 hours (45C)		

Model Number	Speed (RPM)	Airflow (CFM)	Noise (dB)	Volts DC	Input Power (Watts)	Amps (max)	Max. Static Pressure (\"H2O)
OD1225-12HB	2200	89	39	12	5	0.37	0.14
OD1225-12MB	2050	83	38	12	4	0.33	0.12
OD1225-12LB	1800	72	34	12	3	0.24	0.10
OD1225-24HB	2200	89	39	24	5	0.19	0.14
OD1225-24MB	2050	83	38	24	4	0.17	0.12
OD1225-24LB	1800	72	34	24	3	0.14	0.10

Mouser Electronics

Authorized Distributor

Click to View Pricing, Inventory, Delivery & Lifecycle Information:

Orion Fans:

[OD1225PT-12MWB](#) [OD1225-12MS](#) [OD1225-12MTB](#) [OD1225-24HS](#) [OD1225-24MS](#) [OD1225-24MTB](#) [OD1225-48HTB](#) [OD1225-48MTB](#) [OD1225PT-12LB](#)