

*Halogen Free*

# **SATA-Disk Module II**

*22P/90D-M Specification*

**January 25, 2010**

*Version 1.1*



**Apacer Technology Inc.**

4<sup>th</sup> Fl., 75 Xintai 5<sup>th</sup> Rd., Sec.1, Hsichih, Taipei Hsien 221, Taiwan

Tel: +886-2-2698-2888 Fax: +886-2-2698-2889

[www.apacer.com](http://www.apacer.com)

## Features:

- **Standard Serial ATA 2.5 (Gen. 2)**
  - Serial ATA 2.5 (Gen. 2)
  - SATA II , 3.0 Gbps
  - ATA-compatible command set
- **Capacities**
  - Standard: 4, 8, 16, 32, and 64 GB
  - High Speed: 4, 8, 16, and 32 GB
- **Performance**
  - Burst read/write: 300 MB/sec
  - Sustained read: up to 95 MB/sec
  - Sustained write: up to 50 MB/sec
- **Intelligent endurance design**
  - Built-in hardware BCH ECC, correcting 8-bit or 15-bit error per 512-byte data sector
  - Global wear-leveling scheme together with dynamical block allocation to significantly increase the lifetime of a flash device and optimize the disk performance
  - Flash bad-block management
  - S.M.A.R.T. technology
- **NAND Flash Type: MLC**
- **Data integrity under power-cycling**
  - No battery required for data storage
- **Temperature**
  - Operating: 0°C to 70°C
  - Storage: -40°C to 100°C
- **Supply voltage**
  - 5.0 V  $\pm$  5%
- **Low power consumption**
  - Active mode: 260 mA
  - Idle mode: 130 mA
- **Connector type**
  - 7-pin signal connector
  - 15-pin power connector
- **Halogen Free**

---

## Table of Contents

<b>1. Product Description</b> .....	<b>3</b>
1.1 Introduction .....	3
1.2 Functional Block Diagram .....	3
1.3 ATA Mode Support.....	4
1.4 Capacity Specification .....	4
1.5 Performances .....	4
1.6 Pin Assignments .....	5
<b>2. Software Interface</b> .....	<b>6</b>
2.1 Command Set.....	6
<b>3. Flash Management</b> .....	<b>8</b>
3.1 Error Correction/Detection .....	8
3.2 Bad Block Management.....	8
3.3 Wear Leveling.....	8
3.4 Power Failure Management .....	8
3.5 Quick Erase .....	8
3.6 S.M.A.R.T. Technology.....	9
<b>4. Environmental Specifications</b> .....	<b>10</b>
4.1 Environments .....	10
<b>5. Electrical Specification</b> .....	<b>11</b>
<b>6. Physical Characteristics</b> .....	<b>12</b>
6.1 Dimension .....	12
<b>7. Product Ordering Information</b> .....	<b>12</b>
<b>7. Product Ordering Information</b> .....	<b>13</b>
7.1 Product Code Designations.....	13
7.2 Valid Combinations.....	14

# 1. Product Description

## 1.1 Introduction

Apacer's SATA Disk Module (SDM) is a solid-state disk (SSD) drive that contains a controller, embedded firmware, and flash media along with a male connector. Using NAND flash memory devices, the SDM drive interfaces with the host allowing data to be seamlessly transferred between the host and the flash devices.

The SDM drive is designed with a single-chip controller, offering capacities of up to eight gigabytes and providing full support for the SATA II high-speed interface standard. It can operate at sustained access rates of up to thirty five megabytes per second, which is much faster than any other competitor in the market.

In addition to buffer management through dynamical allocation, the SDM adopts the static wear-leveling scheme to allow uniform use of all storage blocks, ensuring that the lifetime of a flash media can be significantly increased and the disk performance is optimized as well. The SDM provides the S.M.A.R.T. feature complies with the SATA Rev. 2.6, ATA/ATAPI-7 specifications and uses the standard SMART command B0h to read data from the drive. This feature protects the user from unscheduled downtime by monitoring and storing critical drive performance.

## 1.2 Functional Block Diagram

The SDM drive includes a single-chip SATA II controller and the flash media, as well as the SATA standard interface. The controller integrates the flash management unit with the controller itself to support multi-channel, multi-bank flash arrays. Figure 1-1 shows the functional block diagram.

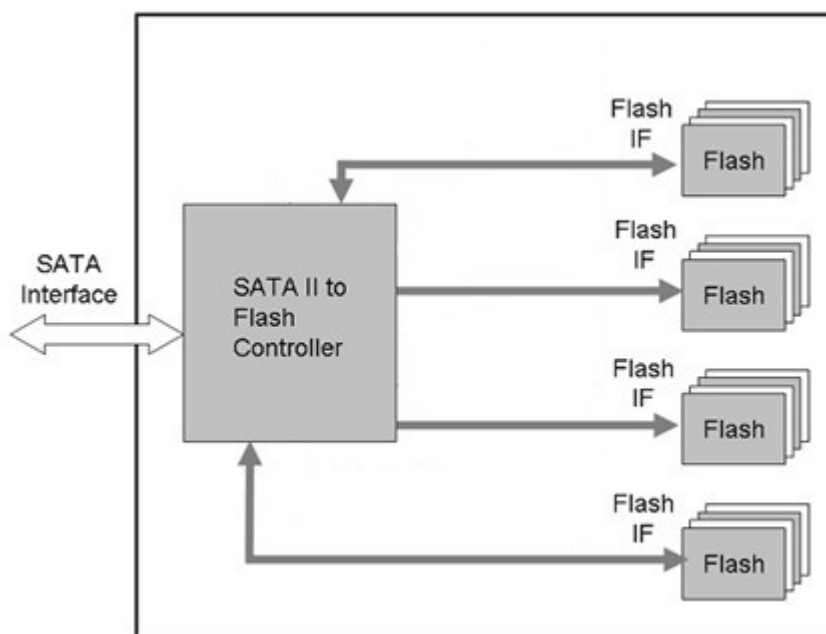


Figure 1-1 Apacer SDM block diagram

### 1.3 ATA Mode Support

The SDM provides ATA mode support as follows:

- Up to PIO mode-4
- Up to Multiword DMA mode-2
- Up to UDMA mode-5

### 1.4 Capacity Specification

Capacity specification of the SDM product family is available as shown in Table 1-1. It lists the specific capacity, the default numbers of logical cylinders and heads, and the number of logical sectors per track for each product line.

**Table 1-1** Capacity specification

Capacity	Total Bytes	Cylinders	Heads	Sectors	Max LBA
4 GB	4,021,936,128	7793	16	63	7,855,344
8 GB	8,061,419,520	15620	16	63	15,744,960
16 GB	16,139,681,792	16383	16	63	31,522,816 <sup>1</sup>
32 GB	32,296,140,800	16383	16	63	63,078,400 <sup>1</sup>
64 GB	64,609,058,816	16383	16	63	126,189,568 <sup>1</sup>

<sup>1</sup> Cylinders, heads or sectors are not applicable for these capacities. Only LBA addressing applies.

### 1.5 Performances

Performances of the SDM are shown in Table 1-2 and Table 1-3.

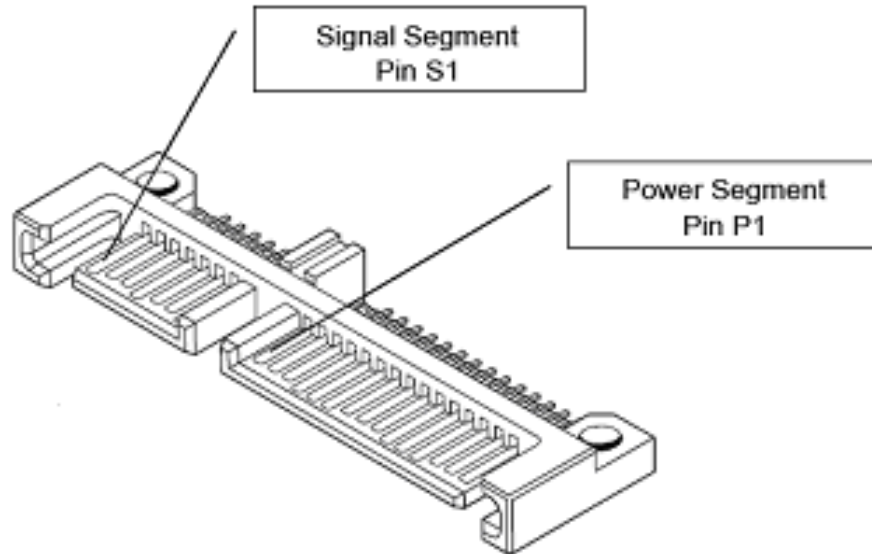
**Table 1-2** Standard Models Performance specification

Capacity Performance	4GB	8GB	16GB	32GB	64GB
Sustained Read (MB/s)	44	45	46	46	94
Sustained Write (MB/s)	14	12	25	27	50

**Table 1-3** High Speed Models Performance specification

Capacity Performance	4GB	8GB	16GB	32GB
Sustained Read (MB/s)	75	94	94	93
Sustained Write (MB/s)	17	25	25	51

## 1.6 Pin Assignments



**Table 1-4:** Signal segment

Name	Type	Description
S1	GND	
S2	RxP	+ Differential Receive Signal
S3	RxN	- Differential Receive Signal
S4	GND	
S5	TxN	- Differential Transmit Signal
S6	TxP	+ Differential Transmit Signal
S7	GND	

**Table 1-5:** Power segment

Pin	Signal/Description
P1	Not used (3.3V)
P2	Not used (3.3V)
P3	Not used (3.3V)
P4	Ground
P5	Ground
P6	Ground
P7	5V
P8	5V
P9	5V
P10	Ground
P11	Ground
P12	Ground
P13	Not used (12V)
P14	Not used (12V)
P15	Not used (12V)

## 2. Software Interface

### 2.1 Command Set

Table 2-1 summarizes the ATA commands supported by SDM.

Table 2-1: Command set (1 of 2)

Command	Code	FR <sup>1</sup>	SC <sup>2</sup>	SN <sup>3</sup>	CY <sup>4</sup>	DH <sup>5</sup>	LBA <sup>6</sup>
Check-Power-Mode	E5H	-	-	-	-	D <sup>8</sup>	-
Execute-Drive-Diagnostic	90H	-	-	-	-	D	-
Flush-Cache	E7H	-	-	-	-	D	-
Identify-Drive	ECH	-	-	-	-	D	-
Idle	E3H	-	Y	-	-	D	-
Idle-Immediate	E1H	-	-	-	-	D	-
Initialize-Drive-Parameters	91H	-	Y	-	-	Y	-
Read-DMA	C8H or C9H	-	Y	Y	Y	Y	Y
Read-Multiple	C4H	-	Y	Y	Y	Y	Y
Read-Sector(s)	20H or 21H	-	Y	Y	Y	Y	Y
Read-Verify-Sector(s)	40H or 41H	-	Y	Y	Y	Y	Y
Recalibrate	10H	-	-	-	-	D	-
Security-Disable-Password	F6H	-	-	-	-	D	-
Security-Erase-Prepare	F3H	-	-	-	-	D	-
Security-Erase-Unit	F4H	-	-	-	-	D	-
Security-Freeze-Lock	F5H	-	-	-	-	D	-
Security-Set-Password	F1H	-	-	-	-	D	-
Security-Unlock	F2H	-	-	-	-	D	-
Seek	7XH	-	-	-	Y	Y	-
Set-Features	EFH	Y <sup>7</sup>	-	-	-	D	-

**Table 2-1: Command set (2 of 2)**

Command	Code	FR <sup>1</sup>	SC <sup>2</sup>	SN <sup>3</sup>	CY <sup>4</sup>	DH <sup>5</sup>	LBA <sup>6</sup>
Set-Multiple-Mode	C6H	-	Y	-	-	D	-
Sleep	E6H	-	-	-	-	D	-
SMART	B0H	Y	Y	Y	Y	D	
Standby	E2H	-	-	-	-	D	-
Standby-Immediate	E0H	-	-	-	-	D	-
Write-DMA	CAH	-	Y	Y	Y	Y	Y
Write-Multiple	C5H	-	Y	Y	Y	Y	Y
Write-Sector(s)	30H	-	Y	Y	Y	Y	Y

1. FR - Features register
2. SC - Sector Count register
3. SN - Sector Number register
4. CY - Cylinder registers
5. DH - Drive/Head register
6. LBA - Logical Block Address mode supported (see command descriptions for use)
7. Y - The register contains a valid parameter for this command.
8. For the Drive/Head register:  
 Y means both the SDM and Head parameters are used  
 D means only the SDM parameter is valid and not the Head parameter



---

## 3. Flash Management

### 3.1 Error Correction/Detection

---

The SDM implements a hardware ECC scheme, based on the BCH algorithm, to achieve up to 8/15 bit correction per 512 bytes.

### 3.2 Bad Block Management

---

Although bad blocks on the flash media are already identified by the flash manufacturer, they can also be accumulated over time during operation. The controller of SDM maintains a table that lists those normal blocks with disk data, the free blocks for wear leveling, and bad blocks with errors. When a normal block is detected broken, it is replaced with a free block and listed as a bad block. When a free block is detected broken, it is then removed from the free block list and marked as a bad block.

During device operation, this ensures that newly accumulated bad blocks are transparent to the host. The device will stop file write service once there are only two free blocks left such that the read function is still available for copying the files from the disk into another.

### 3.3 Wear Leveling

---

The NAND flash devices are limited by a certain number of write cycles. When using a FAT-based file system, frequent FAT table updates are required. If some area on the flash wears out faster than others, it would significantly reduce the lifetime of the whole SSD, even if the erase counts of others are far from the write cycle limit. Thus, if the write cycles can be distributed evenly across the media, the lifetime of the media can be prolonged significantly. This scheme is called wear leveling.

Apacer's wear-leveling scheme is achieved both via buffer management and Apacer-specific global wear leveling. They both ensure that the lifetime of the flash media can be increased, and the disk access performance is optimized as well.

### 3.4 Power Failure Management

---

The Low Power Detection on the controller initiates cached data saving before the power supply to the device is too low. This feature prevents the device from crash and ensures data integrity during an unexpected blackout. Once power was failure before cached data writing back into flash, data in the cache will lost. The next time the power is on, the controller will check these fragmented data segment, and, if necessary, replace them with old data kept in flash until programmed successfully.

### 3.5 Quick Erase

---

Accomplished by the Secure Erase (SE) command, which added to the open ANSI standards that control disk drives, "Quick Erase" is built into the disk drive itself and thus far less susceptible to malicious software attacks than external software utilities. It is a positive easy-to-use data destroy command, amounting to electronic data shredding. Executing the command causes a drive to internally completely erase all possible user data. This command is carried out within disk drives, so no additional software is required. Once executed, neither data nor the erase counter on the device would be recoverable, which blurs the accuracy of

---

device lifespan. The process to erase will not be stopped until finished while encountering power failure, and will be continued when power is back on.

### **3.6 S.M.A.R.T. Technology**

---

S.M.A.R.T. is an acronym for Self-Monitoring, Analysis and Reporting Technology, an open standard allowing disk drives to automatically monitor their own health and report potential problems. It protects the user from unscheduled downtime by monitoring and storing critical drive performance and calibration parameters. Ideally, this should allow taking proactive actions to prevent impending drive failure.

Apacer SMART feature follows the SATA Rev. 2.5, ATA/ATAPI-7 specifications, using the standard SMART command B0h to read data from the drive. And based on the SFF-8035i Rev. 2.0 specifications, Apacer SMART defines 3 vendor-specified SMART Attribute IDs (E5h, E8h-EFh, and F3h) in the SDM. They represent Flash ID, good block count, free-list block count, maximum erase count, average erase count, and firmware version information. When the Apacer SMART Utility running on the host, it analyzes and reports the disk status to the host before the SDM is in critical condition.

## 4. Environmental Specifications

### 4.1 Environments

The SDM environmental specifications follow the US Military Standard MIL-STD-810F, as shown in Table 4-1.

**Table 4-1** SDM environmental specifications (plan)

Environment		Specification
Temperature	Operation	0°C to 70°C
	Storage	-40°C to 100°C
Humidity		5% to 95% RH (Non-condensing)
Vibration		Sine wave: 5~55~5 Hz (X, Y, Z) Random: 10-2000 Hz, 16.3 G (X, Y, Z)
Shock		Acceleration: 1,500 G, 0.5 ms Peak acceleration: 50 G, 11 ms

## 5. Electrical Specification

**Caution: Absolute Maximum Stress Ratings** – (Applied conditions greater than those listed under “Absolute Maximum Stress Ratings” may cause permanent damage to the device. This is a stress rating only and functional operation of the device at these conditions or conditions greater than those defined in the operational sections of this data sheet is not implied. Exposure to absolute maximum stress rating conditions may affect device reliability.

**Table 5-1:** Operating voltage

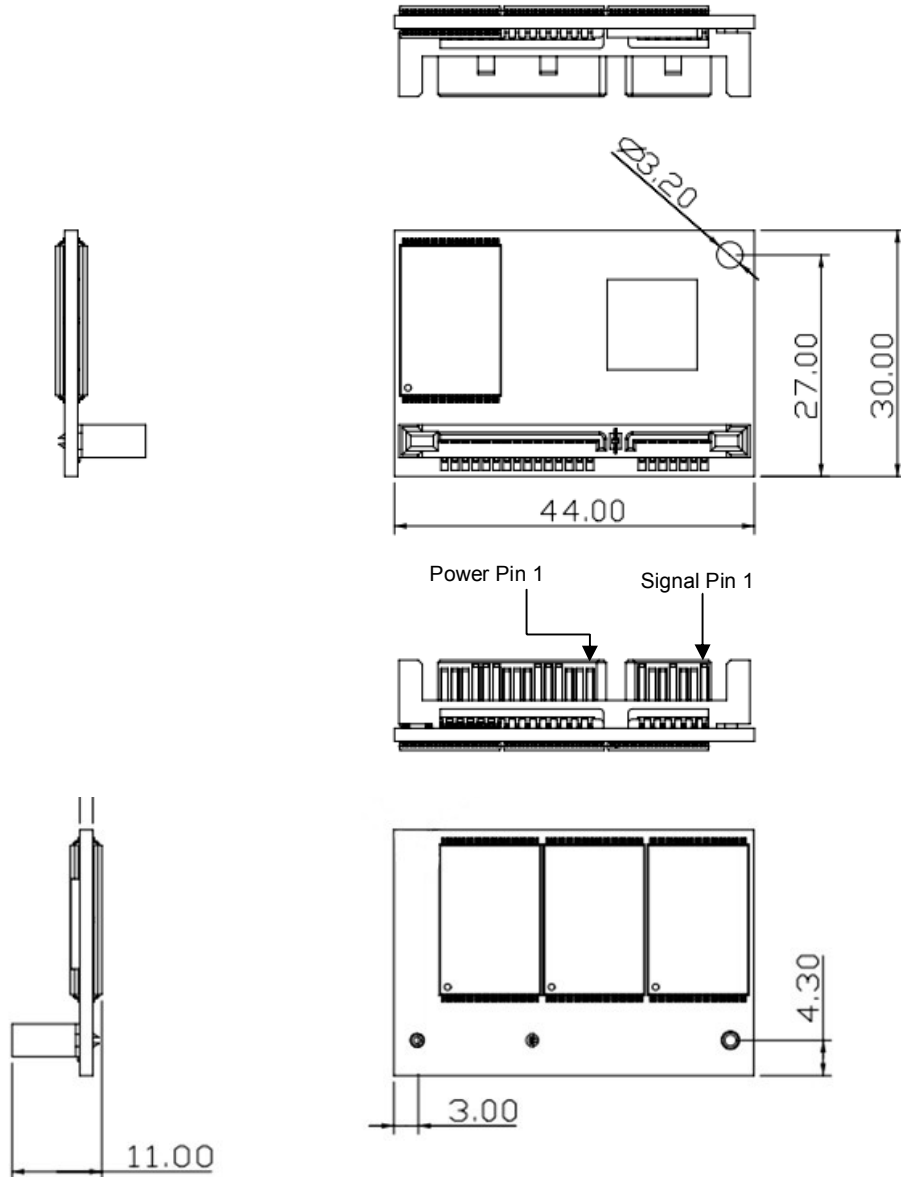
Range	Ambient Temperature	5V
Standard	0°C to 70°C	4.5-5.5V

**Table 5-2:** Absolute maximum power pin stress ratings

Parameter	Symbol	Conditions
Input Power	$V_{DD}$	-0.3V min. to 6.5V max.
Voltage on any pin except $V_{DD}$ with respect to GND	V	-0.5V min. to $V_{DD} + 0.5V$ max.

## 6. Physical Characteristics

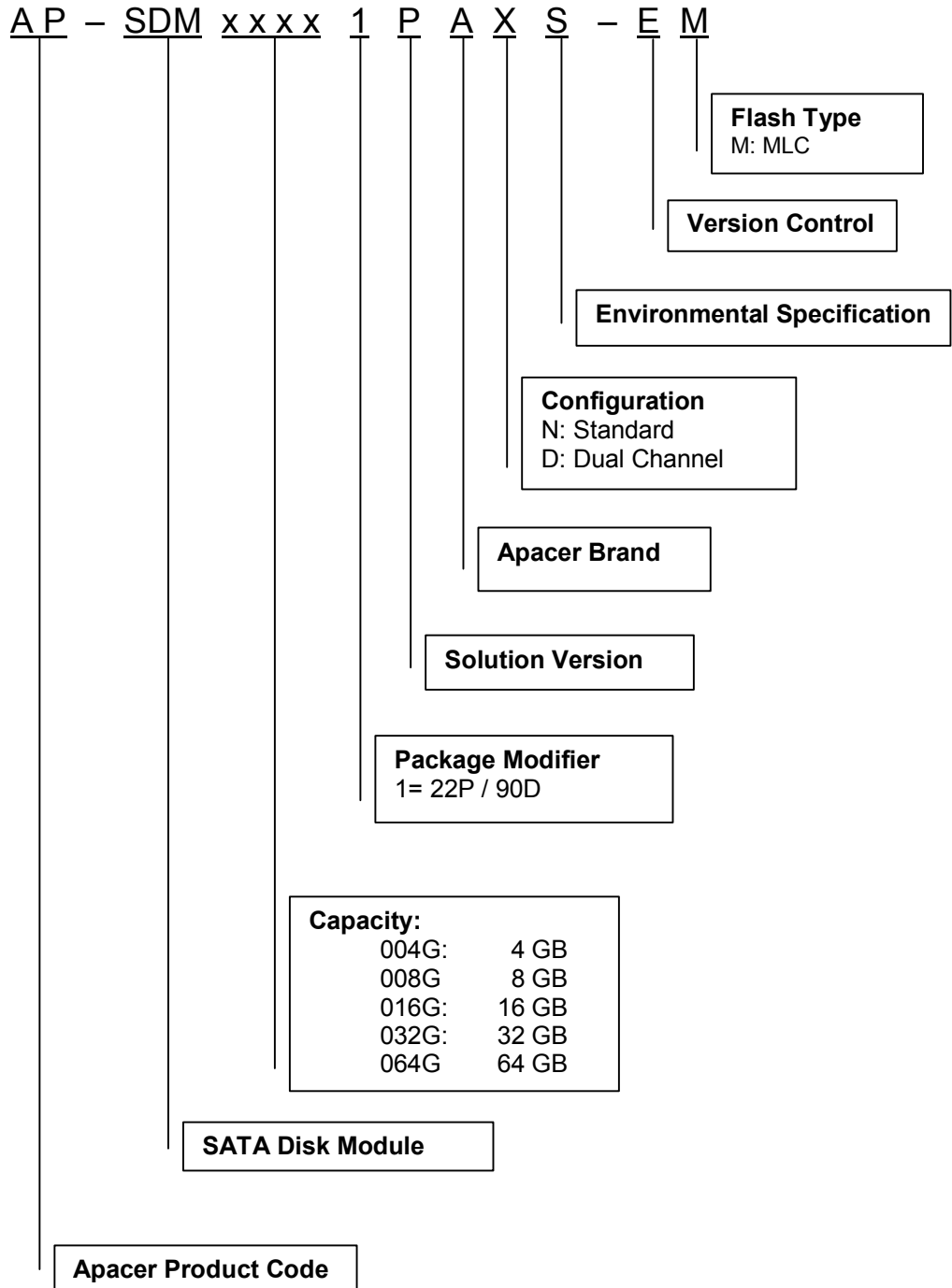
### 6.1 Dimension



Unit: mm  
Tolerance:  $\pm 0.25$

## 7. Product Ordering Information

### 7.1 Product Code Designations



---

## 7.2 Valid Combinations

---

### Standard type

Capacity	Model Number
4GB	AP-SDM004G1PANS-EM
8GB	AP-SDM008G1PANS-EM
16GB	AP-SDM016G1PANS-EM
32GB	AP-SDM032G1PANS-EM
64GB	AP-SDM064G1PANS-EM

### High Speed type

Capacity	Model Number
4GB	AP-SDM004G1PADS-EM
8GB	AP-SDM008G1PADS-EM
16GB	AP-SDM016G1PADS-EM
32GB	AP-SDM032G1PADS-EM

**Note:** Valid combinations are those products in mass production or will be in mass production. Consult your Apacer sales representative to confirm availability of valid combinations and to determine availability of new combinations.

---

## Revision History

Revision	Date	Description	Remark
0.1	10/08/2009	Preliminary	
1.0	10/26/2009	Official release	
1.1	01/25/2010	Updated all performance figures	



---

## Global Presence

<b>Taiwan (Headquarters)</b>	<b>Apacer Technology Inc.</b> 4 <sup>th</sup> Fl., 75 Xintai 5 <sup>th</sup> Rd., Sec.1 Hsichih, 221 Taipei Hsien Taiwan, R.O.C. Tel: +886-2-2698-2888 Fax: +886-2-2698-2889 <a href="mailto:amtsales@apacer.com">amtsales@apacer.com</a>
<b>U.S.A.</b>	<b>Apacer Memory America, Inc.</b> 386 Fairview Way, Suite102, Milpitas, CA 95035 Tel: 1-408-518-8699 Fax: 1-408-935-9611 <a href="mailto:sa@apacerus.com">sa@apacerus.com</a>
<b>Japan</b>	<b>Apacer Technology Corp.</b> 5F, Matsura Bldg., Shiba, Minato-Ku Tokyo, 105-0014, Japan Tel: 81-3-5419-2668 Fax: 81-3-5419-0018 <a href="mailto:jpservices@apacer.com">jpservices@apacer.com</a>
<b>Europe</b>	<b>Apacer Technology B.V.</b> Europalaan 89 5232 BC 'S-Hertogenbosch The Netherlands Tel: 31-73-645-9620 Fax: 31-73-645-9629 <a href="mailto:sales@apacer.nl">sales@apacer.nl</a>
<b>China</b>	<b>Apacer Electronic (Shanghai) Co., Ltd</b> 1301, No.251,Xiaomuqiao Road, Shanghai, 200032, China Tel: 86-21-5529-0222 Fax: 86-21-5206-6939 <a href="mailto:sales@apacer.com.cn">sales@apacer.com.cn</a>
<b>India</b>	<b>Apacer Technologies Pvt. Ltd.</b> #143, 1st Floor, Raheja Arcade, 5th Block Kormangala Industrial Layout, Bangalore - 560095, India Tel: 91-80-4152-9061 <a href="mailto:sales_india@apacer.com">sales_india@apacer.com</a>

# Mouser Electronics

Authorized Distributor

Click to View Pricing, Inventory, Delivery & Lifecycle Information:

[Apacer:](#)

[AP-SDM004G1PADS-EM](#) [AP-SDM008G1PADS-EM](#) [AP-SDM016G1PADS-EM](#) [AP-SDM032G1PADS-EM](#) [AP-SDM064G1PANS-EM](#)