

# REPOT

ELECTRONIC POTENTIOMETER

**RECOM**  
LIGHTING



CERTIFICATION		INPUT	LOAD TYPE	PROTECTION	MODEL	POWER			
CE	✓	115VAC	✗	Electronic Ballasts	✓	Over-Voltage	✗	REPOT01-10	40mA max.
UL	✗	230VAC	✓	1-10V Dimmable LED Drivers	✓	Short-Circuit	✗		
EN	✗	277VAC	✗			Over-Load	✓		
EMC	✓	AC or DC	✗			Over-Temp.	✓		

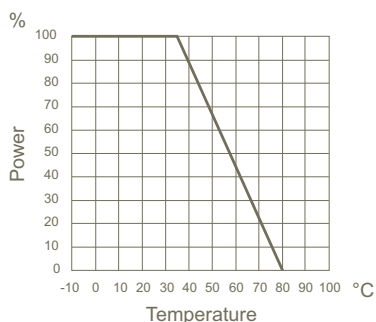
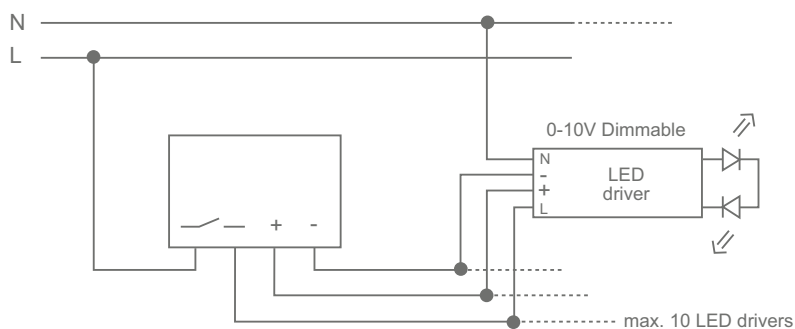
## MECHANICAL CHARACTERISTICS

Size	71.5 x 71.5 x 35mm
Weight	70g
Connection	wires from 1.5mm <sup>2</sup> up to 2.5m <sup>2</sup>

## TEMPERATURE CHARACTERISTICS

Operating Temperature	-10°C to +80°C (derating)
Ambient Temperature (T <sub>c</sub> )	80°C max.

## INSTALLATION



# Mouser Electronics

Authorized Distributor

Click to View Pricing, Inventory, Delivery & Lifecycle Information:

[RECOM:](#)

[REPOT01-10](#)