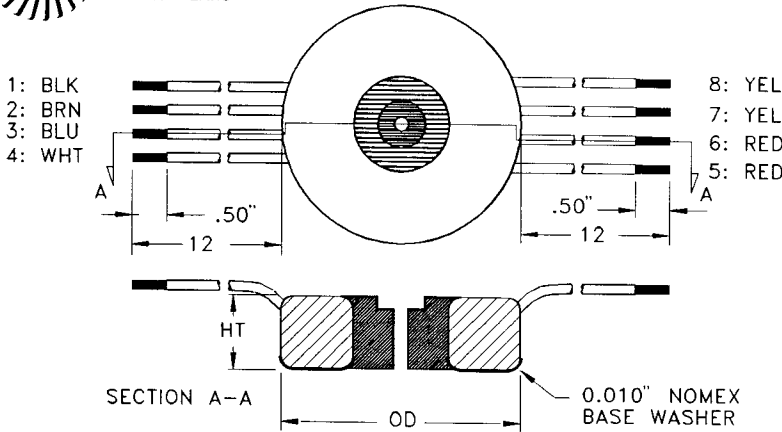




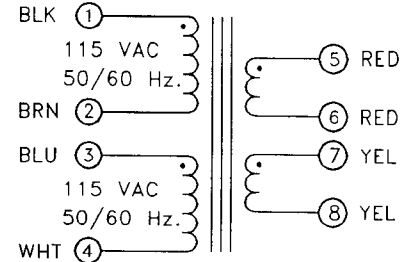
# LARGEST SELECTION OF HEAVY DUTY 50/60 Hz. TOROIDAL POWER TRANSFORMERS.



For Line Voltage	115V	230V
Apply Input To:	1 & 2	1 & 4
Connect	1 to 3 and 2 to 4	2 to 3

208, 220 OR 240VAC  
PRIMARY ON REQUEST

PIN NUMBERS ARE  
FOR REFERENCE ONLY.



Part Number	Load Voltage	Load Current	Part Number	Load Voltage	Load Current	Part Number	Load Voltage	Load Current	Part Number	Load Voltage	Load Current	Part Number	Load Voltage	Load Current		
<b>6VA Series, 2.2" x 1.1"</b> 0.44#, 19% regulation.			<b>40VA Series, 3.2" x 1.3"</b> 1.5 #, 15% regulation.			<b>100VA Series, 3.8" x 1.4"</b> 2.5#, 16% regulation.			<b>250VA Series, 4.8" x 2.0"</b> 6.2#, 8% regulation.			<b>600VA Series, 6.0" x 2.7"</b> 13.2#, 5% regulation.				
2001	9	0.67	2101	9	4.44	2161	9	11.11	2222	12	20.83	2285	24	25.00		
2002	12	0.50	2102	12	3.33	2162	12	8.33	2223	15	16.67	2286	28	21.42		
2003	15	0.40	2103	15	2.67	2163	15	6.66	2224	18	13.89	2287	115	5.22		
2004	18	0.33	2104	18	2.22	2164	18	5.55	2225	24	10.41	2289	2X12	25.00		
2005	24	0.25	2105	24	1.67	2165	24	4.17	2226	28	8.93	2290	2X15	20.00		
2006	28	0.21	2106	28	1.43	2166	28	3.57	2227	115	2.17	2291	2X18	16.67		
<b>8VA Series, 2.4" x 1.1"</b> 0.53#, 18% regulation.			2107	115	0.35	2167	115	0.87	2228	2X9	13.88	2292	2X24	12.50		
2021	9	0.88	2108	2X9	2.22	2168	2X9	5.56	2229	2X12	10.41	2293	2X28	10.71		
2022	12	0.67	2109	2X12	1.67	2169	2X12	4.17	2230	2X15	8.33	2294	2X48	6.25		
2023	15	0.53	2110	2X15	1.33	2170	2X15	3.33	2231	2X18	6.94	2295	2X57.5	5.22		
2024	18	0.44	2111	2X18	1.11	2171	2X18	2.78	2232	2X24	5.20	2296	2X115	2.61		
2025	24	0.33	2112	2X24	0.83	2172	2X24	2.08	2233	2X28	4.46	<b>800VA Series, 6.8" x 2.7"</b> 16.8#, 4% regulation.				
2026	28	0.28	2113	2X28	0.71	2173	2X28	1.79	2234	2X48	2.60	2307	115	6.96		
<b>12VA Series, 2.5" x 1.1"</b> 0.72#, 15% regulation.			2114	2X48	0.42	2174	2X48	1.04	2235	2X57.5	2.17	2311	2X18	22.22		
2041	9	1.33	2115	2X57.5	0.35	2175	2X57.5	0.87	2236	2X115	1.09	2312	2X24	16.67		
2042	12	1.00	2116	2X115	0.17	2176	2X115	0.43	<b>320VA Series, 5.2" x 2.2"</b> 8.1#, 6% regulation.			2313	2X28	14.28		
2043	15	0.80	<b>60VA Series, 3.3" x 1.4"</b> 1.9#, 13% regulation.			<b>120VA Series, 4.2" x 1.5"</b> 3.3#, 13% regulation.			2243	15	21.33	2314	2X48	8.33		
2044	18	0.67	2121	9	6.66	2181	9	13.33	2244	18	17.78	2315	2X57.5	6.96		
2045	24	0.50	2122	12	5.00	2182	12	10.00	2245	24	13.33	2316	2X115	3.48		
2046	28	0.43	2123	15	4.00	2183	15	8.00	2246	28	11.42	<b>1.2kVA Series, 7.1" x 3.4"</b> 22 #, 4% regulation.				
2047	2X9	0.67	2124	18	3.33	2184	18	6.66	2247	115	2.78	2327	115	10.43		
2048	2X12	0.50	2125	24	2.50	2185	24	5.00	2248	2X9	17.77	2332	2X24	25.00		
2049	2X15	0.40	2126	28	2.14	2186	28	4.29	2249	2X12	13.33	2333	2X28	21.42		
2050	2X18	0.33	2127	115	0.52	2187	115	1.04	2250	2X15	10.67	2334	2X48	12.50		
2051	2X24	0.25	2128	2X9	3.33	2188	2X9	6.66	2251	2X18	8.89	2335	2X57.5	10.43		
2052	2X28	0.21	2129	2X12	2.50	2189	2X12	5.00	2252	2X24	6.67	2336	2X115	5.22		
<b>20VA Series, 2.8" x 1.2"</b> 0.92#, 16% regulation.			2130	2X15	2.00	2190	2X15	4.00	<b>400VA Series, 5.5" x 2.3"</b> 9.4 #, 6% regulation.			<b>2.0kVA Series, 7.8" x 4.4"</b> 36 #, 3% regulation.				
2061	9	2.22	2131	2X18	1.66	2191	2X18	3.33	2264	18	22.22	2347	115	17.39		
2062	12	1.67	2132	2X24	1.25	2192	2X24	2.50	2265	24	16.67	2354	2X48	20.83		
2063	15	1.33	2133	2X28	1.07	2193	2X28	2.14	2266	28	14.28	2355	2X57.5	17.39		
2064	18	1.11	2134	2X48	0.63	2194	2X48	1.25	2267	115	3.48	2356	2X115	8.70		
2065	24	0.83	2135	2X57.5	0.52	2195	2X57.5	1.04	2268	2X9	22.22	<b>5.0kVA Series, 10.5" x 5.0"</b> 77 #, 2% regulation.				
2066	28	0.71	2136	2X115	0.26	2196	2X115	0.52	2269	2X12	16.67	2376	2X115	21.74		
2067	2X9	1.11	<b>80VA Series, 3.8" x 1.4"</b> 2.5 #, 13% regulation.			<b>160VA Series, 4.5" x 1.9"</b> 4.9 #, 8% regulation.			<b>7.5kVA Series, 11.7" x 6.0"</b> 116 #, 2% regulation.			2396	2X115	32.51		
2068	2X12	0.83	2141	9	8.88	2201	9	17.77	<b>400VA Series, 5.5" x 2.3"</b> 9.4 #, 6% regulation.			<b>2396</b>			2X115	32.51
2069	2X15	0.67	2142	12	6.66	2202	12	13.33	2264	18	22.22	<b>2396</b>			2X115	32.51
2070	2X18	0.555	2143	15	5.33	2203	15	10.66	2265	24	16.67	<b>2396</b>			2X115	32.51
2071	2X24	0.42	2144	18	4.44	2204	18	8.88	2266	28	14.28	<b>2396</b>			2X115	32.51
2072	2X28	0.36	2145	24	3.33	2205	24	6.66	2267	115	3.48	<b>2396</b>			2X115	32.51
<b>25VA Series, 2.8" x 1.3"</b> 1.1 #, 15% regulation.			2146	28	2.86	<b>400VA Series, 5.5" x 2.3"</b> 9.4 #, 6% regulation.			2268	2X9	22.22	<b>2396</b>			2X115	32.51
2081	9	2.78	2147	115	0.70	<b>400VA Series, 5.5" x 2.3"</b> 9.4 #, 6% regulation.			2269	2X12	16.67	<b>2396</b>			2X115	32.51
2082	12	2.08				<b>400VA Series, 5.5" x 2.3"</b> 9.4 #, 6% regulation.			<b>2396</b>			2X115	32.51			
2083	15	1.67				<b>400VA Series, 5.5" x 2.3"</b> 9.4 #, 6% regulation.			<b>2396</b>			2X115	32.51			
2084	18	1.39				<b>400VA Series, 5.5" x 2.3"</b> 9.4 #, 6% regulation.			<b>2396</b>			2X115	32.51			
2085	24	1.04				<b>400VA Series, 5.5" x 2.3"</b> 9.4 #, 6% regulation.			<b>2396</b>			2X115	32.51			

**IMPORTANT NOTES.**

- All transformers have been designed for 50/60 Hz.
- 60 Hz TO 400 kHz. Designs available upon request.
- Custom designs tailored to your specs are made & evaluated on a 2 wk. cycle.
- 100% electrostatic shielding available on all transformers with a small power derating.
- Magnetic shielding & lower magnetic leakage designs for sensitive areas such as encountered in computers & audio equipment are available on all transformers.
- Low profile designs are available upon request.
- Amecon has the world's most complete toroidal mfg. facilities. We can machine wind toroids in excess of 50" dia & 2000 LB.

AMECS00020