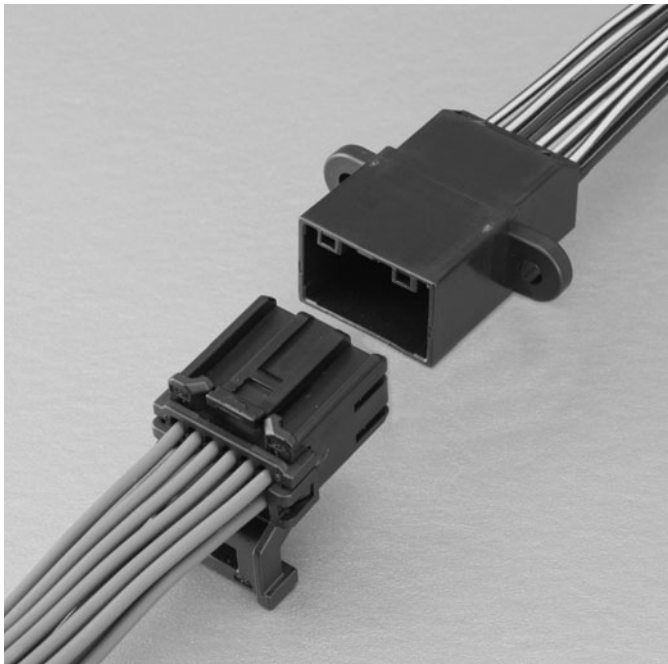


ARV CONNECTOR

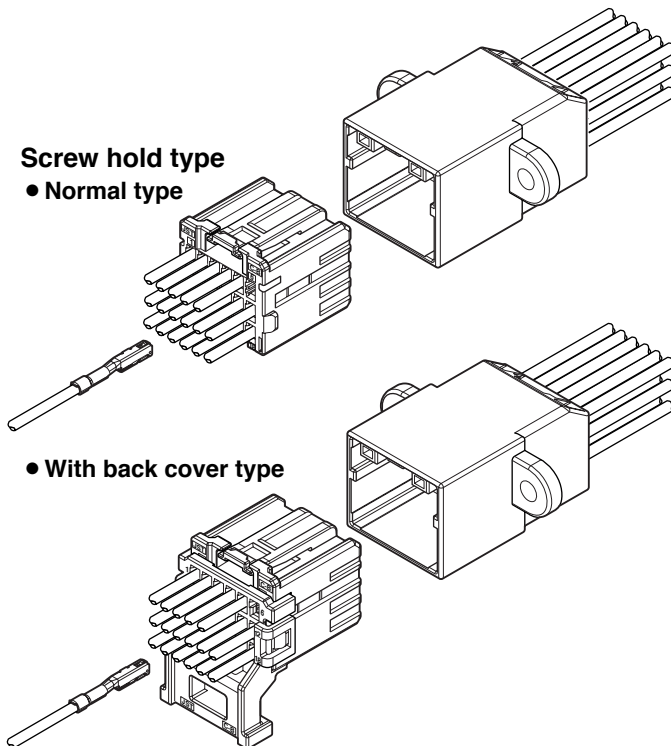
Wire-to-wire



0.64 Unsealed wire-to-wire connection system for unsealed applications, requiring Automotive durability.

Features

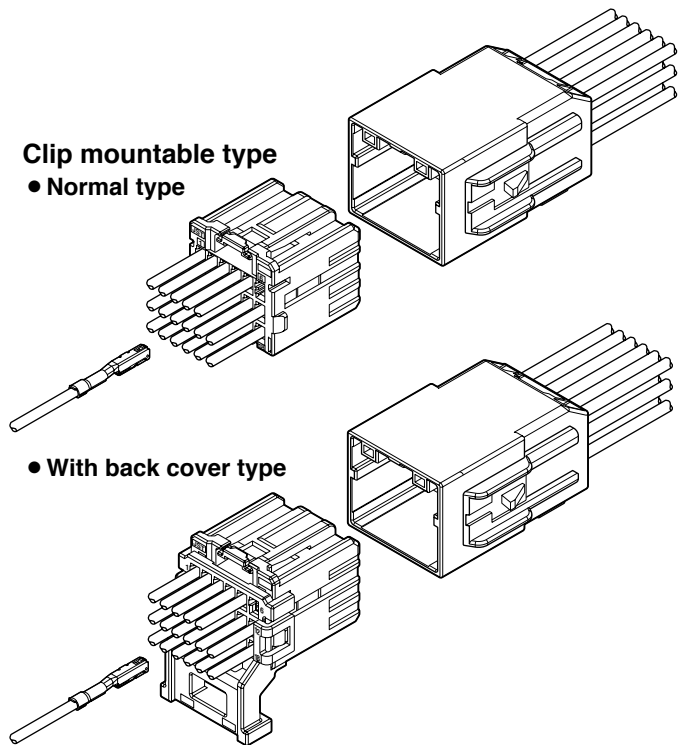
- 12 Circuits, 18 Circuits and 22 Circuits Wire-to-Wire Connection
- Optional Wire Routing Attachment (to optimize packaging space)
- Versatile Mounting Options
- Latch Overstress Feature
- Both Female and Male Connectors utilize Independent Secondary Lock for Terminal retention



Screw hold type

- Normal type

- With back cover type



Clip mountable type

- Normal type

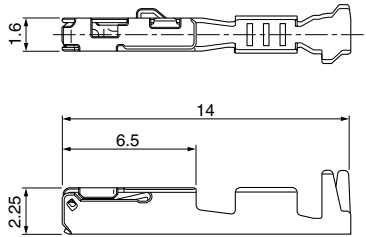
- With back cover type

Specifications

- Current rating: 5A DC max.
- Voltage rating: 14V DC
- Temperature range: -40°C to +125°C
(including temperature rise in applying electrical current)
- Contact resistance: Initial value/15mΩ max.
After environmental testing/15mΩ max.
- Insulation resistance: 100MΩ min.
- Applicable Wire: TXL/ ISO 0.35mm² to 0.75mm²
O.D. ≤ 1.9mm (AWG#22 to #20)
(Female Terminal)
ISO 0.35mm² to 0.5mm²
O.D. ≤ 1.7mm (AWG#22 to #20)
(Male Terminal)

- * Compliant with ELV/RoHS.
- * Contact JST for details.

Female terminal



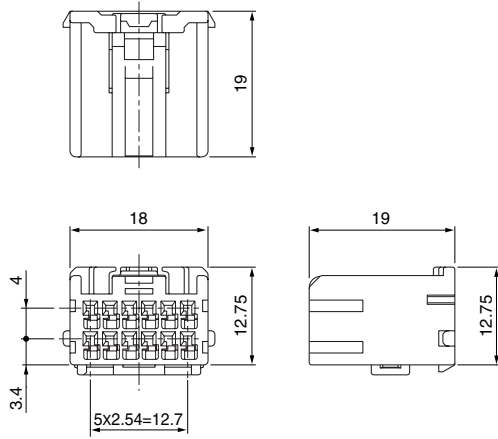
Model No.	Applicable wire range		Q'ty/reel
	Conductor (mm ²)	Insulation O.D. (mm)	
SAIT-A03T-M064	0.35 to 0.5	≤1.9	6,500
SAIT-A02T-M064	0.75	≤1.9	6,500

Material and Finish

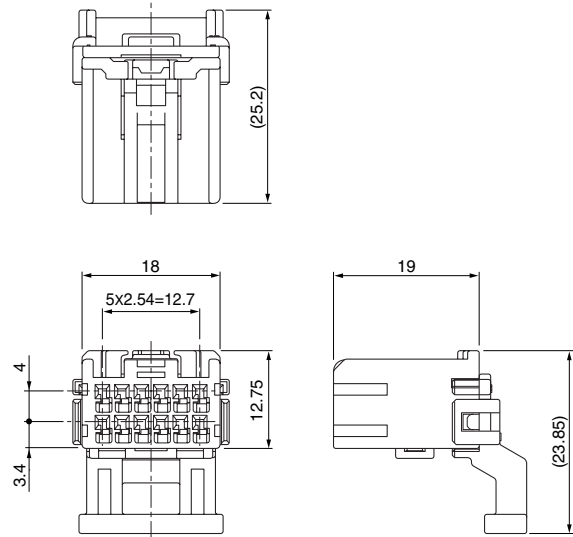
Copper alloy, tin-plated (reflow treatment)

Female connector

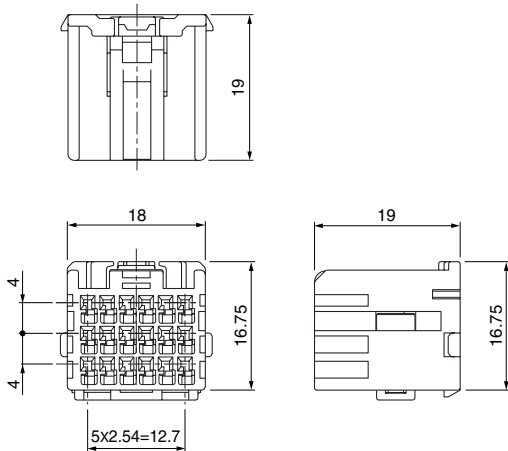
• 12 circuits



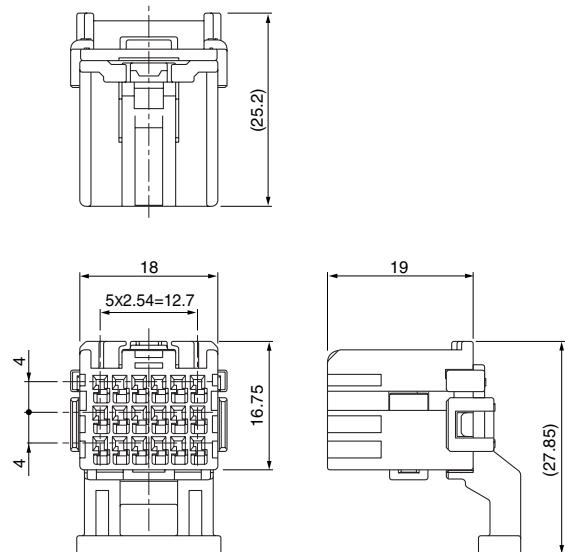
• 12 circuits (With back cover)



• 18 circuits



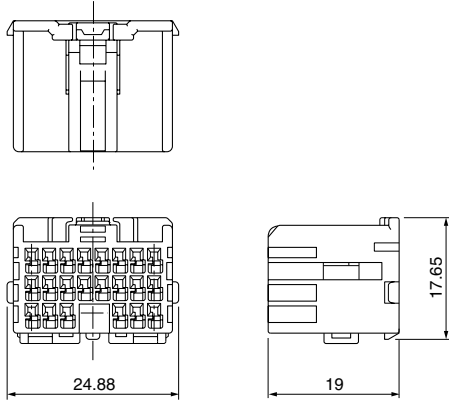
• 18 circuits (With back cover)



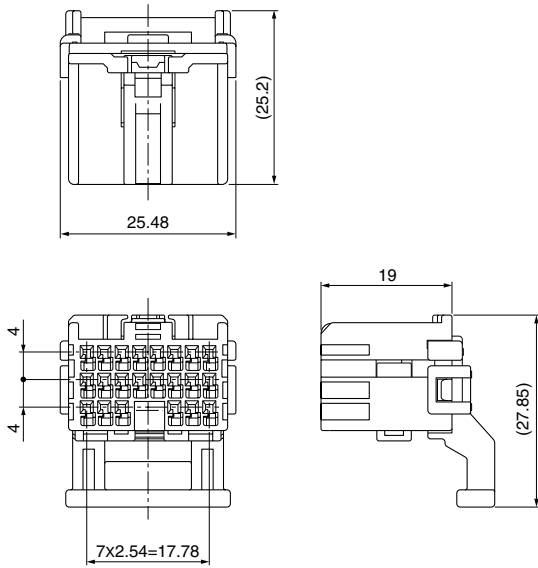
ARV CONNECTOR

Female Connector

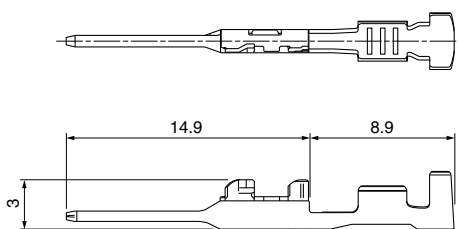
● 22 circuits



● 22 circuits (With back cover)



Male terminal



Circuits	Model No.	Back Cover	Q'ty/box
12	ARVPB-12-2AK	No	1,500
	ARVPB-12C12-2AK	Yes	1,500
18	ARVPB-18-3AK	No	1,000
	ARVPB-18C18-3AK	Yes	1,000
22	ARVPB-22-3AK	No	Note)
	ARVPB-22C22-3AK	Yes	Note)

Material

Housing: PBT, black
 TPA: Glass-filled PBT, natural (white)
 Back cover: Glass-filled PBT, black

Note: Contact JST for details.

Model No.	Applicable wire range		Q'ty/reel
	Conductor (mm ²)	Insulation O.D. (mm)	
SNAC3W-A021T-0.64	0.35 to 0.5	≤1.7	7,000

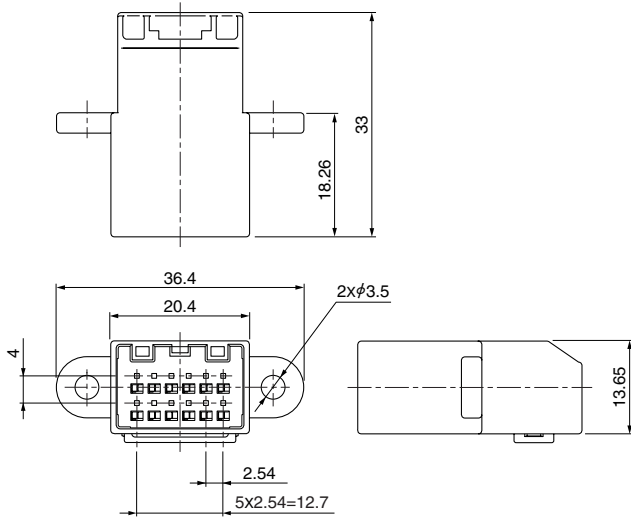
Material and Finish

Brass, tin-plated (reflow treatment)

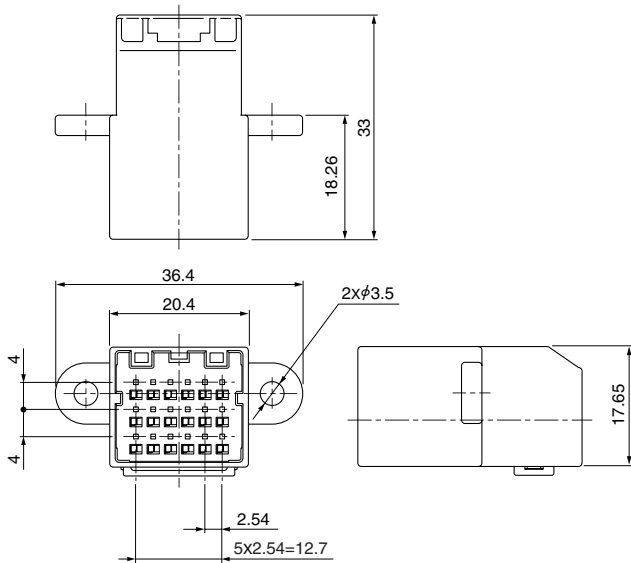
Male connector

Screw hole type

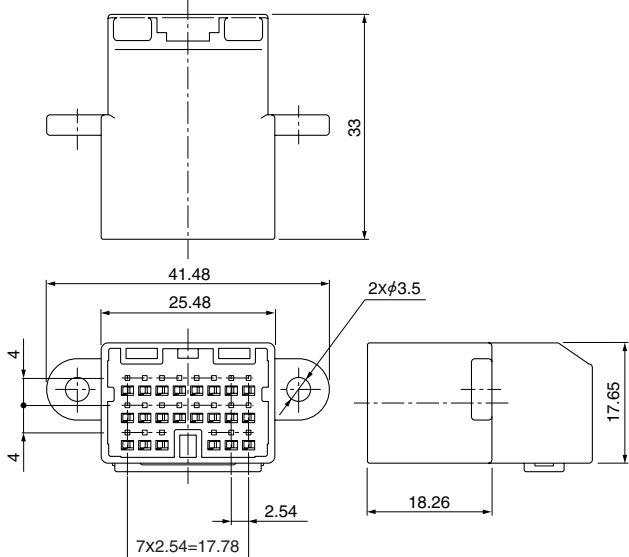
● 12 circuits (ARVWSB-12-2AK)



● 18 circuits (ARVWSB-18-3AK)

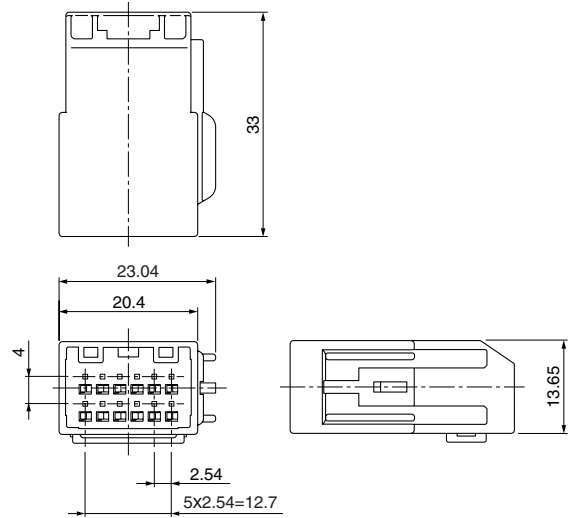


● 22 circuits (ARVWSB-22-3AK)

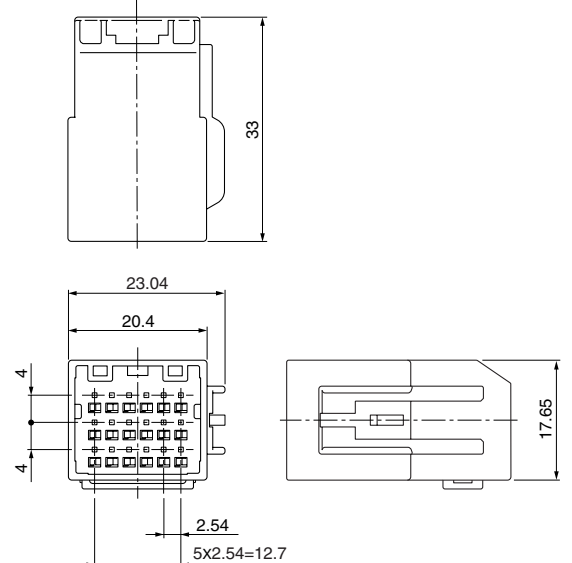


Clip mountable type

● 12 circuits (ARVWSB-12C-2AK)



● 18 circuits (ARVWSB-18C-3AK)



Circuits	Model No.	Clip mountable	Q'ty/box
12	ARVWSB-12-2AK	No	1,000
	ARVWSB-12C-2AK	Yes	1,000
18	ARVWSB-18-3AK	No	750
	ARVWSB-18C-3AK	Yes	750
22	ARVWSB-22-3AK	No	Note)

Material

Housing: Glass-filled PBT, black
PBT, black (22 only)

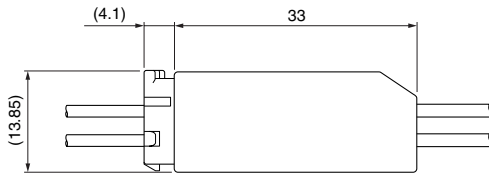
TPA: Glass-filled PBT, natural (white)

Note: Contact JST for details.

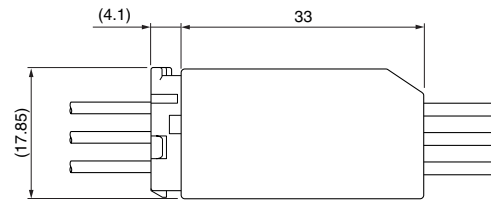
ARV CONNECTOR

Assembly layout

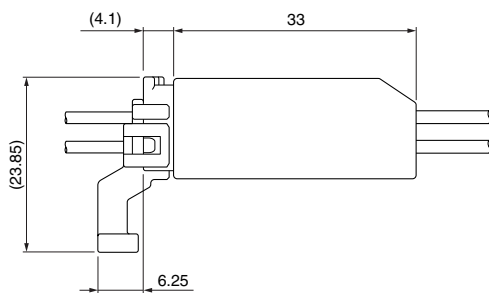
• 12 circuits



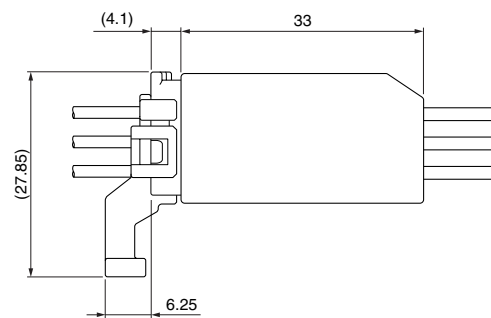
• 18, 22 circuits



• 12 circuits (With back cover)



• 18, 22 circuits (With back cover)



Crimping machine, Applicator

Strip terminal	Crimping machine	Crimp applicator MKS-L	
		Dies	Crimp applicator with dies
SAIT-A03()-M064	AP-K2N	MK/SAIT-A03-064	APLMK SAIT-A03-064
SAIT-A02()-M064		MK/SAIT-A02-064	APLMK SAIT-A02-064
SNAC3W-A021()-0.64		MK/SNAC3W-A021-064	APLMK SNAC3W-A021-064

Note: When crimping operation is conducted using an applicator and die set other than the above, JST cannot guarantee the performance of the terminal.

Mouser Electronics

Authorized Distributor

Click to View Pricing, Inventory, Delivery & Lifecycle Information:

JST:

[SNAC3W-A021T-0.64](#) [ARVPB-12-2AK](#) [ARVWSB-12C-2AK](#) [ARVWSB-18C-3AK](#) [ARVPB-18C18-3AK](#) [ARVPB-18-3AK](#) [ARVPB-12C12-2AK](#) [ARVWSB-12-2AK](#) [ARVWSB-18-3AK](#)