

### Ethernet Transmission

The OTS-1ETR provides auto-sensing digital transmission of 1 Channel of 10/100 Ethernet.

Video

### System Design

All units come in an insert card version. The cards can be inserted into our 16-slot, 19" rack-mountable card cage (OT-CC-16-100) or one of our smaller Optiva™ Desktop Card Racks (OT-DTCR Series).

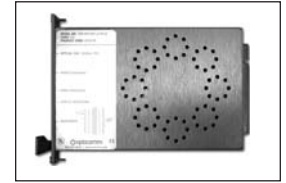
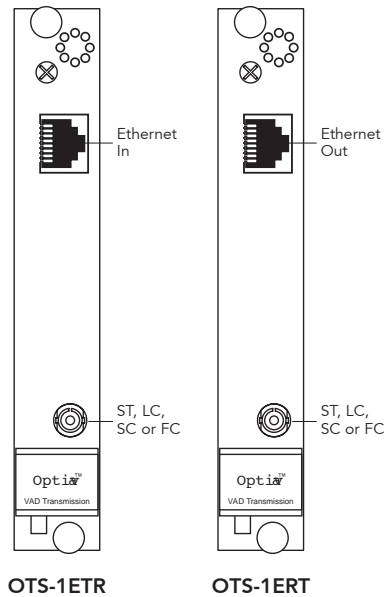
Audio

The Optiva™ Desktop Card Racks can handle one, two or four insert cards, creating compact, mountable, stand alone systems. The use of separate OT-DTCR enclosures allows for future flexibility and expansion as all cards are hot-swappable and can be used in any enclosure. Each one of our card housing units operate with an appropriate power supply. See "Accessories" for power supply specifications.

Data



Ethernet



Each insert card comes with a label identifying the specific protocols handled, connector pin-out and other vital information.

For optimal bandwidth allocation, each insert card can daisy-chain with an additional card in the same chassis. See "Optiva™ Upgrade Path".

### Features

- Uncompressed 10/100 Ethernet over one fiber
- TDM - Single fiber, dual wavelength
- Compatible with MDM-7000 Series for WDM and CWDM multiplexing
- No EMI or RFI and no ground loops
- Stand alone or rack-mount

### Optiva™ Upgrade Path

This system can be purchased without an optical port as an add-on to an existing Optiva™ system daisy-chain. (See "Non-Optical Version" below).

The Optiva™ bandwidth requirement of this system is 172 Mbps.

### Versions Available\*

Wavelength (nm) & Fiber	Transmit/Receive**	Receive/Transmit**	Optical Connector	Optical Budget (dB)	Range*** (km)	Form Factor
1310/1550 Multimode	OTS-1ETR-A2/A3M-XX-IC	OTS-1ERT-A3M/A2-XX-IC	ST, FC, LC or SC	10	3	IC (1-slot)
1310/1550 Singlemode	OTS-1ETR-A2/A3-XX-IC	OTS-1ERT-A3/A2-XX-IC	ST, FC, LC or SC	12	20	IC (1-slot)
1310/1550 SM (b)	OTS-1ETR-A2/A3D-XX-IC	OTS-1ERT-A3D/A2-XX-IC	ST, FC, LC or SC	17	40	IC (1-slot)
1310/1550 SM (H)	OTS-1ETR-A2/A3H-XX-IC	OTS-1ERT-A3H/A2-XX-IC	ST, FC, LC or SC	25	60	IC (1-slot)
1270-1610 SM (CWDM)	OTS-1ETR-L4/L4-XX-IC	OTS-1ERT-L4/L4-XX-IC	ST, FC, LC or SC	Varies	20-70	IC (1-slot)
<b>Non-Optical Version</b>	OTS-1ETR-NOC-IC	OTS-1ERT-NOC-IC	N/A	N/A	N/A	IC (1-slot)

\* Contact Opticomm for other versions available.

\*\* XX indicates the type of optical connector. Each of ST, FC, LC or SC are available.

\*\*\* Chromatic dispersion and additional losses should be taken into account.

# Data (Ethernet/Serial/USB)

## Data

Standard	Ethernet IEEE 802.3 (Auto-Negotiation)
Data Rate	10/100 Mbps
Connector	RJ-45

## General

Dimensions & Weight	Insert Card (IC): 6.3" L x 0.8" W x 4.0" H	11 oz
Operating temperature	-20° C to +55° C	
Storage temperature	-40° C to +85° C	
Humidity	0 to 95% non-condensing	
Operating voltage	9-12 V <sub>DC</sub>	
Consumption	1 Amp Max per Insert Card	
System Latency	Less than 1ms	

## Local Monitoring

LED Status Indication

## Remote Monitoring

Compatible with OptivaView™  
SNMP Management Suite

Optiva™ Configurable  
Communication Platform

Network Management

SDI & HD-SDI

Composite Video,  
Audio & Data

RGB/VGA/DVI

Audio/FSK/Intercom

Data (Ethernet/Serial/USB)

CATV/RF & L-Band

Optical Switching, Routing  
& Redundancy

Passive Multiplexing  
Solutions

Enclosures, Racks  
& Frames

Power Supplies  
& Accessories

**10** **ISO**  
**YEAR** **9001:2000**  
**WARRANTY** **CERTIFIED**



**FCC** PART 15  
COMPLIANT

MADE IN THE USA

## Sample Configuration

